

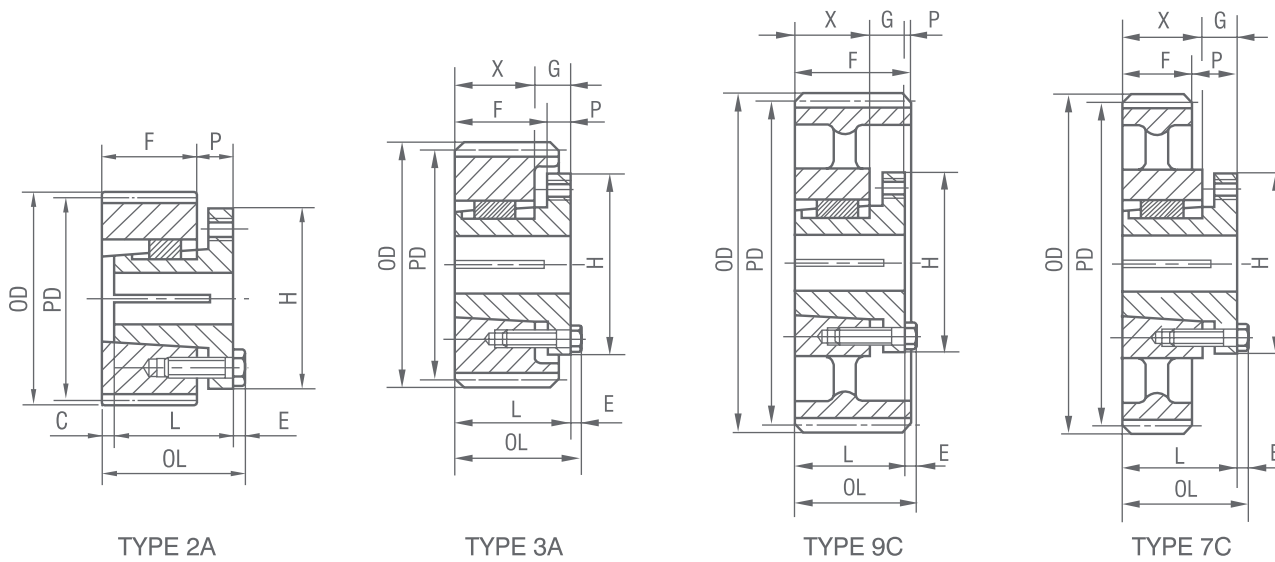


Taper Bore Spur Gears

STL

Steel Stock and Cast Iron

Pressure Angle **14 1/2°**



3DP 3"Face

Part No.	Z	Diameter		Bush	Type	Dimensions									wt Lbs
		PD	OD			F	OL	L	P	C	H	G	X	E	
STL3Q15	15	5.000	5.66	Q ₂	2A	3	41/32	31/2	3/4	1/4	41/8	—	—	9/32	10.5
STL3Q18	18	6.000	6.66	Q ₂	2A	3	41/32	31/2	3/4	1/4	41/8	—	—	9/32	17.8
STL3Q20	20	6.667	7.33	Q ₂	3A	3	325/32	31/2	1/2	—	41/8	3/4	23/4	9/32	22.6
STL3Q21	21	7.000	7.66	Q ₂	3A	3	325/32	31/2	1/2	—	41/8	3/4	23/4	9/32	25.9
STL3Q24	24	8.000	8.66	R ₁	3A	3	35/32	27/8	1/8	—	53/8	7/8	2	9/32	25.8
STL3R30	30	10.000	10.66	R ₁	9C	3	35/32	27/8	1/8	—	53/8	7/8	2	9/32	40.0
STL3R42	42	14.000	14.66	R ₂	9C	3	35/32	27/8	1/8	—	53/8	7/8	2	9/32	56.0
STL3R48	48	16.000	16.66	R ₁	9C	3	35/32	27/8	1/8	—	53/8	7/8	2	9/32	65.5
STL3R54	54	18.000	18.66	R ₁	9C	3	35/32	27/8	1/8	—	53/8	7/8	2	9/32	77.0
STL3R60	60	20.000	20.66	R ₁	9C	3	35/32	27/8	1/8	—	53/8	7/8	2	9/32	87.0
STL3R72	72	24.000	24.66	R ₁	9C	3	35/32	27/8	1/8	—	53/8	7/8	2	9/32	114
STL3S84	84	28.000	28.66	S ₁	7C	3	43/4	43/8	1 3/8	—	63/8	1 1/16	35/16	3/8	151
STL3S96	96	32.00	32.66	S ₁	7C	3	43/4	43/8	1 3/8	—	63/8	1 1/16	35/16	3/8	180
STL3S108	108	36.000	36.66	S ₁	7C	3	43/4	43/8	1 3/8	—	63/8	1 1/16	35/16	3/8	198
STL3S120	120	40.000	40.66	S ₁	7C	3	43/4	43/8	1 3/8	—	63/8	1 1/16	35/16	3/8	244

Bore Range

Bushing	Bore Range
Q ₂	1"-25/8
R ₁	1 1/8"-33/4
S ₁	1 11/16"-4 1/4



Standard Keyseats

Bore Range	Keyway
1"-1 1/4"	1/4"x1/8"
15/16"-13/8	5/16x5/32
17/16"-13/4	3/8x3/16
1 13/16"-2 1/4	1/2x1/4
25/16"-23/4	5/8x5/16
2 13/16"-3 1/4	3/4x3/8
35/16"-33/4	7/8x7/16
3 13/16"-43/8	1x1/2

1 3/8" Bore Bushings Also available with 3/8" x 3/16" Ks

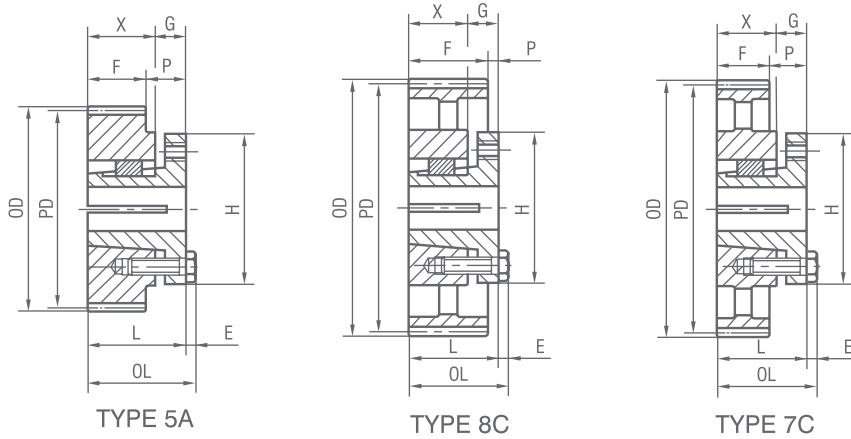


Taper Bore Spur Gears

STL

Steel Stock and Cast Iron

Pressure Angle **14 1/2°**



4DP 2"Face

Part No.	Z	Diameter		Bush	Type	Dimensions									wt	
		PD	OD			F	OL	L	P	C	H	G	X	E	Lbs	
STL4P15	15	3.750	4.25	P2	5A	2	33/16	215/16	15/16	—	3	5/8	25/16	1/4	4.7	
STL4P16	16	4.000	4.50	P2	5A	2	33/16	215/16	15/16	—	3	5/8	25/16	1/4	5.6	
STL4P20	20	5.000	5.50	P2	5A	2	33/16	215/16	15/16	—	3	5/8	25/16	1/4	14.4	
STL4P24	24	6.000	6.50	P2	5A	2	33/16	215/16	15/16	—	3	5/8	25/16	1/4	14.4	
STL4P28	28	7.000	7.50	P2	5A	2	33/16	215/16	15/16	—	3	5/8	25/16	1/4	20.4	
STL4Q30	30	7.500	8.00	Q1	8C	2	225/32	21/2	1/2	—	41/8	3/4	13/4	9/32	16.2	
STL4Q32	32	8.000	8.50	Q1	8C	2	225/32	21/2	1/2	—	41/8	3/4	13/4	9/32	18.1	
STL4Q36	36	9.000	9.50	Q1	8C	2	225/32	21/2	1/2	—	41/8	3/4	13/4	9/32	19.2	
STL4Q40	40	10.000	10.50	Q1	8C	2	225/32	21/2	1/2	—	41/8	3/4	13/4	9/32	25.6	
STL4Q44	44	11.000	11.50	Q1	8C	2	225/32	21/2	1/2	—	41/8	3/4	13/4	9/32	26.8	
STL4Q48	48	12.000	12.50	Q1	8C	2	225/32	21/2	1/2	—	41/8	3/4	13/4	9/32	27.8	
STL4Q54	54	13.500	14.00	Q1	8C	2	225/32	21/2	1/2	—	41/8	3/4	13/4	9/32	31.1	
STL4Q56	56	14.000	14.50	Q1	8C	2	225/32	21/2	1/2	—	41/8	3/4	13/4	9/32	32.3	
STL4Q60	60	15.000	15.50	Q1	8C	2	225/32	21/2	1/2	—	41/8	3/4	13/4	9/32	35.9	
STL4Q64	64	16.000	16.50	Q1	8C	2	225/32	21/2	1/2	—	41/8	3/4	13/4	9/32	39.9	
STL4Q72	72	18.000	18.50	Q1	8C	2	225/32	21/2	1/2	—	41/8	3/4	13/4	9/32	43.3	
STL4R80	80	20.000	20.50	R1	7C	2	35/32	27/8	7/8	—	53/8	7/8	2	9/32	52.5	
STL4R88	88	22.000	22.50	R1	7C	2	35/32	27/8	7/8	—	53/8	7/8	2	9/32	60.3	
STL4R96	96	24.000	24.50	R1	7C	2	35/32	27/8	7/8	—	53/8	7/8	2	9/32	65.5	
STL4R120	120	30.0000	30.50	R1	7C	2	35/32	27/8	7/8	—	53/8	7/8	2	9/32	96.5	
STL4R144	144	36.000	36.50	R1	7C	2	35/32	27/8	7/8	—	53/8	7/8	2	9/32	127.0	

Bore Range

Bushing	Bore Range
P2	3/4"-13/4"
Q1	3/4"-211/16"
R1	11/8"-33/4"



Standard keyseats

Bore Range	Keyway
3/4"-7/8"	3/16"x3/32"
15/16"-11/4"	1/4x1/8
15/16 & 13/8"	5/16x5/32
17/16"-13/4"	3/8x3/16
113/16"-21/4"	1/2x1/4
25/16"-23/4"	5/8x5/16
213/16"-31/4"	3/4x3/8
33/8"-33/4"	7/8x7/16

13/8" Bore Bushings Also available with 3/8" x 3/16" Ks

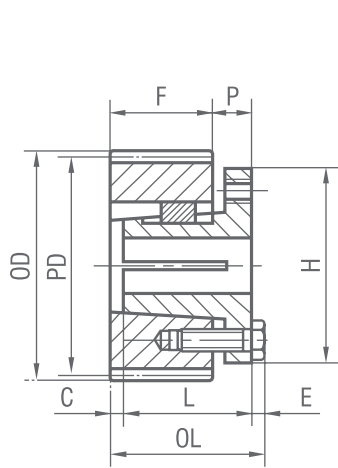


**T_{aper}
B_{ore} Spur Gears**

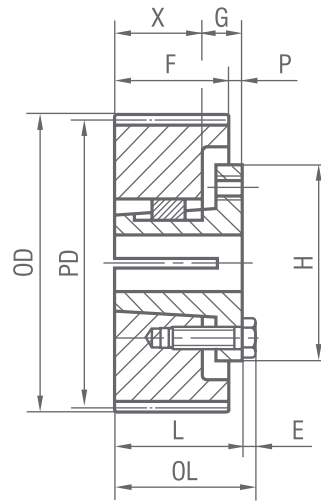
STL

Steel Stock and Cast Iron

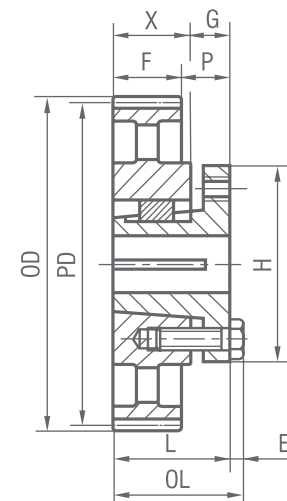
Pressure Angle **14 1/2°**



TYPE 2A



TYPE 3A



TYPE 7C

5DP 1 3/4" Face

Part No.	Z	Diameter		Bush	Type	Dimensions									wt	
		PD	OD			F	OL	L	P	C	H	G	X	E	Lbs	
STL5P18	18	3.60	4.00	P ₁	2A	1 3/4	25/8	1 15/16	5/8	7/16	3	—	—	1/4	3.4	
STL5P20	20	4.00	4.40	P ₁	2A	1 3/4	25/8	1 15/16	5/8	7/16	3	—	—	1/4	4.5	
STL5P24	24	4.80	5.20	P ₁	3A	1 3/4	23/16	1 15/16	3/16	—	3	5/8	15/16	1/4	6.4	
STL5P30	30	6.00	6.40	P ₁	3A	1 3/4	23/16	1 15/16	3/16	—	3	5/8	15/16	1/4	10.6	
STL5P35	35	7.00	7.40	P ₁	3A	1 3/4	23/16	1 15/16	3/16	—	3	5/8	15/16	1/4	14.9	
STL5Q40	40	8.00	8.40	Q ₁	7C	1 3/4	2 25/32	2 1/2	3/4	—	4 1/8	3/4	1 3/4	9/32	15.7	
STL5Q45	45	9.00	9.40	Q ₁	7C	1 3/4	2 25/32	2 1/2	3/4	—	4 1/8	3/4	1 3/4	9/32	17.4	
STL5Q50	50	10.00	10.40	Q ₁	7C	1 3/4	2 25/32	2 1/2	3/4	—	4 1/8	3/4	1 3/4	9/32	18.7	
STL5Q60	60	12.00	12.40	Q ₁	7C	1 3/4	2 25/32	2 1/2	3/4	—	4 1/8	3/4	1 3/4	9/32	21.6	
STL5Q70	70	14.00	14.40	Q ₁	7C	1 3/4	2 25/32	2 1/2	3/4	—	4 1/8	3/4	1 3/4	9/32	28.0	
STL5Q80	80	16.00	16.40	Q ₁	7C	1 3/4	2 25/32	2 1/2	3/4	—	4 1/8	3/4	1 3/4	9/32	33.5	
STL5Q90	90	18.00	18.40	Q ₁	7C	1 3/4	2 25/32	2 1/2	3/4	—	4 1/8	3/4	1 3/4	9/32	36.5	
STL5Q120	120	24.00	24.40	Q ₁	7C	1 3/4	2 25/32	2 1/2	3/4	—	4 1/8	3/4	1 3/4	9/32	52.0	

Bore Range

Bushing	Bore Range
P ₁	1/2"-1 3/4"
Q ₁	3/4"-2 11/16"



Standard Keyseats

Bore Range	Keyseat
1/2"-9/16"	1/8"x1/16"
5/8-7/8	3/16x3/32
15/16-1 1/4	1/4x1/8
15/16-1 3/8	5/16x5/32
1 7/16-1 3/4	3/8x3/16
1 13/16-2 1/4	1/2x1/4
2 5/16-2 3/4	5/8x5/16
2 13/16-3 1/4	3/4x3/8

1 3/8" Bore Bushing also available with 3/8"x3/16" Keyseat.

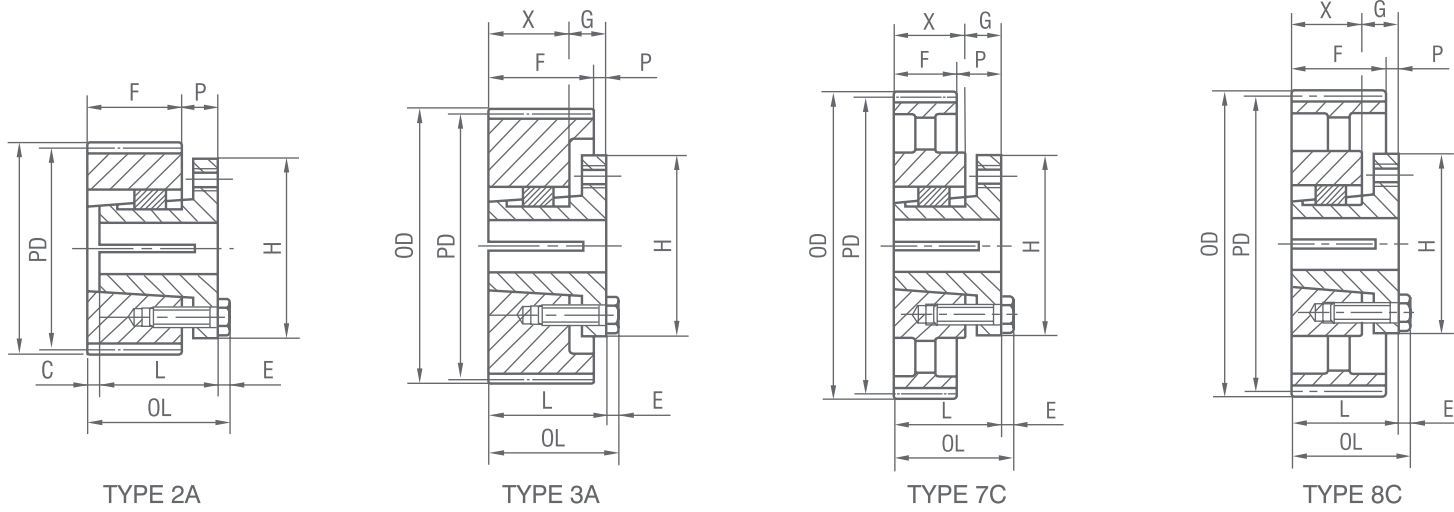


**T_{aper}
B_{ore} Spur Gears**

STL

Steel Stock and Cast Iron

Pressure Angle **14 1/2°**



6DP 1 1/2" Face

Part No.	Z	Diameter		Bush	Type	Dimensions									wt Lbs
		PD	OD			F	OL	L	P	C	H	G	X	E	
STL6P21	21	3.500	3.83	P ₁	2A	1 1/2	23/8	1 15/16	5/8	3/16	3	—	—	1/4	2.7
STL6P24	24	4.000	4.33	P ₁	2A	1 1/2	23/8	1 15/16	5/8	3/16	3	—	—	1/4	3.9
STL6P30	30	5.000	5.33	P ₁	3A	1 1/2	23/16	1 15/16	7/16	—	3	5/8	15/16	1/4	6.5
STL6P32	32	5.333	5.66	P ₁	3A	1 1/2	23/16	1 15/16	7/16	—	3	5/8	15/16	1/4	7.7
STL6P33	33	5.500	5.83	P ₁	3A	1 1/2	23/16	1 15/16	7/16	—	3	5/8	15/16	1/4	8.1
STL6P36	36	6.000	6.33	P ₁	3A	1 1/2	33/16	1 15/16	7/16	—	3	5/8	15/16	1/4	10.1
STL6P40	40	6.667	7.00	P ₁	3A	1 1/2	23/16	1 15/16	7/16	—	3	5/8	15/16	1/4	12.6
STL6P42	42	7.000	7.33	P ₁	3A	1 1/2	23/16	1 15/16	7/16	—	3	5/8	15/16	1/4	14.2
STL6P48	48	8.000	8.33	P ₁	8C	1 1/2	23/16	1 15/16	7/16	—	3	5/8	15/16	1/4	15.2
STL6P60	60	10.000	10.33	P ₁	8C	1 1/2	23/16	1 15/16	7/16	—	3	5/8	15/16	1/4	16.2
STL6P64	64	10.667	11.00	P ₁	8C	1 1/2	23/16	1 15/16	7/16	—	3	5/8	15/16	1/4	17.2
STL6P72	72	12.000	12.33	P ₁	8C	1 1/2	23/16	1 15/16	7/16	—	3	5/8	15/16	1/4	18.2
STL6Q84	84	14.000	14.33	Q ₁	7C	1 1/2	225/32	2 1/2	1	—	4 1/8	3/4	1 3/4	9/32	19.3
STL6Q96	96	16.000	16.33	Q ₁	7C	1 1/2	225/32	2 1/2	1	—	4 1/8	3/4	1 3/4	9/32	22.8
STL6Q108	108	18.000	18.33	Q ₁	7C	1 1/2	225/32	2 1/2	1	—	4 1/8	3/4	1 3/4	9/32	26.8
STL6Q120	120	20.000	20.33	Q ₁	7C	1 1/2	225/32	2 1/2	1	—	4 1/8	3/4	1 3/4	9/32	31.4
STL6Q132	132	22.000	22.33	Q ₁	7C	1 1/2	225/32	2 1/2	1	—	4 1/8	3/4	1 3/4	9/32	44.2
STL6Q144	144	24.000	24.33	Q ₁	7C	1 1/2	225/32	2 1/2	1	—	4 1/8	3/4	1 3/4	9/32	48.4

Bore Range

Bushing	Bore Range
P ₁	1/2"-1 3/4"
Q ₁	3/4"-2 11/16"



Standard Keyseats

Bore Range	Keyseat
3/8"-7/16"	None
1/2"-9/16"	1/8"X1/16"
5/8"-7/8"	3/16X3/32
15/16"-1 1/4"	1/4X1/8
15/16"-1 3/8"	5/16X5/32
17/16"-1 3/4"	3/8X3/16
1 13/16"-2 1/4"	1/2X1/4
25/16"-2 3/4"	5/8X5/16

1 3/8" Bore Bushing also available with 3/8"X3/16" Keyseat.

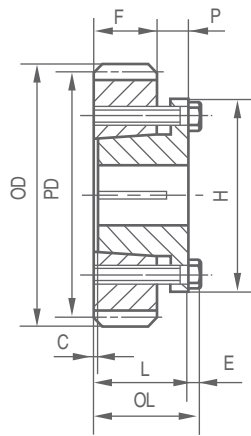


**T_{aper}
B_{ore}** **Spur Gears**

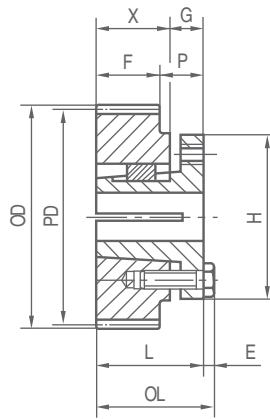
STL

Steel Stock and Cast Iron

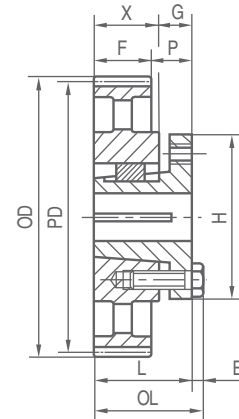
Pressure Angle **14 1/2°**



TYPE 6



TYPE 5A



TYPE 7C

8DP 1 1/4" Face

Part No.	Z	Diameter		Bush	Type	Dimensions									wt	
		PD	OD			F	OL	L	P	C	H	G	X	E	Lbs	
STL8H24	24	3.000	3.25	H	6	1 1/4	17/8	1 1/4	7/16	7/16	2 1/2	—	—	3/16	1.1	
STL8H28	28	3.500	3.75	H	6	1 1/4	17/8	1 1/4	7/16	7/16	2 1/2	—	—	3/16	2.6	
STL8H30	30	3.750	4.00	H	6	1 1/4	17/8	1 1/4	7/16	7/16	2 1/2	—	—	3/16	3.0	
STL8H32	32	4.000	4.25	H	6	1 1/4	17/8	1 1/4	7/16	7/16	2 1/2	—	—	3/16	3.8	
STL8P36	36	4.500	4.75	P ₁	5A	1 1/4	23/16	1 15/16	11/16	—	3	5/8	15/16	1/4	4.5	
STL8P40	40	5.000	5.25	P ₁	5A	1 1/4	23/16	1 15/16	11/16	—	3	5/8	15/16	1/4	5.8	
STL8P42	42	5.250	5.50	P ₁	5A	1 1/4	23/16	1 15/16	11/16	—	3	5/8	15/16	1/4	6.9	
STL8P44	44	5.500	5.75	P ₁	5A	1 1/4	23/16	1 15/16	11/16	—	3	5/8	15/16	1/4	7.7	
STL8P48	48	6.000	6.25	P ₁	5A	1 1/4	23/16	1 15/16	11/16	—	3	5/8	15/16	1/4	9.2	
STL8P54	54	6.750	7.00	P ₁	5A	1 1/4	23/16	1 15/16	11/16	—	3	5/8	15/16	1/4	12.1	
STL8P56	56	7.000	7.25	P ₁	5A	1 1/4	23/16	1 15/16	11/16	—	3	5/8	15/16	1/4	6.6	
STL8P60	60	7.500	7.75	P ₁	5A	1 1/4	23/16	1 15/16	11/16	—	3	5/8	15/16	1/4	7.4	
STL8P64	64	8.000	8.25	P ₁	7C	1 1/4	23/16	1 15/16	11/16	—	3	5/8	15/16	1/4	7.7	
STL8P72	72	9.000	9.25	P ₁	7C	1 1/4	23/16	1 15/16	11/16	—	3	5/8	15/16	1/4	9.1	
STL8P80	80	10.000	10.25	P ₁	7C	1 1/4	23/16	1 15/16	11/16	—	3	5/8	15/16	1/4	10.6	
STL8P84	84	10.500	10.75	P ₁	7C	1 1/4	23/16	1 15/16	11/16	—	3	5/8	15/16	1/4	10.9	
STL8P88	88	11.000	11.25	P ₁	7C	1 1/4	23/16	1 15/16	11/16	—	3	5/8	15/16	1/4	11.9	
STL8P96	96	12.000	12.25	P ₁	7C	1 1/4	23/16	1 15/16	11/16	—	3	5/8	15/16	1/4	13.4	
STL8P112	112	14.000	14.25	P ₁	7C	1 1/4	23/16	1 15/16	11/16	—	3	5/8	15/16	1/4	16.9	
STL8P120	120	15.000	15.25	P ₁	7C	1 1/4	23/16	1 15/16	11/16	—	3	5/8	15/16	1/4	18.5	
STL8P128	128	16.000	16.25	P ₁	7C	1 1/4	23/16	1 15/16	11/16	—	3	5/8	15/16	1/4	21.8	
STL8P144	144	18.000	18.25	P ₁	7C	1 1/4	23/16	1 15/16	11/16	—	3	5/8	15/16	1/4	26.3	
STL8Q160	160	20.000	20.25	Q ₁	7C	1 1/4	225/32	2 1/2	1 1/4	—	4 1/8	3/4	1 3/4	9/32	32.2	

Standard Keyseats

Bore Range	Keyseat	Bore Range	Keyseat
3/8"-7/16"	None	15/16-13/8	5/16X5/32
1/2-9/16	1/8"x1/16"	17/16-13/4	3/8X3/16
5/8-7/8	3/16X3/32	1 13/16-2 1/4	1/2X1/4
15/16-1 1/4	1/4X1/8	25/16-2 11/16	5/8X5/16

1 3/8" Bore Bushing also available with 3/8"x3/16" Keyseat.

Bore Range

Bushing	Bore Range
H	3/8"-1 1/2"
P ₁	1/2-1 3/4
Q ₁	3/4-2 11/16

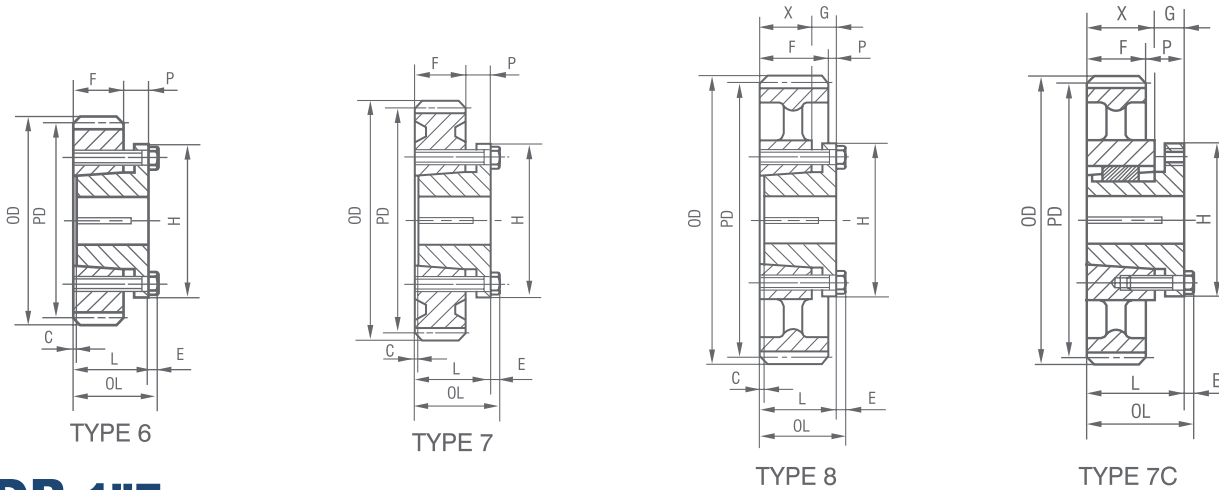


Taper Bore Spur Gears

STL

Steel Stock and Cast Iron

Pressure Angle **14 1/2°**



10DP 1"Face

Part No.	Z	Diameter		Bush	Type	Dimensions									wt Lbs
		PD	OD			F	OL	L	P	C	H	G	X	E	
STL10G25	25	2.50	2.70	G	6	1	15/8	1	7/16	7/16	2	—	—	3/16	0.9
STL10H30	30	3.00	3.20	H	6	1	15/8	1 1/4	7/16	3/16	2 1/2	—	—	3/16	1.3
STL10H32	32	3.20	3.40	H	6	1	15/8	1 1/4	7/16	3/16	2 1/2	—	—	3/16	1.6
STL10H35	35	3.50	3.70	H	6	1	15/8	1 1/4	7/16	3/16	2 1/2	—	—	3/16	2.0
STL10H36	36	3.60	3.80	H	6	1	15/8	1 1/4	7/16	3/16	2 1/2	—	—	3/16	2.3
STL10H40	40	4.00	4.20	H	6	1	15/8	1 1/4	7/16	3/16	2 1/2	—	—	3/16	2.9
STL10H45	45	4.50	4.70	H	6	1	15/8	1 1/4	7/16	3/16	2 1/2	—	—	3/16	3.8
STL10H48	48	4.80	5.00	H	6	1	15/8	1 1/4	7/16	3/16	2 1/2	—	—	3/16	4.8
STL10H50	50	5.00	5.20	H	7	1	15/8	1 1/4	7/16	3/16	2 1/2	—	—	3/16	5.4
STL10H54	54	5.40	5.60	H	7	1	15/8	1 1/4	7/16	3/16	2 1/2	—	—	3/16	6.3
STL10H55	55	5.50	5.70	H	8	1	1 1/2	1 1/4	5/16	1/16	2 1/2	7/16	7/8	3/16	3.0
STL10H60	60	6.00	6.20	H	8	1	1 1/2	1 1/4	5/16	1/16	2 1/2	7/16	7/8	3/16	3.8
STL10H64	64	6.40	6.60	H	8	1	1 1/2	1 1/4	5/16	1/16	2 1/2	7/16	7/8	3/16	4.4
STL10H70	70	7.00	7.20	H	8	1	1 1/2	1 1/4	5/16	1/16	2 1/2	7/16	7/8	3/16	4.8
STL10H72	72	7.20	7.40	H	8	1	1 1/2	1 1/4	5/16	1/16	1 1/2	7/16	7/8	3/16	5.0
STL10H80	80	8.00	8.20	H	8	1	1 1/2	1 1/4	5/16	1/16	2 1/2	7/16	7/8	3/16	5.8
STL10H90	90	9.00	9.20	H	8	1	1 1/2	1 1/4	5/16	1/16	2 1/3	7/16	7/8	3/16	6.4
STL10H96	96	9.60	9.80	H	8	1	1 1/2	1 1/4	5/16	1/16	2 1/2	7/16	7/8	3/16	7.5
STL10H100	100	10.00	10.20	H	8	1	1 1/2	1 1/4	5/16	1/16	2 1/2	7/16	7/8	3/16	8.3
STL10P120	120	12.00	12.20	P ₁	7C	1	2 3/16	1 15/16	15/16	—	3	5/8	15/16	1/4	10.5
STL10P140	140	14.00	14.20	P ₁	7C	1	2 3/16	1 15/16	15/16	—	3	5/8	15/16	1/4	13.0
STL10P180	180	18.00	18.20	P ₁	7C	1	2 3/16	1 15/16	15/16	—	3	5/8	15/16	1/4	19.9
STL10P200	200	20.00	20.20	P ₁	7C	1	2 3/16	1 15/16	15/16	—	3	5/8	15/16	1/4	22.3

Bore Range

Bushing	Bore Range
G	3/8"-1"
H	3/8"-1 1/2"
P ₁	1/2"-1 3/4"



Standard Keyseats

Bore Range	Keyseats
3/8"-7/16"	None
1/2"-9/16"	1/8"X1/16"
5/8"-7/8"	3/16X3/32
15/16"-1 1/4"	1/4X1/8
15/16"-1 3/8"	5/16X5/32
1 7/16"-1 3/4"	3/8X3/16

1 3/8" Bore Bushings Also available with 3/8"X3/16" Keyseat.

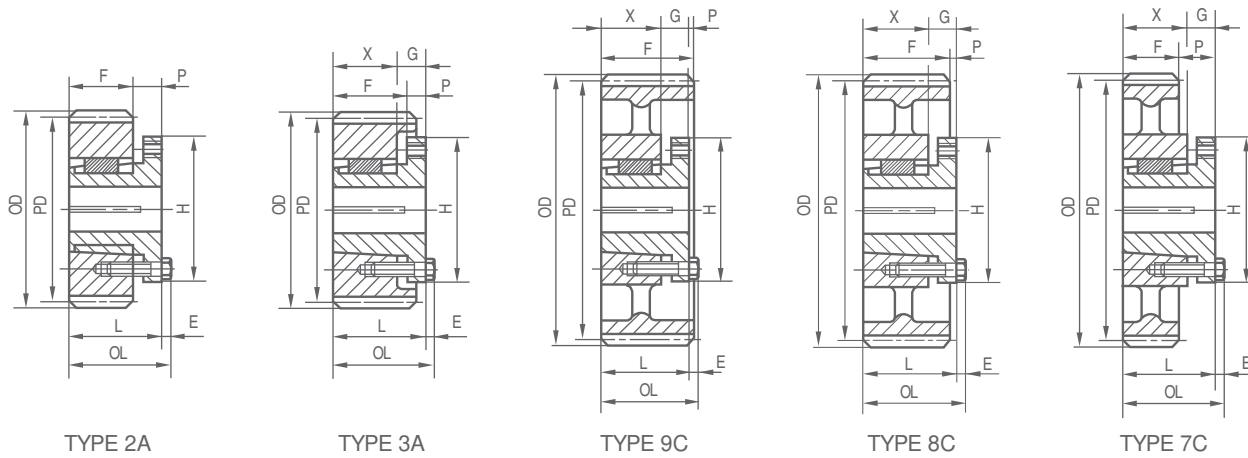


T_B^{aper}_{ore} Spur Gears

STL

Steel Stock and Cast Iron

Pressure Angle **20°**



4DP 3 1/2" Face

Part No.	Z	Diameter		Bush	Type	Dimensions									wt	
		PD	OD			F	OL	L	P	C	H	G	X	E	Lbs	
STL4Q20B	20	5.00	5.50	Q ₂	2A	3 1/2	4 17/32	3 1/2	3/4	3/4	4 1/8	—	—	9/32	12.9	
STL4Q24B	24	6.00	6.50	Q ₂	2A	3 1/2	4 17/32	3 1/2	3/4	3/4	4 1/8	—	—	9/32	21.5	
STL4Q28B	28	7.00	7.50	Q ₂	3A	3 1/2	3 25/32	3 1/2	—	—	4 1/8	3/4	2 3/4	9/32	29.4	
STL4R32B	32	8.00	8.50	R ₁	3A	3 1/2	3 1/2	2 7/8	5/8	—	5 3/8	7/8	2	9/32	38.5	
STL4R40B	40	10.00	10.50	R ₁	9C	3 1/2	3 1/2	2 7/8	5/8	—	5 3/8	7/8	2	9/32	42.7	
STL4R44B	44	11.00	11.50	R ₁	9C	3 1/2	3 1/2	2 7/8	5/8	—	5 3/8	7/8	2	9/32	47.8	
STL4R60B	60	15.00	15.50	R ₁	9C	3 1/2	3 1/2	2 7/8	5/8	—	5 3/8	7/8	2	9/32	67.5	
STL4R64B	64	16.00	16.50	R ₁	9C	3 1/2	3 1/2	2 7/8	5/8	—	5 3/8	7/8	2	9/32	73.8	
STL4R72B	72	18.00	18.50	R ₁	9C	3 1/2	3 1/2	2 7/8	5/8	—	5 3/8	7/8	2	9/32	84.0	
STL4R80B	80	20.00	20.50	R ₁	9C	3 1/2	3 1/2	2 7/8	5/8	—	5 3/8	7/8	2	9/32	96.5	
STL4R96B	96	24.00	24.50	R ₁	9C	3 1/2	3 1/2	2 7/8	5/8	—	5 3/8	7/8	2	9/32	124	
STL4S112B	112	28.00	28.50	S ₁	8C	3 1/2	4 3/4	4 3/8	7/8	—	6 3/8	1 1/16	3 5/16	3/8	166	
STL4S128B	128	32.00	32.50	S ₁	8C	3 1/2	4 3/4	4 3/8	7/8	—	6 3/8	1 1/16	3 5/16	3/8	199	
STL4S160B	160	40.00	40.50	S ₁	8C	3 1/2	4 3/4	4 3/8	7/8	—	6 3/8	1 1/16	3 5/16	3/8	250	

5DP 2 1/2" Face

Part No.	Z	Diameter		Bush	Type	Dimensions									wt	
		PD	OD			F	OL	L	P	C	H	G	X	E	Lbs	
STL5P18B	18	3.60	4.00	P ₂	2A	2 1/2	3 3/8	2 15/16	5/8	3/16	3	—	—	1/4	4.9	
STL5P20B	20	4.00	4.40	P ₂	2A	2 1/2	3 3/8	2 15/16	5/8	3/16	3	—	—	1/4	6.7	
STL5P35B	35	7.00	7.40	P ₂	3A	2 1/2	3 3/16	2 15/16	7/16	—	3	5/8	2 5/16	1/4	24.0	
STL5Q40B	40	8.00	8.40	Q ₁	8C	2 1/2	2 25/32	2 1/2	—	—	4 1/8	3/4	1 3/4	9/32	18.6	
STL5Q45B	45	9.00	9.40	Q ₁	8C	2 1/2	2 25/32	2 1/2	—	—	4 1/8	3/4	1 3/4	9/32	22.2	
STL5Q60B	60	12.00	12.40	Q ₁	8C	2 1/2	2 25/32	2 1/2	—	—	4 1/8	3/4	1 3/4	9/32	32.9	
STL5Q70B	70	14.00	14.40	Q ₁	8C	2 1/2	2 25/32	2 1/2	—	—	4 1/8	3/4	1 3/4	9/32	35.9	
STL5Q80B	80	16.00	16.40	Q ₁	8C	2 1/2	2 25/32	2 1/2	—	—	4 1/8	3/4	1 3/4	9/32	47.1	
STL5Q90B	90	18.00	18.40	Q ₁	8C	2 1/2	2 25/32	2 1/2	—	—	4 1/8	3/4	1 3/4	9/32	52.0	
STL5R100B	100	20.00	20.40	R ₁	8C	2 1/2	3 5/32	2 7/8	3/8	—	5 3/8	7/8	2	9/32	60.0	
STL5R120B	120	24.00	24.40	R ₁	8C	2 1/2	3 5/32	2 7/8	3/8	—	5 3/8	7/8	2	9/32	77.0	
STL5S140B	140	28.00	28.40	S ₁	7C	2 1/2	4 3/4	4 3/8	1 7/8	—	6 3/8	1 1/16	3 5/16	3/8	141	

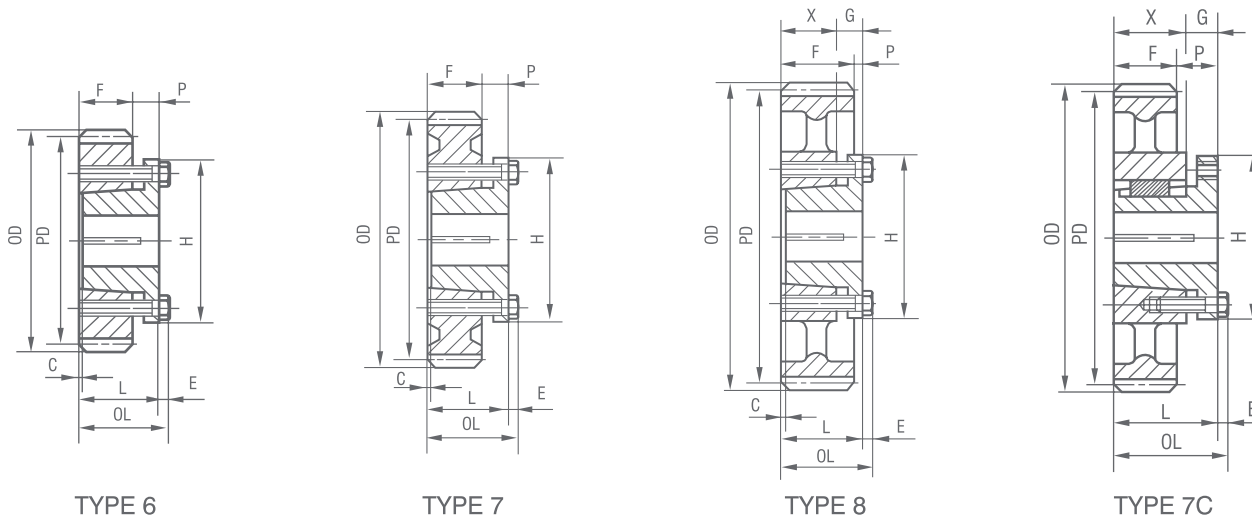


Taper Bore Spur Gears

STL

Steel Stock and Cast Iron

Pressure Angle **20°**



12DP 1"Face

Part No.	Z	Diameter		Bush	Type	Dimensions									wt
		PD	OD			F	OL	L	P	C	H	G	X	E	Lbs
STL12H36B	36	3.00	3.16	H	6	1	15/8	1 1/4	7/16	3/16	2 1/2	—	—	3/16	1.4
STL12H42B	42	3.50	3.66	H	6	1	15/8	1 1/4	7/16	3/16	2 1/2	—	—	3/16	2.0
STL12H48B	48	4.00	4.16	H	6	1	15/8	1 1/4	7/16	3/16	2 1/2	—	—	3/16	3.0
STL12H60B	60	5.00	5.16	H	7	1	15/8	1 1/4	7/16	3/16	2 1/2	—	—	3/16	3.5
STL12H72B	72	6.00	6.16	H	8	1	1 1/2	1 1/4	5/16	1/16	2 1/2	7/16	7/8	3/16	3.9
STL12H84B	84	7.00	7.16	H	8	1	1 1/2	1 1/4	5/16	1/16	2 1/2	7/16	7/8	3/16	4.5
STL12H96B	96	8.00	8.16	H	8	1	1 1/2	1 1/4	5/16	1/16	2 1/2	7/16	7/8	3/16	5.2
STL12H108B	108	9.00	9.16	H	8	1	1 1/2	1 1/4	5/16	1/16	2 1/2	7/16	7/8	3/16	5.8
STL12P144B	144	12.00	12.16	P ₁	7c	1	23/16	1 15/16	15/16	—	3	5/8	15/16	1/4	10.5

Bore Range

Bushing	Bore Range
G	3/8"-1"
H	3/8"-1 1/2"
P ₁	1/2"-1 3/4"

Standard Keyseats

Bore Range	Keyseats
3/8" & 7/16"	None
1/2" & 9/16"	1/8"x1/16"
5/8"-7/8"	3/16X3/32
15/16"-1 1/4"	1/4X1/8
15/16"-1 3/8"	5/16X5/32
17/16"-1 3/4"	3/8X3/16

1 3/8" Bore Bushings also available with 3/8"x3/16" Ks.



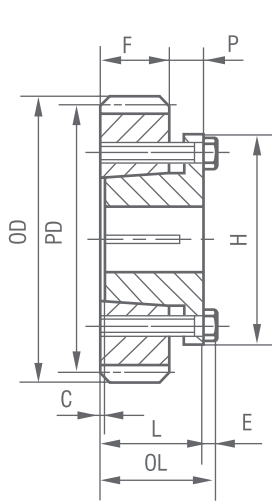


**T_{aper}
B_{ore} Spur Gears**

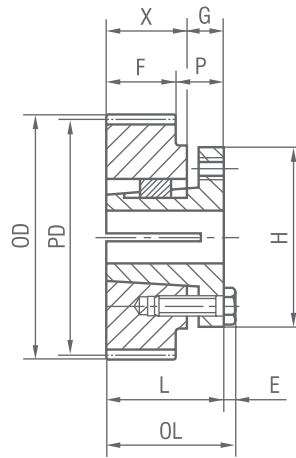
STL

Steel Stock and Cast Iron

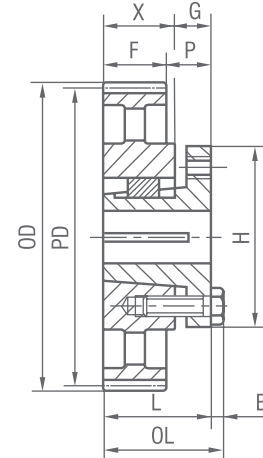
Pressure Angle **20°**



TYPE 6



TYPE 5A



TYPE 7C

10DP 1 1/4" Face

Part No.	Z	Diameter		Bush	Type	Dimensions									wt	
		PD	OD			F	OL	L	P	C	H	G	X	E	Lbs	
STL10H30B	30	3.00	3.20	H	6	1 1/4	1 7/8	1 1/4	7/16	7/16	2 1/2	—	—	3/16	2.8	
STL10H35B	35	3.50	3.70	H	6	1 1/4	1 7/8	1 1/4	7/16	7/16	2 1/2	—	—	3/16	3.0	
STL10H40B	40	4.00	4.20	H	6	1 1/4	1 7/8	1 1/4	7/16	7/16	2 1/2	—	—	3/16	3.6	
STL10P45B	45	4.50	4.70	P1	5A	1 1/4	2 3/16	1 15/16	11/16	—	3	5/8	15/16	1/4	4.5	
STL10P55B	55	5.50	5.70	P1	5A	1 1/4	2 3/16	1 15/16	11/16	—	3	5/8	15/16	1/4	6.5	
STL10P60B	60	6.00	6.20	P1	5A	1 1/4	2 3/16	1 15/16	11/16	—	3	5/8	15/16	1/4	9.5	
STL10P70B	70	7.00	7.20	P1	7C	1 1/4	2 3/16	1 15/16	11/16	—	3	5/8	15/16	1/4	6.8	
STL10P80B	80	8.00	8.20	P1	7C	1 1/4	2 3/16	1 15/16	11/16	—	3	5/8	15/16	1/4	7.9	
STL10P100B	100	10.00	10.20	P1	7C	1 1/4	2 3/16	1 15/16	11/16	—	3	5/8	15/16	1/4	10.6	
STL10P110B	110	11.00	11.20	P1	7C	1 1/4	2 3/16	1 15/16	11/16	—	3	5/8	15/16	1/4	12.4	
STL10P140B	140	14.00	14.20	P1	7C	1 1/4	2 3/16	1 15/16	11/16	—	3	5/8	15/16	1/4	15.6	
STL10P180B	180	18.00	18.20	P1	7C	1 1/4	2 3/16	1 15/16	11/16	—	3	5/8	15/16	1/4	25.6	

Bore Range

Bushing	Bore Range
H1	3/8"-1 1/2"
P1	1/2"-1 3/4"
Q1	3/4"-2 11/16"



Standard Keyseats

Bore Range	Keyseats
3/8" & 7/16"	None
1/2" & 9/16"	1/8"X1/16"
5/8"-7/8"	3/16X3/32
15/16"-1 1/4"	1/4X1/8
15/16" & 1 3/8"	5/16X5/32
1 7/16"-1 3/4"	3/8X3/16
1 13/16"-2 1/4"	1/2X1/4
2 5/16"-2 11/16"	5/8X5/16

1 3/8" Bore Bushings also available with 3/8"X3/16" Ks.

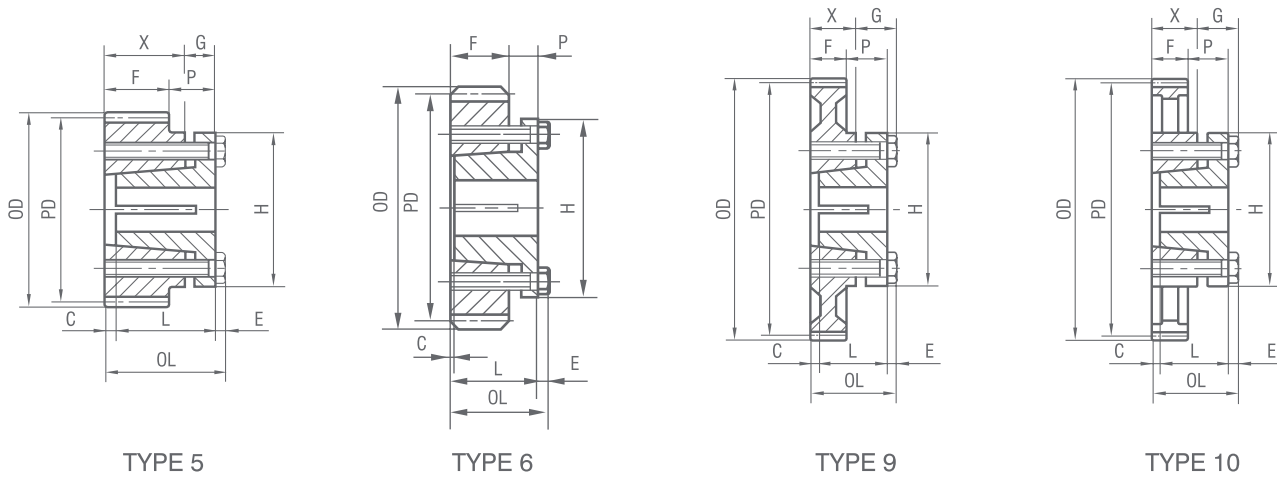


**T_{aper}
B_{ore} Spur Gears**

STL

Steel Stock and Cast Iron

Pressure Angle **20°**



16DP 3/4"Face

Part No.	Z	Diameter		Bush	Type	Dimensions									wt Lbs
		PD	OD			F	OL	L	P	C	H	G	X	E	
STL16G36B	36	2.250	2.37	G	6	3/4	13/8	1	7/16	3/16	2	—	—	3/16	0.6
STL16G40B	40	2.500	2.62	G	6	3/4	13/8	1	7/16	3/16	2	—	—	3/16	0.8
STL16H48B	48	3.000	3.12	H	5	3/4	1 1/2	1 1/4	9/16	1/16	2 1/2	7/16	7/8	3/16	1.0
STL16H56B	56	3.500	3.62	H	5	3/4	1 1/2	1 1/4	9/16	1/16	2 1/2	7/16	7/8	3/16	1.7
STL16H64B	64	4.000	4.12	H	5	3/4	1 1/2	1 1/4	9/16	1/16	2 1/2	7/16	7/8	3/16	2.3
STL16H80B	80	5.000	5.12	H	9	3/4	1 1/2	1 1/4	9/16	1/16	2 1/2	7/16	7/8	3/16	3.0
STL16H96B	96	6.000	6.12	H	10	3/4	1 1/2	1 1/4	9/16	1/16	2 1/2	7/16	7/8	3/16	3.5

Bore Range

Bushing	Bore Range
G	3/8"-1"
H	3/8"-1 1/2"



Standard Keyseats

Bore Range	Keyseats
3/8" & 7/16"	None
1/2 & 9/16	1/8X1/16
5/8-7/8	3/16X3/32
15/16-1 1/4	1/4X1/8
15/16 & 13/8	5/16X5/32
17/16 & 13/4	3/8X5/16

1 3/8" Bore Bushings also available with 3/8"X3/16" Ks.