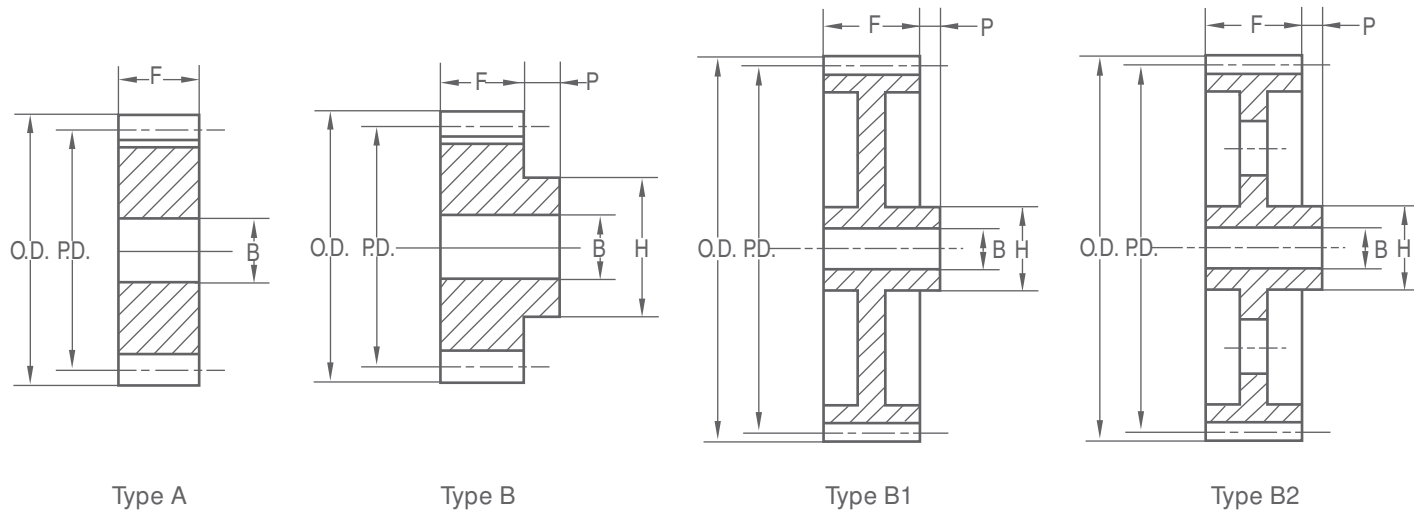




# Steel Stock Spur Gears

Pressure Angle **14 1/2°**

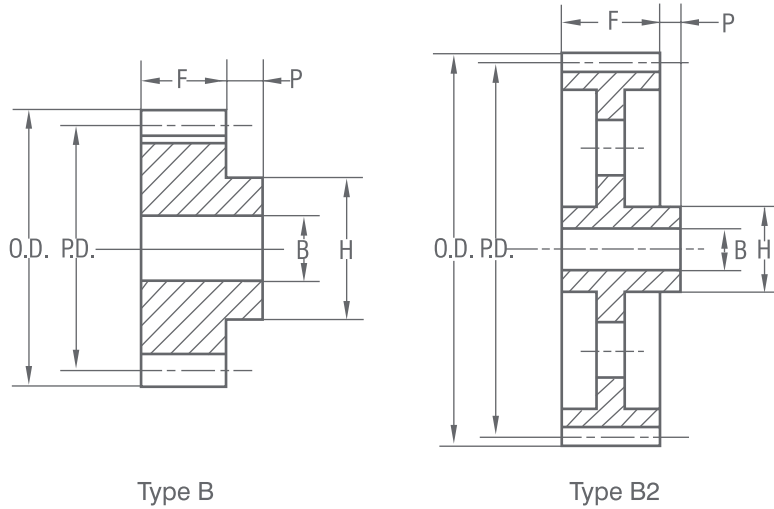


Z	3DP		3"Face		wt	4DP		2"Face		wt		
	Diameter		Type	Hubs		Diameter		Type	Hubs			
	OD	PD		dm		F+ P	Lbs		OD		PD	dm
11	4.666	4.000	A	—	3	12.0	3.50	3.00	B	2 1/4	2 7/8	4.0
12	4.666	4.000	A	—	3	11.0	3.50	3.00	B	2 1/4	2 7/8	3.9
13	5.000	4.333	A	—	3	10.7	3.75	3.25	B	2 1/4	2 7/8	4.6
14	5.333	4.667	A	—	3	12.8	4.00	3.50	B	2 3/4	2 7/8	5.7
15	5.666	5.000	A	—	3	14.8	4.25	3.75	B	3	2 7/8	6.8
16	6.000	5.333	A	—	3	17.0	4.50	4.00	B	3 1/4	2 7/8	8.0
17	6.333	5.666	A	—	3	19.5	4.75	4.25	B	3 1/2	2 7/8	9.2
18	6.666	6.000	A	—	3	22.0	5.00	4.50	B	3 3/4	2 7/8	10.4
19	7.000	6.333	A	—	3	27.4	5.25	4.75	B	4	2 7/8	10.5
20	7.333	6.667	A	—	3	30.7	5.50	5.00	B	4 1/4	2 7/8	13.4
21	7.666	7.000	A	—	3	48.2	5.75	5.25	B	4 1/2	2 7/8	14.9
22	8.000	7.333	A	—	3	55.0	6.00	5.50	B	4 3/4	2 7/8	16.5
24	8.666	8.000	B	5 1/2	4 1/4	74.5	6.50	6.00	B	4 3/4	3 1/2	22.8
26	9.333	8.666	B	5 1/2	4 1/4	83.6	7.00	6.50	B	4 3/4	3 1/2	24.8
28	10.000	9.333	B	6 1/4	4 1/4	98.0	7.50	7.00	B	4 3/4	3 1/2	27.8
30	10.666	10.000	B	6 1/4	4 1/4	114	8.00	7.50	B	4 3/4	3 1/2	31.0
32	11.333	10.666	B	6 1/4	4 3/4	119	8.50	8.00	B	4 3/4	3 1/2	34.4
36	12.666	12.000	B	6 1/2	4 3/4	106	9.50	9.00	B	4 3/4	3 1/2	41.7
40	14.000	13.333	B <sub>1</sub>	6 1/2	4 3/4	115	10.50	10.00	B	5 1/8	3 1/2	51.8
42	14.666	14.000	B <sub>1</sub>	6 1/2	4 3/4	120	11.00	10.50	B	5 1/8	3 1/2	56.0
44	15.333	14.666	B <sub>1</sub>	6 1/2	4 3/4	129	11.50	11.00	B	5 1/8	3 1/2	60.8
48	16.666	16.000	B <sub>1</sub>	6 1/2	4 3/4	134	12.50	12.00	B	5 1/8	3 1/2	70.8
54	18.666	18.000	B <sub>2</sub>	6 1/2	4 3/4	150	14.00	13.50	B <sub>1</sub>	5	3 1/2	57.4
56	19.333	18.666	B <sub>2</sub>	6 1/2	4 3/4	165	14.50	14.00	B <sub>1</sub>	5	3 1/2	59.9
60	20.666	20.000	B <sub>2</sub>	6 1/2	4 3/4	180	15.50	15.00	B <sub>2</sub>	5	3 1/2	62.8
64	22.000	21.333	B <sub>2</sub>	6 1/2	4 3/4	195	16.50	16.00	B <sub>2</sub>	5	3 1/2	66.2
72	24.666	24.000	B <sub>2</sub>	7	4 3/4	215	18.50	18.00	B <sub>2</sub>	5 1/2	3 1/2	82.9
80	27.333	26.666	B <sub>2</sub>	7	4 3/4	238	20.50	20.00	B <sub>2</sub>	5 1/2	3 1/2	92.0
84	28.666	28.000	B <sub>2</sub>	7	4 3/4	264	21.50	21.00	B <sub>2</sub>	5 1/2	3 1/2	95.0
88	30.000	29.333	B <sub>2</sub>	7	4 3/4	288	22.50	22.00	B <sub>2</sub>	6 1/8	3 3/4	95.8
96	32.666	32.000	B <sub>2</sub>	7	4 3/4	305	24.50	24.00	B <sub>2</sub>	6 1/8	3 3/4	124
108	36.666	36.000	B <sub>2</sub>	7	4 3/4	322	27.50	27.00	B <sub>2</sub>	6 1/4	3 3/4	138
120	40.666	40.000	B <sub>2</sub>	7 1/2	4 3/4	367	30.50	30.00	B <sub>2</sub>	6 1/4	3 3/4	155
144							36.50	36.00	B <sub>2</sub>	6 1/2	3 3/4	208



# Steel Stock Spur Gears

Pressure Angle **14 1/2°**

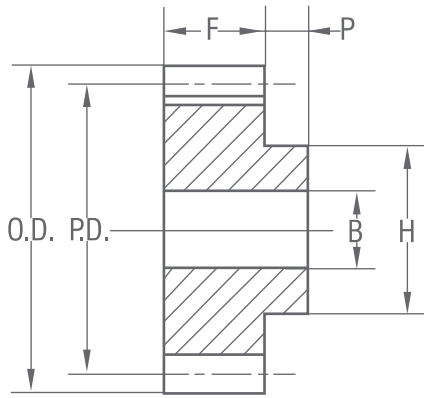


Z	5DP 1 3/4" Face						6DP 1 1/2" Face					
	Diameter		Type	Hubs		wt Lbs	Diameter		Type	Hubs		wt Lbs
	OD	PD		dm	F+P		OD	PD		dm	F+P	
11	2.80	2.40	B	1 25/32	2 5/8	2.0	2.333	2.000	B	1 1/2	2 3/8	1.1
12	2.80	2.40	B	1 25/32	2 5/8	2.0	2.333	2.000	B	1 1/2	2 3/8	1.1
13	3.00	2.60	B	2	2 5/8	2.6	2.500	2.167	B	1 3/4	2 3/8	1.5
14	3.20	2.80	B	2 3/16	2 5/8	3.1	2.666	2.333	B	1 3/16	2 3/8	1.8
15	3.40	3.00	B	2 3/8	2 5/8	3.7	2.833	2.500	B	2	2 3/8	2.2
16	3.60	3.20	B	2 19/32	2 5/8	4.5	3.000	2.666	B	2 5/32	2 3/8	2.6
17	3.80	3.40	B	2 7/8	2 5/8	5.2	3.167	2.833	B	2 7/16	2 3/8	2.9
18	4.00	3.60	B	3	2 5/8	5.9	3.333	3.000	B	2 1/2	2 3/8	3.5
19	4.20	3.80	B	3 1/4	2 5/8	6.7	3.500	3.167	B	2 3/4	2 3/8	3.9
20	4.40	4.00	B	3 3/8	2 5/8	7.5	3.666	3.333	B	2 27/32	2 3/8	4.6
21	4.60	4.20	B	3 3/8	2 5/8	8.1	3.833	3.500	B	3	2 3/8	5.1
22	4.80	4.40	B	3 3/8	2 5/8	8.8	4.000	3.666	B	3	2 3/8	5.5
23	5.00	4.60	B	3 3/8	2 5/8	9.5	4.167	3.823	B	3	2 1/2	5.9
24	5.20	4.80	B	3 3/8	3	11.0	4.333	4.000	B	3	2 1/2	6.5
25	5.40	5.00	B	3 3/8	3	11.8	4.500	4.167	B	3	2 1/2	6.5
26	5.60	5.20	B	3 3/8	3	12.9	4.666	4.330	B	3	2 1/2	6.8
27	5.80	5.40	B	3 3/8	3	13.5	4.833	4.500	B	3	2 1/2	7.6
28	6.00	5.60	B	3 3/8	3	14.3	5.000	4.666	B	3	2 1/2	8.3
30	6.40	6.00	B	3 3/8	3	16.0	5.333	5.000	B	3 1/8	2 1/2	9.5
32	6.80	6.40	B	4 1/4	3	18.0	5.666	5.333	B	3 1/8	2 1/2	10.7
33	7.00	6.60	B	4 1/4	3	19.5	5.833	5.500	B	3 1/4	2 1/2	11.3
35	7.40	7.00	B	4 1/4	3	22.8	6.167	5.833	B	3 1/4	2 1/2	12.2
36	7.60	7.20	B	4 1/4	3	25.3	6.333	6.000	B	3 1/4	2 1/2	13.3
39	8.20	7.80	B	4 1/4	3	26.9	6.833	6.500	B	4	2 1/2	16.6
40	8.40	8.00	B	4 1/4	3	28.5	7.000	6.666	B	4	2 1/2	17.6
42	8.80	8.40	B	4 5/8	3	33.0	7.333	7.000	B	4	2 1/2	18.9
45	9.40	9.00	B	4 5/8	3	35.0	7.833	7.500	B	4	2 1/2	21.3
48	10.00	9.60	B	4 3/4	3	39.5	8.333	8.000	B	4 1/8	2 1/2	24.3
50	10.40	10.00	B	4 3/4	3	43.6	8.666	8.333	B	4 1/4	2 1/2	25.8
52	10.80	10.40	B	4 3/4	3	46.7	9.000	8.666	B	4 1/4	2 1/2	27.9
54	11.20	10.80	B	4 3/4	3	49.3	9.333	9.000	B	4 3/8	2 1/2	30.4
55	11.40	11.00	B	4 3/4	3	52.0	9.500	9.166	B	4 3/8	2 1/2	31.8
58	12.00	11.60	B	4 3/4	3	56.1	10.000	9.666	B	4 3/8	2 1/2	33.9
60	12.40	12.00	B	4 3/4	3	60.9	10.333	10.000	B	4 3/8	2 3/4	34.3
64	13.20	12.80	B	4 3/4	3	70.5	11.000	10.666	B	4 3/8	2 3/4	42.2
66	13.60	13.20	B	4 3/4	3	73.8	11.333	11.000	B	4 3/8	2 3/4	50.0
70	14.40	14.00	B <sub>2</sub>	5	3	48.4						



# Steel Stock Spur Gears

Pressure Angle **14 1/2°**



Type B

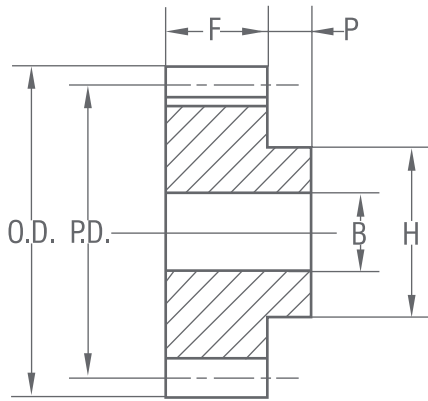


Z	<b>8DP 1 1/4" Face</b>						<b>10DP 1" Face</b>					
	Diameter		Type	Hubs		wt Lbs	Diameter		Type	Hubs		wt Lbs
	OD	PD		dm	F+P		OD	PD		dm	F+P	
11	1.750	1.500	B	1 1/8	2	0.5	1.400	1.200	B	15/16	15/8	0.3
12	1.750	1.500	B	1 1/8	2	0.5	1.400	1.200	B	15/16	15/8	0.3
13	1.875	1.625	B	1 1/4	2	0.7	1.500	1.300	B	1	15/8	0.3
14	2.000	1.750	B	1 3/8	2	0.9	1.600	1.400	B	1 1/8	15/8	0.4
15	2.125	1.875	B	1 1/2	2	0.9	1.700	1.500	B	1 7/32	15/8	0.5
16	2.250	2.000	B	1 5/8	2	1.1	1.800	1.600	B	1 5/16	15/8	0.6
17	2.375	2.125	B	1 3/4	2	1.3	1.900	1.700	B	1 3/8	15/8	0.6
18	2.500	2.250	B	1 7/8	2	1.6	2.00	1.800	B	1 17/32	15/8	0.8
19	2.625	2.375	B	2	2	1.8	2.100	1.900	B	1 9/16	15/8	0.9
20	2.750	2.500	B	2 1/8	2	2.0	2.200	2.000	B	1 23/32	15/8	1.0
21	2.875	2.625	B	2 1/4	2	2.3	2.300	2.100	B	1 3/4	15/8	1.2
22	3.000	2.750	B	2 3/8	2	2.6	2.400	2.200	B	1 7/8	15/8	1.3
24	3.250	3.000	B	2 5/8	2 1/4	3.6	2.600	2.400	B	2 1/8	15/8	1.6
25	3.375	3.125	B	2 5/8	2 1/4	3.8	2.700	2.500	B	2 1/8	15/8	1.8
26	3.500	3.250	B	2 5/8	2 1/4	3.9	2.800	2.600	B	2 1/8	15/8	1.9
28	3.750	3.500	B	2 5/8	2 1/4	4.4	3.000	2.800	B	2 1/8	1 7/8	2.3
30	4.000	3.750	B	2 3/4	2 1/4	5.1	3.200	3.000	B	2 1/8	1 7/8	2.6
32	4.250	4.000	B	2 7/8	2 1/4	5.6	3.400	3.200	B	2 1/8	1 7/8	2.9
35	4.625	4.375	B	3	2 1/4	6.2	3.700	3.500	B	2 1/4	1 7/8	3.4
36	4.750	4.500	B	3	2 1/4	7.0	3.8000	3.600	B	2 1/4	1 7/8	3.5
38	5.000	4.750	B	3	2 1/4	7.8	4.00	3.800	B	2 1/4	1 7/8	3.8
40	5.250	5.000	B	3	2 1/4	8.3	4.200	4.000	B	2 1/4	1 7/8	4.1
42	5.500	5.250	B	3	2 1/4	9.0	4.400	4.200	B	2 1/4	1 7/8	4.5
44	5.750	5.500	B	3	2 1/4	9.7	4.600	4.400	B	2 1/2	1 7/8	5.0
45	6.000	5.750	B	3	2 1/4	10.3	4.700	4.500	B	2 1/2	1 7/8	5.3
48	6.250	6.000	B	3	2 1/4	11.3	5.000	4.800	B	2 1/2	1 7/8	5.9
50							5.200	5.000	B	2 1/2	1 7/8	6.4
54							5.600	5.400	B	2 1/2	1 7/8	7.8
55							5.700	5.500	B	2 1/2	1 7/8	7.9
60							6.200	6.000	B	2 1/2	1 7/8	8.7



# Steel Stock Spur Gears

Pressure Angle **14 1/2°**



Type B

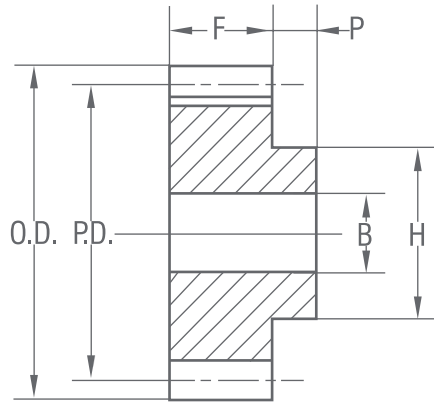


Z	<b>12DP 3/4"Face</b>					<b>16DP 1/2"Face</b>						
	Diameter		Type	Hubs		wt Lbs	Diameter		Type	Hubs		wt Lbs
	OD	PD		dm	F+P		OD	PD		dm	F+P	
11	1.167	1.000	B	3/4	1 1/4	0.14	0.875	0.750	B	9/16	15/16	0.06
12	1.167	1.000	B	3/4	1 1/4	0.16	0.875	0.750	B	9/16	15/16	0.06
13	1.250	1.083	B	13/16	1 1/4	0.20	0.937	0.812	B	5/8	15/16	0.08
14	1.333	1.167	B	29/32	1 1/4	0.24	1.000	0.875	B	11/16	15/16	0.10
15	1.417	1.250	B	1	1 3/8	0.27	1.062	0.937	B	3/4	15/16	0.12
16	1.500	1.333	B	1 1/6	1 3/8	0.34	1.125	1.000	B	13/16	15/16	0.14
17	1.580	1.413	B	1 1/8	1 3/8	0.36	1.187	1.062	B	7/8	15/16	0.16
18	1.667	1.500	B	1 1/4	1 3/8	0.42	1.250	1.125	B	15/16	15/16	0.20
19	1.750	1.583	B	15/16	1 3/8	0.48	1.312	1.187	B	1	15/16	0.22
20	1.833	1.667	B	1 13/32	1 3/8	0.56	1.375	1.250	B	1 1/16	15/16	0.24
21	1.917	1.750	B	1 1/2	1 3/8	0.64	1.438	1.312	B	1 1/8	15/16	0.28
22	2.000	1.833	B	19/16	1 3/8	0.70	1.500	1.375	B	13/16	15/16	0.32
23	2.083	1.917	B	15/8	1 3/8	0.78	1.562	1.437	B	1 1/4	15/16	0.34
24	2.166	2.000	B	13/4	1 3/8	0.88	1.625	1.500	B	15/16	15/16	0.42
25	2.250	2.083	B	1 27/32	1 3/8	0.96	1.688	1.562	B	13/8	15/16	0.49
26	2.333	2.167	B	1 15/16	1 3/8	1.14	1.750	1.625	B	17/16	15/16	0.52
28	2.500	2.333	B	2 1/16	1 3/8	1.34	1.875	1.750	B	1 1/2	1	0.60
30	2.667	2.500	B	2 1/4	1 3/8	1.60	2.000	1.875	B	15/8	1	0.70
32	2.833	2.667	B	2 1/4	1 3/8	1.72	2.125	2.000	B	13/4	1	0.80
34	3.000	2.833	B	2 1/4	1 3/8	1.88	2.250	2.125	B	17/8	1	0.92
36	3.167	3.000	B	2 1/2	1 3/8	2.20	2.375	2.250	B	2	1	0.98
38	3.333	3.167	B	2 1/2	1 3/8	2.38	2.500	2.375	B	2	1	1.1
40	3.500	3.333	B	2 1/2	1 3/8	2.54	2.626	2.500	B	2	1	1.2
42	3.666	3.500	B	2 1/2	1 3/8	2.72	2.750	2.626	B	2	1	1.3
44	3.833	3.667	B	2 1/2	1 3/8	2.94	2.875	2.750	B	2	1	1.4
48	4.166	4.000	B	2 1/2	1 3/8	3.50	3.125	3.000	B	2	1	1.5
52	4.500	4.333	B	2 3/4	1 1/2	3.90	3.375	3.250	B	2	1	1.6
54	4.666	4.500	B	2 3/4	1 1/2	4.40	3.500	3.375	B	2	1	1.7
56	4.833	4.667	B	2 3/4	1 1/2	4.60	3.625	3.500	B	2	1	1.9
60	5.166	5.000	B	2 3/4	1 1/2	5.14	3.875	3.750	B	2	1	2.2
64	5.500	5.333	B	2 3/4	1 1/2	5.74	4.125	4.000	B	2	1 1/8	2.5
66	5.666	5.500	B	2 3/4	1 1/2	6.02	4.250	4.125	B	2 1/4	1 1/8	2.7
68	5.830	5.665	B	2 3/4	1 1/2	6.60	4.375	4.250	B	2 1/4	1 1/8	2.8
72	6.166	6.000	B	2 3/4	1 1/2	7.02	4.625	4.500	B	2 1/4	1 1/8	3.4
80							5.125	5.000	B	2 1/4	1 1/8	3.6
84							5.375	5.250	B	2 1/4	1 1/8	3.9
88							5.625	5.500	B	2 1/4	1 1/8	4.6



# Steel Stock Spur Gears

Pressure Angle **14 1/2°**



Type B

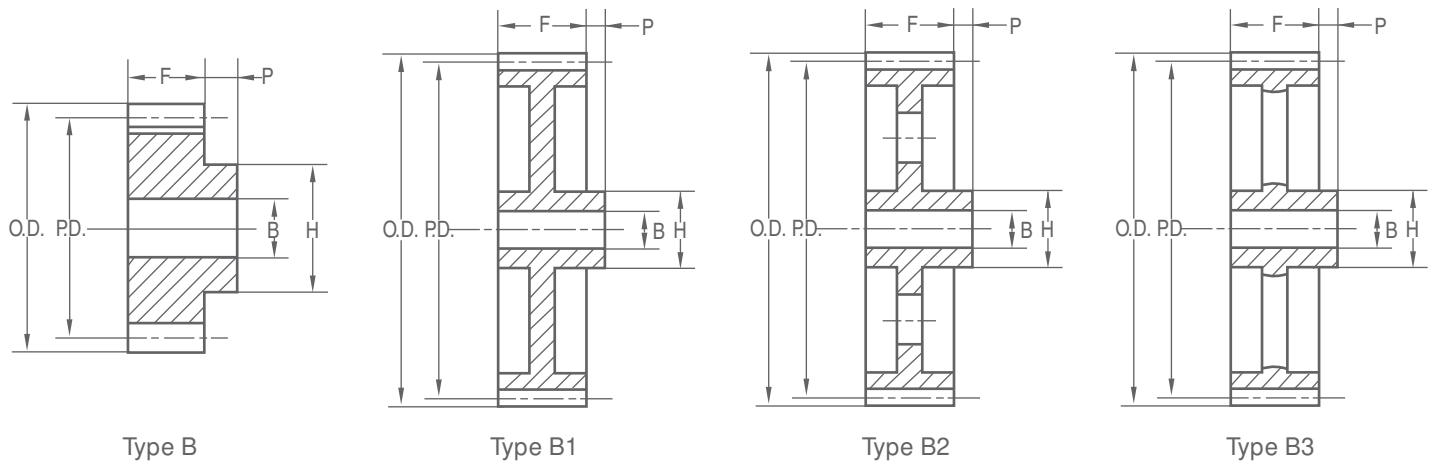


Z	20DP 3/8"Face						24DP 1/2"Face					
	Diameter		Type	Hubs		wt Lbs	Diameter		Type	Hubs		wt Lbs
	OD	PD		dm	F+P		OD	PD		dm	F+P	
11	0.70	0.60	B	15/32	3/4	0.02	0.583	0.500	B	3/8	9/16	0.02
12	0.70	0.60	B	15/32	3/4	0.02	0.583	0.500	B	3/8	9/16	0.02
13	0.75	0.65	B	1/2	3/4	0.04	0.625	0.542	B	7/16	9/16	0.03
14	0.80	0.70	B	35/64	3/4	0.04	0.666	0.583	B	15/32	9/16	0.04
15	0.85	0.75	B	39/64	3/4	0.04	0.708	0.625	B	1/2	9/16	0.04
16	0.90	0.80	B	21/32	3/4	0.04	0.750	0.666	B	35/64	9/16	0.04
17	0.95	0.85	B	45/64	3/4	0.08	0.791	0.709	B	9/16	9/16	0.04
18	1.00	0.90	B	3/4	3/4	0.08	0.833	0.750	B	5/8	9/16	0.04
19	1.05	0.95	B	51/64	3/4	0.10	0.875	0.791	B	5/8	9/16	0.06
20	1.10	1.00	B	55/64	3/4	0.12	0.917	0.833	B	23/32	9/16	0.06
21	1.15	1.05	B	7/8	3/4	0.12	0.959	0.875	B	3/4	9/16	0.06
22	1.20	1.10	B	31/32	3/4	0.14	1.000	0.917	B	3/4	9/16	0.06
23	1.25	1.15	B	31/32	3/4	0.16	1.042	0.959	B	13/16	5/8	0.08
24	1.30	1.20	B	11/16	3/4	0.19	1.083	1.000	B	7/8	5/8	0.10
25	1.35	1.25	B	17/64	3/4	0.20	1.125	1.042	B	7/8	5/8	0.10
26	1.40	1.30	B	117/64	3/4	0.22	1.166	1.083	B	7/8	5/8	0.10
27	1.45	1.35	B	11/4	3/4	0.24	1.208	1.125	B	7/8	5/8	0.12
28	1.50	1.40	B	117/64	3/4	0.26	1.250	1.166	B	1	5/8	0.14
30	1.60	1.50	B	123/64	3/4	0.30	1.333	1.250	B	1	5/8	0.16
32	1.70	1.60	B	17/16	7/8	0.40	1.416	1.333	B	11/8	5/8	0.18
33	1.75	1.65	B	15/8	7/8	0.45	1.458	1.375	B	11/8	5/8	0.20
35	1.85	1.75	B	19/16	7/8	0.50	1.541	1.458	B	11/8	5/8	0.20
36	1.90	1.80	B	15/8	7/8	0.52	1.583	1.500	B	11/8	5/8	0.20
40	2.10	2.00	B	113/16	7/8	0.64	1.750	1.666	B	11/8	5/8	0.24
42	2.20	2.10	B	2	7/8	0.70	1.833	1.750	B	11/4	5/8	0.28
44	2.30	2.20	B	2	7/8	0.73	1.917	1.833	B	1 1/4	5/8	0.30
45	2.35	2.25	B	2	7/8	0.82	1.959	1.875	B	11/4	5/8	0.30
48	2.50	2.40	B	2	7/8	0.88	2.083	2.000	B	11/4	5/8	0.32
50	2.60	2.50	B	2	7/8	0.90	2.166	2.083	B	11/4	5/8	0.35
54	2.80	2.70	B	2	7/8	0.95	2.333	2.250	B	11/4	5/8	0.38
55	2.85	2.75	B	2	7/8	1.04	2.374	2.291	B	11/4	5/8	0.39
56	2.90	2.80	B	2	7/8	1.10	2.416	2.333	B	11/4	5/8	0.40
60	3.10	3.00	B	2	7/8	1.16	2.583	2.500	B	11/4	5/8	0.46
64	3.30	3.20	B	2	7/8	1.26	2.749	2.666	B	11/4	5/8	0.49
66	3.40	3.30	B	2	7/8	1.32	2.833	2.750	B	11/4	5/8	0.52
70	3.60	3.50	B	2	7/8	1.40	3.000	2.917	B	13/8	3/4	0.58
72	3.70	3.60	B	21/4	7/8	1.60	3.083	3.000	B	13/8	3/4	0.64
80	4.10	4.00	B	21/4	7/8	1.82						



# Cast Iron Stock Spur Gears

Pressure Angle **14 1/2°**

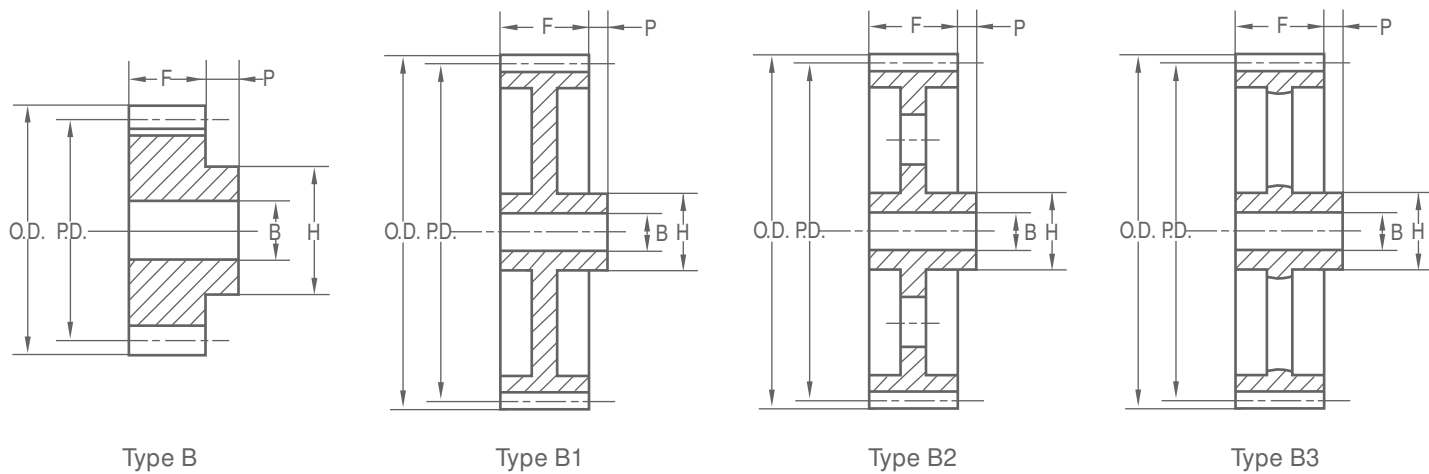


Z	<b>3DP</b>		<b>3"Face</b>		wt	<b>4DP</b>		<b>2"Face</b>		wt		
	Diameter		Type	Hubs		Diameter		Type	Hubs			
	OD	PD		dm		F+ P	Lbs		OD		PD	dm
24	8.666	8.000	B	4 1/2	4 1/4	40.4	6.50	6.00	B	3 1/2	3 1/2	17.0
28	10.000	9.333	B	5 1/4	4 1/4	54.2	7.50	7.00	B <sub>1</sub>	3 1/2	3 1/2	20.2
30	10.666	10.000	B	5 1/4	4 1/4	57.1	8.00	7.50	B <sub>1</sub>	3 1/2	3 1/2	21.1
32	11.333	10.667	B	5 1/4	4 1/4	62.4	8.50	8.00	B <sub>1</sub>	3 1/2	3 1/2	23.2
36	12.666	12.000	B <sub>2</sub>	5 1/2	4 3/4	71.3	9.50	9.00	B <sub>2</sub>	3 3/4	3 1/2	30.5
40	14.000	13.333	B <sub>2</sub>	5 1/2	4 3/4	75.9	10.50	10.00	B <sub>2</sub>	4	3 1/2	26.4
42	14.666	14.000	B <sub>2</sub>	5 1/2	4 3/4	79.5	11.00	10.50	B <sub>2</sub>	4	3 1/2	32.3
44	15.333	14.666	B <sub>2</sub>	5 1/2	4 3/4	82.0	11.50	11.00	B <sub>2</sub>	4	3 1/2	33.9
45	15.666	15.000	B <sub>2</sub>	5 1/2	4 3/4	85.0	11.75	11.25	B <sub>3</sub>	4	3 1/2	36.5
48	16.666	16.000	B <sub>3</sub>	5 1/2	4 3/4	92.9	12.50	12.00	B <sub>3</sub>	4	3 1/2	38.4
52	18.000	17.333	B <sub>3</sub>	5 1/2	4 3/4	95.6	13.50	13.00	B <sub>3</sub>	4	3 1/2	42.5
54	18.666	18.000	B <sub>3</sub>	5 1/2	4 3/4	104	14.00	13.50	B <sub>3</sub>	4	3 1/2	44.7
56	19.333	18.666	B <sub>3</sub>	5 1/2	4 3/4	108	14.50	14.00	B <sub>3</sub>	4	3 1/2	46.7
60	20.666	20.000	B <sub>3</sub>	5 1/2	4 3/4	115	15.50	15.00	B <sub>3</sub>	4	3 1/2	49.5
64	22.000	21.333	B <sub>3</sub>	6	4 3/4	125	16.50	16.00	B <sub>3</sub>	4	3 1/2	54.5
68	23.333	22.666	B <sub>3</sub>	6	4 3/4	145	17.50	17.00	B <sub>3</sub>	4	3 1/2	56.0
72	24.666	24.000	B <sub>3</sub>	6	4 3/4	153	18.50	18.00	B <sub>3</sub>	4 1/2	3 1/2	63.0
75	25.666	25.000	B <sub>3</sub>	6	4 3/4	155	18.75	18.75	B <sub>3</sub>	4 1/2	3 1/2	68.5
80	27.333	26.666	B <sub>3</sub>	6	4 3/4	169	20.50	20.00	B <sub>3</sub>	4 1/2	3 1/2	72.0
84	28.666	28.000	B <sub>3</sub>	6	4 3/4	178	21.50	21.00	B <sub>3</sub>	4 1/2	3 1/2	73.0
88	30.000	29.333	B <sub>3</sub>	6	4 3/4	181	22.50	22.00	B <sub>3</sub>	4 1/2	3 3/4	75.0
90	30.666	30.000	B <sub>3</sub>	6	4 3/4	185	23.00	22.50	B <sub>3</sub>	4 1/2	3 3/4	81.0
96	32.666	32.000	B <sub>3</sub>	6	4 3/4	205	24.50	24.0	B <sub>3</sub>	4 1/2	3 3/4	86.0
100	34.000	33.333	B <sub>3</sub>	6	4 3/4	209	25.50	25.00	B <sub>3</sub>	4 1/2	3 3/4	91.0
104	35.333	34.666	B <sub>3</sub>	6	4 3/4	212	26.50	26.00	B <sub>3</sub>	4 1/2	3 3/4	105
105	35.666	35.000	B <sub>3</sub>	6	4 3/4	216	26.75	26.25	B <sub>3</sub>	4 1/2	3 3/4	106
108	36.666	36.000	B <sub>3</sub>	6	4 3/4	228	27.50	27.0	B <sub>3</sub>	5	3 3/4	107
112	38.000	37.333	B <sub>3</sub>	6 1/2	4 3/4	242	28.50	28.00	B <sub>3</sub>	5	3 3/4	108
120	40.000	40.666	B <sub>3</sub>	6 1/2	4 3/4	256	30.50	30.00	B <sub>3</sub>	5	3 3/4	115
132							33.50	33.00	B <sub>3</sub>	5	3 3/4	129
144							36.50	36.00	B <sub>3</sub>	5 1/2	3 3/4	140



# Cast Iron Stock Spur Gears

Pressure Angle **14 1/2°**

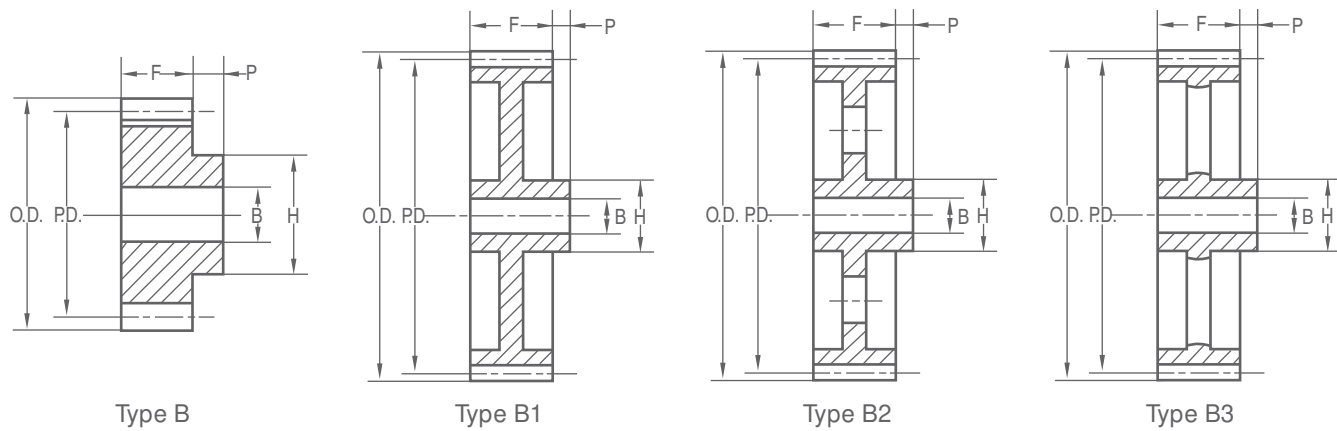


Z	5DP 1 3/4" Face					6DP 1 1/2" Face						
	Diameter		Type	Hubs		wt Lbs	Diameter		Type	Hubs		wt Lbs
	OD	PD		dm	F+ P		OD	PD		dm	F+ P	
24	5.20	4.80	B	3 1/4	3	9.9						
25	5.40	5.00	B	3 1/4	3	10.6						
28	6.00	5.60	B1	3 1/4	3	12.1						
30	6.40	6.00	B1	3 1/4	3	13.9	5.333	5.000	B1	2 1/2	2 1/2	6.6
32	6.80	6.40	B1	3 1/4	3	15.5	5.666	5.333	B1	2 1/2	2 1/2	7.2
35	7.40	7.00	B1	3 1/4	3	16.9	6.166	5.833	B1	2 1/2	2 1/2	8.1
36	7.60	7.20	B1	3 1/4	3	15.5	6.333	6.000	B1	2 1/2	2 1/2	9.5
40	8.40	8.00	B1	3 1/4	3	17.4	7.000	6.666	B1	3	2 1/2	11.9
42	8.80	8.40	B2	3 1/4	3	19.0	7.333	7.000	B1	3	2 1/2	13.0
45	9.40	9.00	B2	3 1/4	3	20.3	7.833	7.500	B2	3	2 1/2	12.0
48	10.00	9.60	B2	3 3/4	3	25.2	8.333	8.000	B3	3	2 1/2	12.1
50	10.40	10.00	B3	3 3/4	3	23.7	8.666	8.333	B3	3 1/4	2 1/2	13.6
54	11.20	10.80	B3	3 3/4	3	25.1	9.333	9.000	B3	3 1/4	2 1/2	14.4
55	11.40	11.00	B3	3 3/4	3	26.0	9.500	9.166	B3	3 1/4	2 1/2	15.6
58	12.00	11.60	B3	3 3/4	3	28.5	10.000	9.666	B3	3 1/4	2 1/2	16.6
60	12.40	12.00	B3	3 3/4	3	30.6	10.333	10.000	B3	3 1/4	2 3/4	17.0
64	13.20	12.80	B3	3 3/4	3	31.2	11.000	10.666	B3	3 1/4	2 3/4	18.5
66	13.60	13.20	B3	3 3/4	3	32.8	11.333	11.000	B3	3 1/4	2 3/4	19.0
70	14.40	14.00	B3	4	3	34.5	12.000	11.666	B3	3 1/4	2 3/4	20.6
72	14.80	14.40	B3	4	3	35.0	12.333	12.000	B3	3 1/2	2 3/4	23.7
75	15.40	15.00	B3	4	3	36.7	12.833	12.500	B3	3 1/2	2 3/4	25.4
80	16.40	16.00	B3	4	3	40.8	13.666	13.333	B3	3 1/2	2 3/4	25.8
84	17.20	16.80	B3	4	3	42.0	14.333	14.000	B3	3 1/2	2 3/4	26.0
90	18.40	18.00	B3	4	3	45.4	15.333	15.000	B3	3 1/2	2 3/4	26.8
96	19.60	19.20	B3	4	3	48.6	16.333	16.000	B3	3 1/2	2 3/4	28.0
100	20.40	20.00	B3	4 1/2	3 1/4	54.4	17.000	16.666	B3	3 1/2	2 3/4	30.2
108	22.00	21.60	B3	4 1/2	3 1/4	55.0	18.333	18.000	B3	3 3/4	2 3/4	32.0
120	24.40	24.00	B3	4 3/4	3 1/4	56.1	20.333	20.000	B3	3 3/4	3	34.8
126	25.60	25.20	B3	4 3/4	3 1/4	63.5	21.333	21.000	B3	3 3/4	3	39.1
130	26.40	26.00	B3	4 3/4	3 1/4	70.2	22.000	21.666	B3	3 3/4	3	41.6
132							22.333	22.000	B3	3 3/4	3	43.4
144							24.333	24.000	B3	4	3	45.2
180							30.333	30.000	B3	4	3	58.3



# Cast Iron Stock Spur Gears

Pressure Angle **14 1/2°**



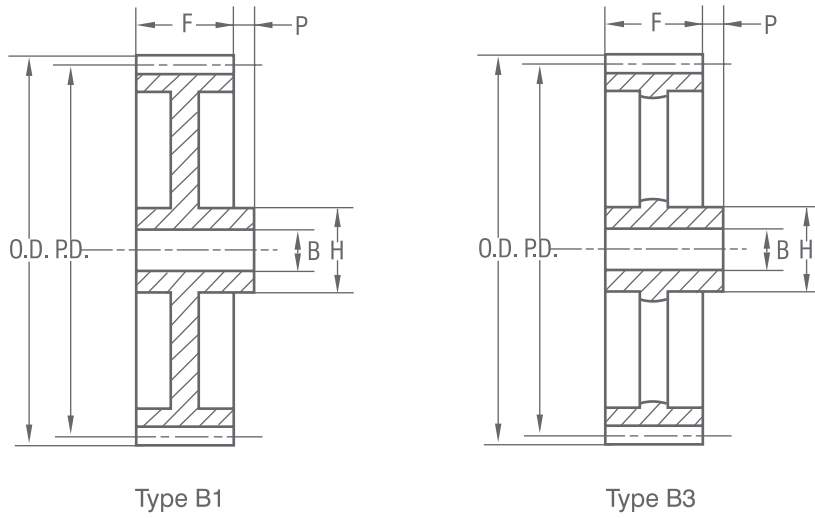
Z	<b>8DP</b>		<b>1 1/4" Face</b>				<b>10DP</b>		<b>1" Face</b>			
	Diameter		Type	Hubs		wt Lbs	Diameter		Type	Hubs		wt Lbs
	OD	PD		dm	F+ P		OD	PD		dm	F+ P	
24	3.250	3.000	B	21/8	21/4	2.7						
28	3.750	3.500	B	21/4	21/4	3.7	3.000	2.800	B	13/4	17/8	1.9
30	4.000	3.750	B	21/4	21/4	4.1						
32	4.250	4.000	B1	21/4	21/4	3.8						
36	4.750	4.500	B1	21/2	21/4	4.5	3.800	3.600	B1	21/8	17/8	2.8
40	5.250	5.000	B1	21/2	21/4	5.1						
42	5.500	5.250	B1	21/2	21/4	5.5						
44	5.750	5.500	B1	21/2	21/4	6.0						
52	6.750	6.500	B1	23/4	21/4	10.3						
54	7.000	6.750	B2	23/4	21/4	8.1						
56	7.250	7.000	B3	23/4	21/4	8.2						
60	7.750	7.500	B3	23/4	21/4	8.8	6.20	6.00	B3	21/8	17/8	4.3
64	8.250	8.000	B3	23/4	21/4	11.2	6.60	6.40	B3	21/2	17/8	5.6
65	8.375	8.125	B3	23/4	21/4	11.3	6.70	6.50	B3	21/2	17/8	5.6
68	8.750	8.500	B3	3	21/4	11.5	7.00	6.80	B3	21/2	17/8	5.8
70	9.000	8.750	B3	3	21/4	11.6	7.20	7.00	B3	21/2	17/8	5.9
72	9.250	9.000	B3	3	21/4	11.7	7.40	7.20	B3	21/2	17/8	6.3
75	9.625	9.375	B3	3	21/4	11.9	7.70	7.50	B3	21/2	17/8	6.7
76	9.750	9.500	B3	3	21/4	12.0	7.80	7.60	B3	21/2	17/8	6.7
80	10.250	10.000	B3	3	23/8	12.2	8.20	8.00	B3	21/2	17/8	6.7
84	10.750	10.500	B3	3	23/8	13.2	8.60	8.40	B3	21/2	17/8	7.0
85	10.875	10.625	B3	3	23/8	13.3	8.70	8.50	B3	21/2	17/8	7.3
88	11.250	11.000	B3	3	23/8	13.5	9.00	8.80	B3	21/2	17/8	7.3
90	11.500	11.250	B3	3	23/8	14.2	9.20	9.00	B3	21/2	17/8	7.6
92	11.750	11.500	B3	3 1/4	23/8	15.0	9.40	9.20	B3	21/2	17/8	7.5
95	12.125	11.875	B3	3 1/4	23/8	15.5	9.70	9.50	B3	21/2	17/8	8.1
96	12.250	12.000	B3	3 1/4	23/8	15.8	9.80	9.60	B3	21/2	17/8	8.1
100	12.750	12.500	B3	3 1/4	23/8	16.5	10.20	10.00	B3	21/2	2	10.3
112	14.250	14.000	B3	3 1/4	23/8	17.7	11.40	11.20	B3	23/4	2	10.3
120	15.250	15.000	B3	3 1/4	23/8	18.4	12.20	12.00	B3	23/4	2	10.4
128	16.250	16.000	B3	3 1/2	23/8	21.3	13.00	12.80	B3	23/4	2	11.5
130	16.500	16.250	B3	3 1/2	23/8	22.0	13.20	13.00	B3	23/4	2	11.9
140	17.750	17.500	B3	3 1/2	23/8	23.5	14.20	14.00	B3	23/4	2	12.8
144	18.250	18.000	B3	3 1/2	23/8	24.2	14.60	14.40	B3	23/4	2	13.4
150	19.000	18.750	B3	3 3/4	21/2	25.5	15.20	15.00	B3	23/4	2	13.4
160	20.250	20.000	B3	3 3/4	21/2	26.6	16.20	16.00	B3	23/4	2	14.4
168	21.250	21.000	B3	3 3/4	21/2	28.9						





# Cast Iron Stock Spur Gears

Pressure Angle **14 1/2°**



Z	<b>12DP 3/4"Face</b>						<b>16DP 1/2"Face</b>					
	Diameter		Type	Hubs		wt Lbs	Diameter		Type	Hubs		wt Lbs
	OD	PD		dm	F+P		OD	PD		dm	F+P	
78	6.666	6.500	B <sub>3</sub>	2 1/2	1 1/2	4.1						
84	7.166	7.000	B <sub>3</sub>	2 1/2	1 1/2	4.4						
90	7.666	7.500	B <sub>3</sub>	2 3/4	1 1/2	5.2						
96	8.166	8.000	B <sub>3</sub>	2 3/4	1 1/2	5.5						
102	8.666	8.500	B <sub>3</sub>	2 3/4	1 1/2	5.6						
108	9.166	9.000	B <sub>3</sub>	2 3/4	1 1/2	6.2						
112	9.500	9.333	B <sub>3</sub>	2 3/4	1 1/2	6.4	7.125	7.000	B <sub>3</sub>	2 1/2	1 1/8	3.4
114	9.666	9.500	B <sub>3</sub>	2 3/4	1 1/2	6.7	7.250	7.125	B <sub>3</sub>	2 1/2	1 1/8	3.4
120	10.166	10.000	B <sub>3</sub>	2 3/4	1 1/2	7.4	7.625	7.500	B <sub>3</sub>	2 1/2	1 1/8	3.5
126	10.666	10.500	B <sub>3</sub>	3	1 1/2	8.1	8.000	7.875	B <sub>3</sub>	2 1/2	1 1/8	3.6
128	10.833	10.666	B <sub>3</sub>	3	1 3/4	9.0	8.125	8.000	B <sub>3</sub>	2 1/2	1 1/8	3.7
144	12.166	12.000	B <sub>3</sub>	3	1 3/4	10.1	9.125	9.000	B <sub>3</sub>	2 3/4	1 1/4	5.0
160	13.500	13.333	B <sub>3</sub>	3	1 3/4	10.4	10.125	10.000	B <sub>3</sub>	2 3/4	1 1/4	5.2
168	14.166	14.000	B <sub>3</sub>	3	1 3/4	10.6	10.625	10.500	B <sub>3</sub>	2 3/4	1 1/4	7.5
192							12.125	12.000	B <sub>3</sub>	2 3/4	1 1/4	8.1

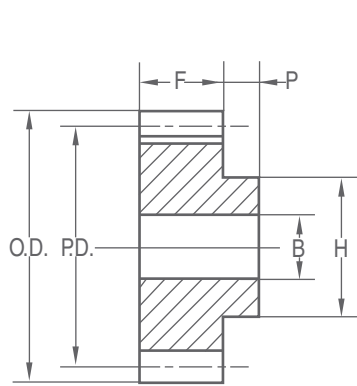
Z	<b>20DP 3/8"Face</b>					
	Diameter		Type	Hubs		wt Lbs
	OD	PD		dm	F+P	
48	2.50	2.40	B <sub>1</sub>	1 1/8	7/8	0.50
64	3.30	3.20	B <sub>1</sub>	1 1/8	7/8	0.68
140	7.10	7.00	B <sub>3</sub>	1 3/4	7/8	2.00
150	7.60	7.50	B <sub>3</sub>	1 3/4	7/8	1.90
156	7.90	7.80	B <sub>3</sub>	1 3/4	7/8	2.12
160	8.10	8.00	B <sub>3</sub>	1 3/4	1	2.34
180	9.10	9.00	B <sub>3</sub>	1 3/4	1	2.66
200	10.10	10.00	B <sub>3</sub>	1 3/4	1	2.84



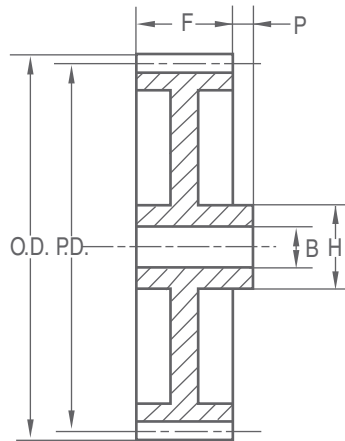


# Steel Stock Spur Gears

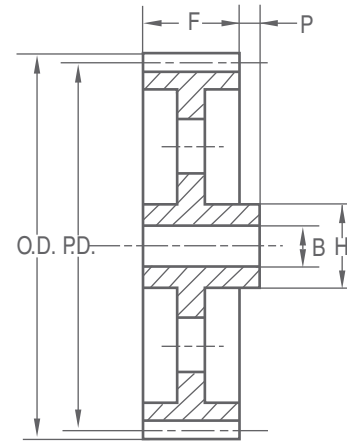
Pressure Angle **20°**



Type B



Type B1



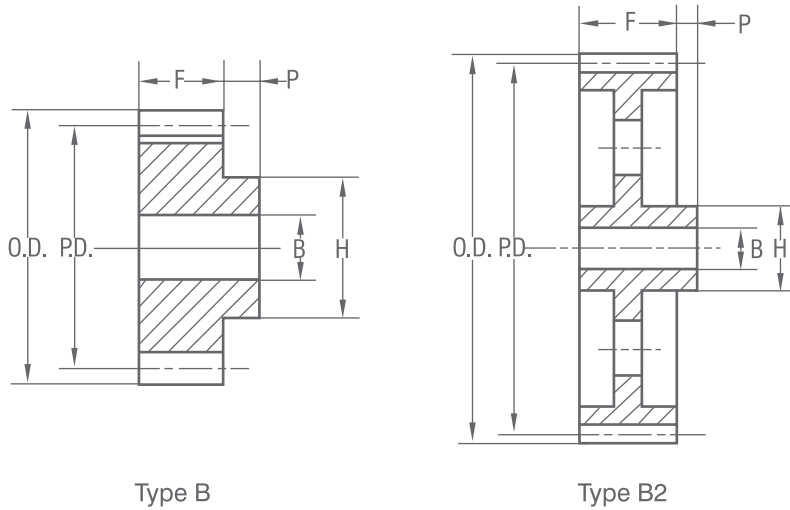
Type B2

Z	4DP 3 1/2" Face						5DP 2 1/2" Face					
	Diameter		Type	Hubs		wt Lbs	Diameter		Type	Hubs		wt Lbs
	OD	PD		dm	F+ P		OD	PD		dm	F+ P	
12	3.500	3.000	B	217/64	43/8	6.8	2.80	2.40	B	125/32	33/8	2.9
14	4.000	3.500	B	249/64	43/8	9.8	3.20	2.80	B	23/16	33/8	4.3
15	4.250	3.750	B	31/64	43/8	11.5	3.40	3.00	B	23/8	33/8	5.2
16	4.500	4.000	B	317/64	43/8	13.3	3.60	3.20	B	219/32	33/8	6.1
18	5.000	4.500	B	349/64	43/8	17.3	4.00	3.60	B	3	33/8	8.0
20	5.500	5.000	B	417/64	43/8	21.8	4.40	4.00	B	33/8	33/8	10.2
22	6.000	5.500	B	449/64	43/8	26.7	4.80	4.40	B	33/4	33/4	13.8
24	6.500	6.000	B	5	43/4	33.7	5.20	4.80	B	33/4	33/4	15.7
25	6.750	6.250	B	5	43/4	39.5	5.40	5.00	B	33/4	33/4	20.3
28	7.500	7.000	B	5	43/4	43.8	6.00	5.60	B	33/4	33/4	22.9
30	8.000	7.500	B	5	43/4	49.4	6.40	6.00	B	33/4	33/4	23.9
32	8.500	8.000	B	5	5	56.8	6.80	6.40	B	33/4	33/4	25.6
35	9.250	8.750	B	5	5	65.1	7.40	7.00	B	33/4	33/4	29.9
36	9.500	9.000	B	5	5	70.0	7.60	7.20	B	33/4	33/4	35.0
40	10.500	10.000	B	5 1/8	5	85.2	8.40	8.00	B	33/4	33/4	38.2
44	11.500	11.000	B	5 1/8	5	101.6	9.20	8.80	B	33/4	33/4	43.5
45	11.750	11.250	B	5 1/8	5	108.7	9.40	9.00	B	33/4	33/4	47.7
48	12.500	12.000	B	5 1/8	5	119.5	10.00	9.60	B	33/4	33/4	55.1
50	13.000	12.500	B	5 1/8	5	125.6	10.40	10.00	B	45/8	33/4	60.3
56	14.500	14.000	B1	5 1/2	5	96.9	11.60	11.20	B	45/8	33/4	75.8
60	15.500	15.000	B2	5 1/2	5	88.1	12.40	12.00	B	45/8	33/4	84.7
64	16.500	16.000	B2	5 1/2	5	86.9	13.20	12.80	B2	5	33/4	49.8
70	18.000	17.500	B2	5 1/2	5	86.4	14.40	14.00	B2	5	33/4	51.6
72	18.500	18.000	B2	5 1/2	5	86.5	14.80	14.40	B2	5	33/4	53.7
80	20.500	20.000	B2	5 1/2	5	90.9	16.40	16.00	B2	5	33/4	55.8
90							18.40	18.00	B2	5	33/4	59.7
100							20.40	20.00	B2	5 1/2	4	69.2
110							22.40	22.00	B2	5 1/2	4	72.3
120							24.40	24.00	B2	6	4	80.2



# Steel Stock Spur Gears

Pressure Angle **20°**

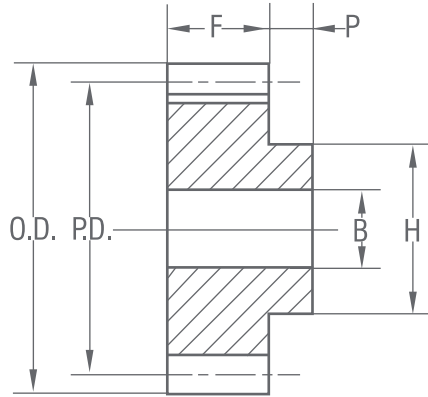


Z	<b>6DP 2"Face</b>						<b>8DP 1 1/2"Face</b>					
	Diameter		Type	Hubs		wt Lbs	Diameter		Type	Hubs		wt Lbs
	OD	PD		dm	F+P		OD	PD		dm	F+P	
11	2.333	2.000	B	1 1/2	27/8	1.6	1.750	1.500	B	11/16	21/4	0.7
12	2.333	2.000	B	1 1/2	27/8	1.6	1.750	1.500	B	1 1/8	21/4	1.2
14	2.666	2.333	B	1 13/16	27/8	2.4	2.000	1.750	B	15/16	21/4	1.2
15	2.833	2.500	B	2	27/8	2.9	2.125	1.875	B	17/16	21/4	1.4
16	3.000	2.666	B	2 1/8	27/8	3.4	2.250	2.000	B	19/16	23/8	1.9
18	3.333	3.000	B	2 1/2	27/8	4.6	2.500	2.250	B	1 13/16	23/8	2.3
19	3.500	3.167	B	2 5/8	27/8	5.1	2.625	2.375	B	2	23/8	2.5
20	3.666	3.333	B	2 3/4	27/8	5.9	2.750	2.500	B	2 1/16	23/8	3.2
21	3.833	3.500	B	3	27/8	6.6	2.875	2.625	B	2 5/16	23/8	3.6
22	4.000	3.666	B	3	27/8	7.5	3.000	2.750	B	2 5/16	23/8	3.9
24	4.333	4.000	B	3	27/8	8.1	3.250	3.000	B	2 9/16	23/8	4.6
26	4.666	4.333	B	3 1/2	27/8	9.5	3.500	3.250	B	2 3/4	23/8	5.2
27	4.833	4.500	B	3 1/2	27/8	10.6	3.625	3.375	B	2 3/4	23/8	5.4
28	5.000	4.666	B	3 1/2	27/8	12.0	3.750	3.500	B	2 3/4	23/8	5.6
30	5.333	5.000	B	4	27/8	13.4	4.000	3.750	B	2 3/4	23/8	6.6
32	5.666	5.333	B	4	27/8	15.5	4.250	4.000	B	3 1/4	23/8	8.6
33	5.833	5.500	B	4	3 1/2	17.8	4.375	4.125	B	3 1/2	23/8	9.4
36	6.333	6.000	B	4	3 1/2	20.4	4.750	4.500	B	3 1/2	23/8	10.2
40	7.000	6.666	B	4	3 1/2	22.5	5.250	5.000	B	3 1/2	23/8	11.4
42	7.333	7.000	B	4	3 1/2	26.2	5.500	5.250	B	3 1/2	21/2	12.3
44	7.666	7.333	B	4	3 1/2	29.5	5.750	5.500	B	3 1/2	21/2	13.5
48	8.333	8.000	B	4	3 1/2	32.8	6.250	6.000	B	3 1/2	21/2	14.2
54	9.333	9.000	B	4	3 1/2	40.4						
60	10.333	10.000	B	4 5/8	3 1/2	50.0						
64	11.000	10.666	B	4 5/8	3 1/2	56.5						
66	11.333	11.000	B	4 5/8	3 1/2	59.8						
72	12.333	12.000	B	4 5/8	3 1/2	70.0						
84	14.333	14.000	B2	5	3 1/2	42.8						
96	16.333	16.000	B2	5	3 1/2	46.0						
108	18.333	18.000	B2	5	3 1/2	48.8						
120	20.333	20.000	B2	5	3 1/2	51.3						



# Steel Stock Spur Gears

Pressure Angle **20°**



Type B

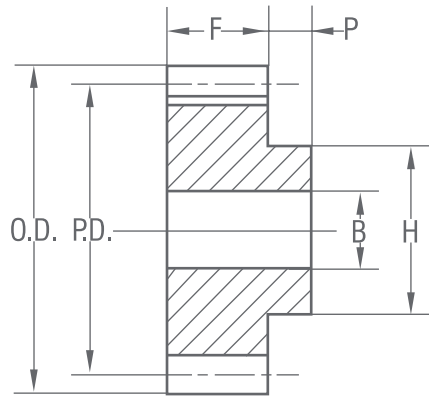


Z	<b>10DP</b>		<b>3 1/4" Face</b>				<b>12DP</b>		<b>1" Face</b>			
	Diameter		Type	Hubs		wt Lbs	Diameter		Type	Hubs		wt Lbs
	OD	PD		dm	F+P		OD	PD		dm	F+P	
12	1.40	1.20	B	29/32	17/8	0.4	1.167	1.000	B	3/4	15/8	0.21
13	1.50	1.30	B	1	17/8	0.5	1.250	1.083	B	13/16	15/8	0.21
14	1.60	1.40	B	17/64	17/8	0.6	1.333	1.167	B	29/32	15/8	0.28
15	1.70	1.50	B	17/32	17/8	0.7	1.417	1.250	B	63/64	15/8	0.34
16	1.80	1.60	B	15/16	17/8	0.8	1.500	1.333	B	11/16	15/8	0.41
18	2.00	1.80	B	111/32	17/8	0.9	1.667	1.500	B	1 1/4	15/8	0.51
19	2.10	1.90	B	19/16	17/8	1.1	1.750	1.583	B	15/16	15/8	0.59
20	2.20	2.00	B	139/64	17/8	1.2	1.833	1.667	B	15/16	15/8	0.65
21	2.30	2.10	B	13/4	17/8	1.3	1.917	1.750	B	125/64	15/8	0.75
22	2.40	2.20	B	113/16	17/8	1.5	2.000	1.833	B	19/16	15/8	0.88
24	2.60	2.40	B	21/64	17/8	1.8	2.166	2.000	B	141/64	15/8	1.06
25	2.70	2.50	B	27/64	17/8	2.0	2.250	2.083	B	113/16	15/8	1.22
26	2.80	2.60	B	21/8	17/8	2.2	2.333	2.167	B	17/8	15/8	1.33
28	3.00	2.80	B	213/32	17/8	2.7	2.500	2.333	B	21/16	15/8	1.60
30	3.20	3.00	B	2 1/2	17/8	3.4	2.667	2.500	B	25/32	15/8	1.83
32	3.40	3.20	B	2 1/2	2 1/8	3.7	2.833	2.667	B	2 1/4	15/8	2.08
35	3.70	3.50	B	2 1/2	2 1/8	4.2	3.084	2.917	B	2 1/4	15/8	2.50
36	3.80	3.60	B	2 1/2	2 1/8	4.3	3.167	3.000	B	2 1/2	17/8	2.98
40	4.20	4.00	B	3 1/2	2 1/8	6.4	3.500	3.333	B	2 1/2	17/8	3.25
42	4.40	4.20	B	3 1/2	2 1/8	6.9	3.666	3.500	B	2 1/2	17/8	3.71
45	4.70	4.50	B	3 1/2	2 1/8	7.5	3.917	3.750	B	2 1/2	17/8	4.50
48	5.00	4.80	B	3 3/4	2 1/8	8.7	4.166	4.000	B	3	17/8	4.99
50	5.20	5.00	B	4	2 1/8	9.9	4.333	4.166	B	3 1/2	17/8	5.80
54	5.60	5.40	B	4	2 1/4	10.8	4.666	4.555	B	3 1/2	17/8	6.51
55	5.70	5.50	B	4	2 1/4	11.5	4.750	4.583	B	3 1/2	17/8	7.25
60	6.20	6.00	B	4	2 1/4	13.1	5.166	5.000	B	3 1/2	17/8	7.63
66							5.666	5.500	B	3 1/2	17/8	8.80
72							6.166	6.000	B	3 1/2	17/8	10.08



# Steel Stock Spur Gears

Pressure Angle **20°**



Type B

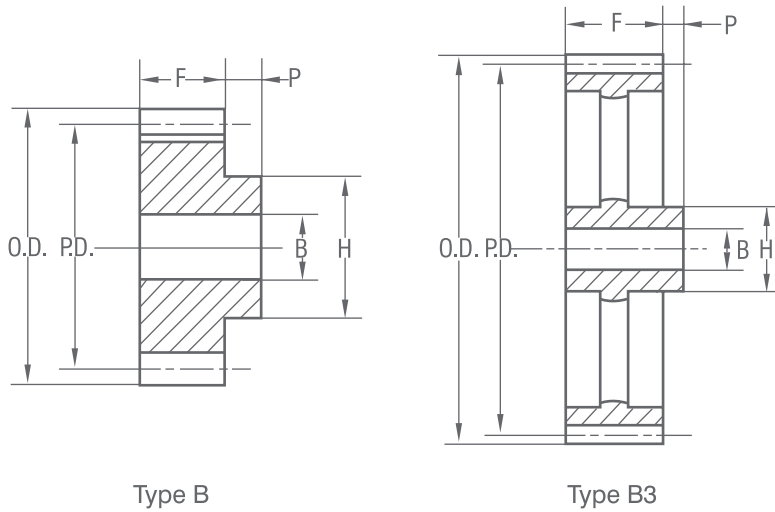


Z	<b>16DP 3/4"Face</b>						<b>20DP 1/2"Face</b>					
	Diameter		Type	Hubs		wt Lbs	Diameter		Type	Hubs		wt Lbs
	OD	PD		dm	F+P		OD	PD		dm	F+P	
12	0.875	0.750	B	9/16	1 1/4	0.09	0.700	0.600	B	15/32	15/16	0.04
13	0.938	0.812	B	5/8	1 1/4	0.11	0.750	0.650	B	1/2	15/16	0.05
14	1.000	0.875	B	11/16	1 1/4	0.14	0.800	0.700	B	35/64	15/16	0.06
15	1.063	0.937	B	3/4	1 1/4	0.17	0.850	0.750	B	39/64	15/16	0.07
16	1.125	1.000	B	13/16	1 1/4	0.17	0.900	0.800	B	21/32	15/16	0.08
17	1.188	1.062	B	7/8	1 1/4	0.20	0.950	0.850	B	3/4	15/16	0.10
18	1.250	1.125	B	15/16	1 1/4	0.24	1.000	0.900	B	3/4	15/16	0.12
20	1.375	1.250	B	1 1/16	1 1/4	0.28	1.100	1.000	B	55/64	15/16	0.13
21	1.438	1.312	B	1 1/8	1 1/4	0.32	1.150	1.050	B	7/8	15/16	0.15
22	1.500	1.375	B	1 3/16	1 1/4	0.36	1.200	1.100	B	31/32	15/16	0.17
24	1.625	1.500	B	1 5/16	1 1/4	0.46	1.300	1.200	B	1 1/16	15/16	0.22
25	1.688	1.562	B	1 3/8	1 1/4	0.48	1.350	1.250	B	1 7/64	15/16	0.24
26	1.750	1.625	B	1 7/16	1 1/4	0.56	1.400	1.300	B	1 3/16	15/16	0.28
28	1.875	1.750	B	1 1/2	1 1/4	0.65	1.500	1.400	B	1 17/64	15/16	0.32
30	2.000	1.875	B	1 5/8	1 1/4	0.77	1.600	1.500	B	1 23/64	15/16	0.38
32	2.125	2.000	B	1 3/4	1 1/4	0.90	1.700	1.600	B	1 7/16	1	0.46
35	2.312	2.187	B	2	1 1/4	1.10	1.850	1.750	B	1 9/16	1	0.56
36	2.375	2.250	B	2	1 1/4	1.18	1.900	1.800	B	1 5/8	1	0.60
40	2.625	2.500	B	2	1 3/8	1.48	2.100	2.000	B	1 13/16	1	0.76
45	2.937	2.812	B	2	1 3/8	1.80	2.350	2.250	B	2	1	0.95
48	3.125	3.000	B	2	1 3/8	1.94	2.500	2.400	B	2	1	1.08
50	3.250	3.125	B	2	1 3/8	2.25	2.600	2.500	B	2	1	1.45
56	3.625	3.500	B	2 1/2	1 3/8	2.79	2.900	2.800	B	2	1	1.68
60	3.825	3.750	B	2 3/4	1 3/8	3.28	3.100	3.000	B	2 1/8	1	1.93
64	4.125	4.000	B	2 3/4	1 1/2	3.74	3.300	3.200	B	2 1/8	1	1.96
70	4.500	4.375	B	3	1 1/2	4.31	3.600	3.500	B	2 3/8	1	2.01
72	4.625	4.500	B	3	1 1/2	4.64	3.700	3.600	B	2 3/8	1	2.35
80	5.125	5.000	B	3 1/2	1 1/2	6.03	4.100	4.000	B	2 1/2	1 1/8	2.53
84	5.375	5.250	B	3 1/2	1 1/2	6.46	4.300	4.200	B	2 1/2	1 1/8	2.82
90	5.750	5.625	B	3 1/2	1 1/2	7.35	4.600	4.500	B	2 1/2	1 1/8	2.95
96	6.125	6.000	B	3 1/2	1 1/2	7.86	4.900	4.800	B	2 1/2	1 1/8	3.10
100	6.375	6.250	B	3 1/2	1 1/2	8.50	5.100	5.000	B	2 1/2	1 1/8	3.35
104	6.250	6.500	B	3 1/2	1 1/2	8.91	5.300	5.200	B	2 1/2	1 1/8	3.95
120							6.100	6.000	B	2 1/2	1 1/8	4.58



# Cast Iron Stock Spur Gear

**20°**  
Pressure Angle



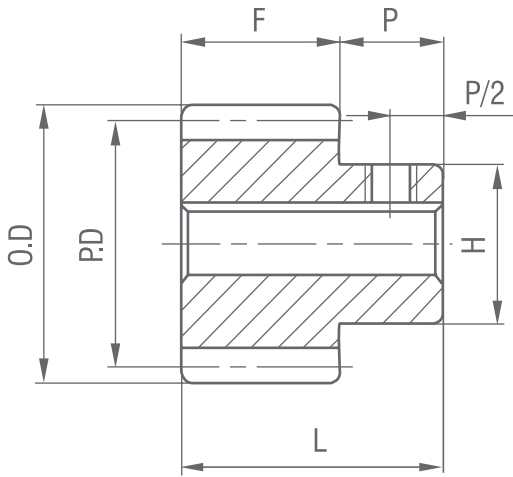
Z	<b>8DP</b>		<b>1 1/2"Face</b>		wt	<b>12DP</b>		<b>1"Face</b>		wt		
	Diameter		Type	Hubs		Diameter		Type	Hubs			
	OD	PD		dm		F+P	Lbs		OD		PD	dm
52	6.750	6.50	B	3	2 1/2	11.9						
56	7.250	7.00	B	3	2 1/2	13.0						
60	7.750	7.50	B <sub>2</sub>	3	2 1/2	12.0						
64	8.250	8.00	B <sub>3</sub>	3	2 1/2	12.1						
72	9.250	9.00	B <sub>3</sub>	3 1/4	2 1/2	14.4						
80	10.250	10.00	B <sub>3</sub>	3 1/4	2 3/4	17.0						
84	10.750	10.50	B <sub>3</sub>	3 1/4	2 3/4	18.0	7.166	7.000	B <sub>3</sub>	2 1/2	1 7/8	5.9
88	11.250	11.00	B <sub>3</sub>	3 1/4	2 3/4	19.0	7.500	7.333	B <sub>3</sub>	2 1/2	1 7/8	6.2
96	12.250	12.00	B <sub>3</sub>	3 1/2	2 3/4	23.7	8.166	8.000	B <sub>3</sub>	2 1/2	1 7/8	7.0
108	13.750	13.50	B <sub>3</sub>	3 1/2	2 3/4	24.5	9.166	9.000	B <sub>3</sub>	2 1/2	1 7/8	7.6
112	14.250	14.00	B <sub>3</sub>	3 1/2	2 3/4	25.0	9.500	9.333	B <sub>3</sub>	2 1/2	1 7/8	8.8
120	15.250	15.00	B <sub>3</sub>	3 1/2	2 3/4	25.8	10.166	10.000	B <sub>3</sub>	2 1/2	1 7/8	10.3
128	16.250	16.00	B <sub>3</sub>	3 1/2	2 3/4	28.0	10.833	10.666	B <sub>3</sub>	2 3/4	2	10.3
144	18.250	18.00	B <sub>3</sub>	3 3/4	2 3/4	32.0	12.166	12.000	B <sub>3</sub>	2 3/4	2	10.4
160	20.250	20.00	B <sub>3</sub>	3 3/4	3	34.8						

Z	<b>10DP</b>		<b>1 1/4"Face</b>		wt	<b>16DP</b>		<b>3/4"Face</b>		wt		
	Diameter		Type	Hubs		Diameter		Type	Hubs			
	OD	PD		dm		F+P	Lbs		OD		PD	dm
70	7.20	7.00	B <sub>3</sub>	2 3/4	2 1/4	8.2						
80	8.20	8.00	B <sub>3</sub>	2 3/4	2 1/4	11.2						
90	9.20	9.00	B <sub>3</sub>	3	2 1/4	11.7						
100	10.20	10.00	B <sub>3</sub>	3	2 3/8	12.2						
112							7.125	7.00	B <sub>3</sub>	2 1/2	1 1/2	4.4
128							8.125	8.00	B <sub>3</sub>	2 3/4	1 1/2	5.5
144							9.125	9.00	B <sub>3</sub>	2 3/4	1 1/2	6.4
160							10.125	10.00	B <sub>3</sub>	2 3/4	1 1/2	8.1
192							12.125	12.00	B <sub>3</sub>	3	1 3/4	10.1



# Steel Stock Spur Gears

Pressure Angle **14 1/2°**

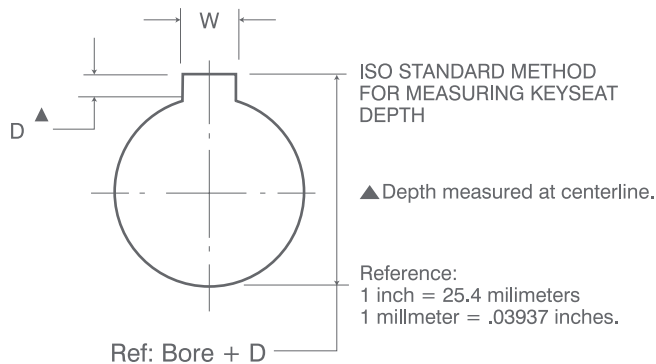


## 8DP 1 1/4" Face

PART NO.	Z	Diameter		Type	stock Bores Marked "●"					Dimensions				wt Lbs	
		PD	OD		5/8	3/4	7/8	1"	1 1/8	F	L	P	H		
FB8S12	12	1.500	1.75	1	●						1 1/4	2	3/4	1 1/8	0.5
FB8S14	14	1.750	2.00	1		●					1 1/4	2	3/4	1 3/8	0.8
FB8S15	15	1.875	2.12	1		●					1 1/4	2	3/4	1 1/2	1.0
FB8S16	16	2.000	2.25	1		●	●	●			1 1/4	2	3/4	1 5/8	1.2
FB8S18	18	2.250	2.50	1		●	●	●	●		1 1/4	2	3/4	1 7/8	1.6
FB8S20	20	2.500	2.75	1		●	●	●	●		1 1/4	2	3/4	2 1/8	2.2
FB8S22	22	2.750	3.00	1		●	●	●	●		1 1/4	2	3/4	2 3/8	2.6

## 10DP 1" Face

PART NO.	Z	Diameter		Type	stock Bores Marked "●"					Dimensions				wt Lbs	
		PD	OD		1/2	5/8	3/4	7/8	1"	F	L	P	H		
FB10S12	12	1.200	1.40		●						1	1 5/8	5/8	29/32	0.3
FB10S14	14	1.400	1.60			●					1	1 5/8	5/8	17/64	0.4
FB10S15	15	1.500	1.70			●					1	1 5/8	5/8	17/32	0.5
FB10S16	16	1.600	1.80			●	●				1	1 5/8	5/8	15/16	0.6
FB10S18	18	1.800	2.00				●	●			1	1 5/8	5/8	133/64	0.7
FB10S20	20	2.000	2.20				●	●	●		1	1 5/8	5/8	123/32	0.9
FB10S24	24	2.400	2.60				●	●	●		1	1 5/8	5/8	27/64	1.6



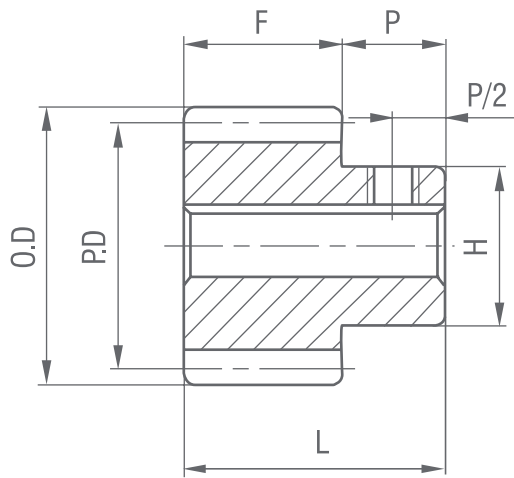
### Standard Keyseat

Bore Range	Keyseat
3/8"-7/16"	None
1/2"-9/16"	1/8"x1/16"
5/8"-7/8"	3/16"x3/32"
15/16"-1 1/4"	1/4"x1/8"



# Steel Stock Spur Gears

Pressure Angle **14 1/2°**



## 12DP 3/4"Face

PART NO.	Z	Diameter		Type	stock Bores Marked "●"					Dimensions				wt	
		PD	OD		1/2	5/8	3/4	7/8	1"	F	L	P	H	Lbs	
FB12S11	11	1.000	1.16	1	●						3/4	1 1/4	1/2	3/4	0.1
FB12S12	12	1.000	1.16	1	●						3/4	1 1/4	1/2	3/4	0.1
FB12S13	13	1.083	1.25	1	●						3/4	1 1/4	1/2	13/16	0.2
FB12S14	14	1.167	1.33	1	●						3/4	1 1/4	1/2	29/32	0.2
FB12S15	15	1.250	1.41	1	●						3/4	1 1/4	1/2	1	0.3
FB12S16	16	1.333	1.50	1	●						3/4	1 1/4	1/2	1 1/16	0.3
FB12S18	18	1.500	1.66	1		●					3/4	1 1/4	1/2	1 1/4	0.4
FB12S20	20	1.667	1.83	1		●	●				3/4	1 1/4	1/2	1 13/32	0.5
FB12S21	21	1.750	1.91	1		●	●	●			3/4	1 1/4	1/2	1 1/2	0.6
FB12S22	22	1.833	2.00	1		●	●	●	●		3/4	1 1/4	1/2	1 9/16	0.7
FB12S24	24	2.000	2.16	1		●	●	●	●		3/4	1 1/4	1/2	1 3/4	0.8

## 16DP 1/2"Face

PART NO.	Z	Diameter		Type	stock Bores Marked "●"					Dimensions				wt	
		PD	OD		5/16	3/8	1/2	5/8	3/4	F	L	P	H	Lbs	
FB16S12	12	0.750	0.87	1	●						1/2	15/16	7/16	9/16	0.1
FB16S13	13	0.813	0.93	1		●					1/2	15/16	7/16	5/8	0.1
FB16S14	14	0.875	1.00	1		●					1/2	15/16	7/16	11/16	0.13
FB16S15	15	0.938	1.06	1		●	●				1/2	15/16	7/16	3/4	0.13
FB16S16	16	1.000	1.12	1		●	●				1/2	15/16	7/16	13/16	0.19
FB16S18	18	1.125	1.25	1			●				1/2	15/16	7/16	15/16	0.21
FB16S20	20	1.250	1.37	1			●	●			1/2	15/16	7/16	1 1/16	0.23
FB16S22	22	1.375	1.50	1			●	●			1/2	15/16	7/16	1 3/16	0.25
FB16S24	24	1.500	1.62	1			●	●	●		1/2	15/16	7/16	1 5/16	0.31
FB16S26	26	1.625	1.75	1			●	●	●		1/2	15/16	7/16	1 7/16	0.44
FB16S28	28	1.750	1.87	1			●	●	●		1/2	1	1/2	1 1/2	0.50
FB16S30	30	1.875	2.00	1			●	●	●		1/2	1	1/2	1 5/8	0.60
FB16S32	32	2.000	2.12	1			●	●	●		1/2	1	1/2	1 3/4	0.69