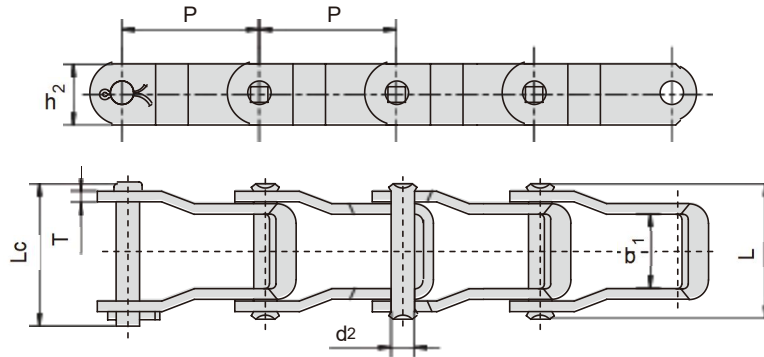
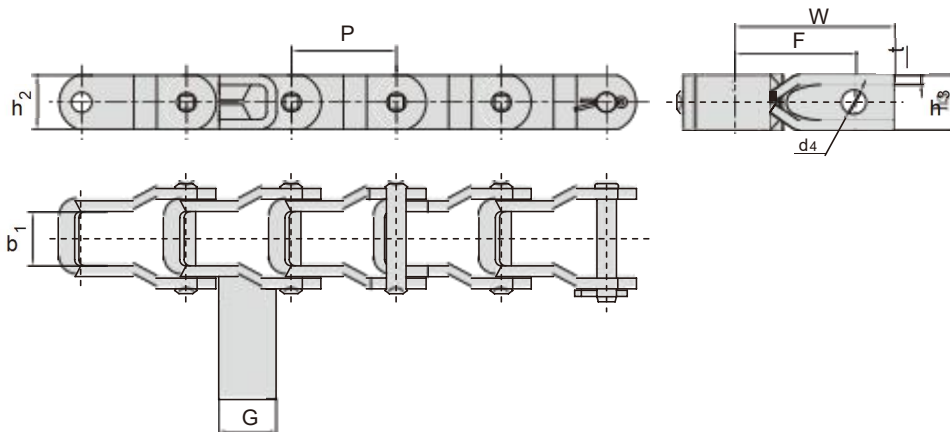


钢制销合链
Steel pintle chains



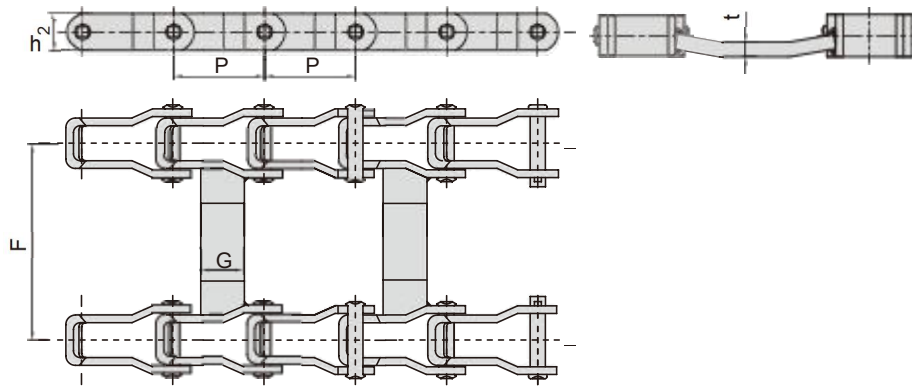
Hawkvine Chain No.	节距	内节内宽	销轴直径	销轴长度		链板高度	链板厚度	抗拉强度	平均抗拉强度	每米长重
	Pitch	Width between inner plates	Pin diameter	L max	Lc max	Plate depth	Plate thickness	Tensile strength	Average tensile strength	Weight per meter
	P	b1 min	d2 max	mm	mm	h2 max	T	Q min	Q0	q
	mm	mm	mm	mm	mm	mm	mm	kN/lbf	kN	kg/m
662	42.27	22.9	7.19	41.2	44.2	18.8	3.2	37.80/8591	49.8	1.63
667H	58.75	25.4	7.94	43.7	46.7	22.2	3.2	42.30/9614	59.3	1.87
667X	57.15	26.6	11.10	50.2	55.0	23.8	4.3	66.70/15159	96.5	2.98
667XH	57.15	27.4	11.91	58.0	62.0	27.3	5.7	124.50/28295	138.6	4.34
667K	57.15	27.4	11.10	55.5	60.0	27.3	5.1	89.00/20227	123.2	3.91
667J	57.15	26.6	9.53	50.2	55.0	27.3	4.3	62.28/14155	84.1	2.81
88K	66.27	27.4	11.10	55.5	60.0	27.3	5.1	89.00/20227	123.2	3.73
88C	66.27	31.4	12.70	64.6	69.0	28.9	6.4	133.36/30309	160.5	5.17
308	78.10	32.5	15.88	72.6	78.0	38.1	8.0	227.00/51030	249.7	8.40



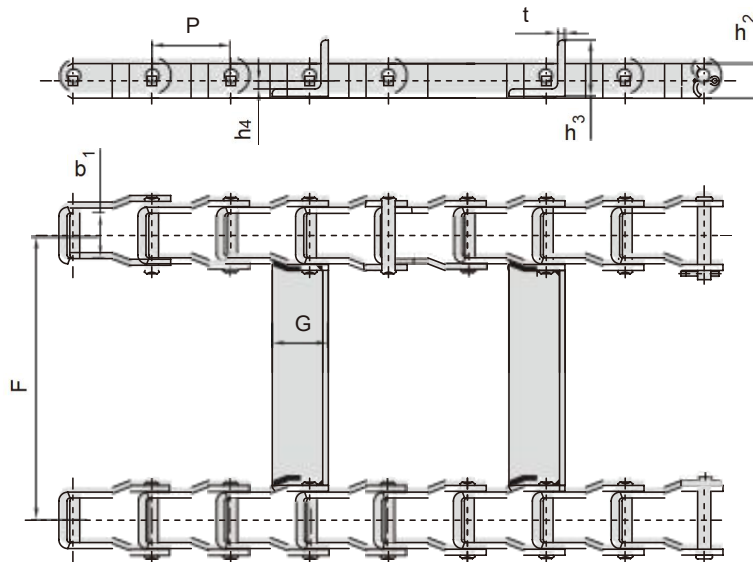
Hawkvine Chain No.	节距	内节内宽	链板高度	附板尺寸						抗拉强度
	Pitch	Width between inner plates	Plate depth	Attachment dimension						Tensile strength
	P	b1 min	h2 max	G	F	W	h3	d4	t	Q min
	mm	mm	mm	mm	mm	mm	mm	mm	mm	kN/lbf
662F7	42.27	22.9	18.8	23.1	49.2	64.7	22.2	9.9	4.0	37.80/8597
662HF2	42.27	21.8	22.2	23.1	49.2	64.7	22.2	9.9	4.0	50.80/11420

钢制销合链

Steel pintle chains



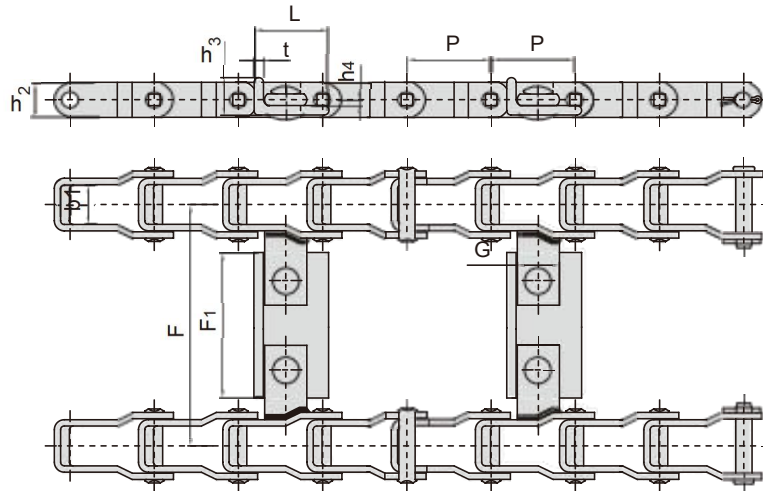
Hawkvine Chain No.	节距	内节内宽	链板高度	附板尺寸			抗拉强度
	Pitch	Width between inner plates	Plate depth	Attachment dimension			Tensile strength
	P	b1 min	h2 max	G	F	t	Q min
	mm	mm	mm	mm	mm	mm	kN/lbf
667KF2SS	57.15	27.80	27.30	38.10	536.70	9.70	67.00/15062
667KF3SS	57.15	27.80	27.30	38.10	714.20	9.70	67.00/15062
88KF10	66.27	27.40	27.30	31.75	604.20	9.50	37.80/8497



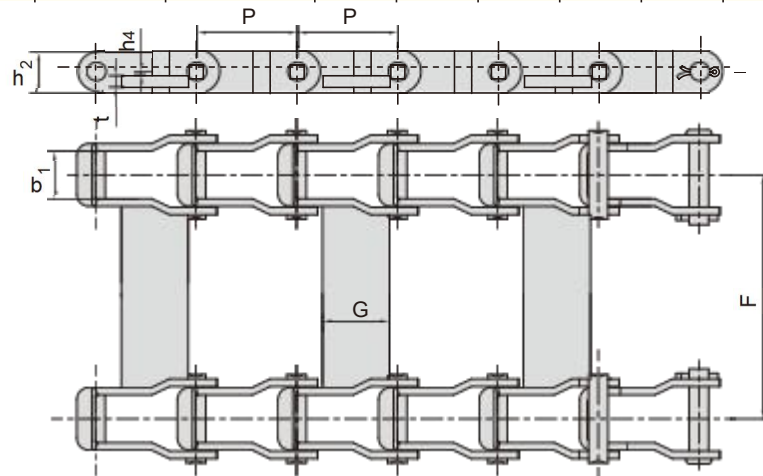
Hawkvine Chain No.	节距	内节内宽	链板高度	附板尺寸					抗拉强度
	Pitch	Width between inner plates	Plate depth	Attachment dimension					Tensile strength
	P	b1 min	h2 max	G	F	t	h ³	h ⁴	Q min
	mm	mm	mm	mm	mm	mm	mm	mm	kN/lbf
662F4	42.27	22.9	18.8	30.0	539.75	3.0	30.00	5.25	37.80/8597
662HF3	42.27	21.8	22.2	30.0	487.35	3.0	30.00	7.10	50.80/11420

钢制销合链

Steel pintle chains



Hawkvine Chain No.	节距 Pitch	内节内宽 Width between inner plates	链板高度 Plate depth	附板尺寸 Attachment dimension							抗拉强度 Tensile strength
	P	b1 min	h2 max	G	F	F1	L	t	h3	h4	Q min
	mm	mm	mm	mm	mm	mm	mm	mm	mm	mm	kN/lbf
667X-ASF10	57.15	27.00	23.80	28.60	814.40	749.30	50.80	4.80	25.40	4.00	66.70/14994
667X-ASF11	57.15	27.00	23.80	28.60	1450.90	1385.80	50.80	4.80	25.40	4.00	66.70/14994
667K-ASF9	57.15	27.80	27.00	31.75	1736.70	1671.60	50.80	6.40	38.10	4.80	66.70/14994



Hawkvine Chain No.	节距 Pitch	内节内宽 Width between inner plates	链板高度 Plate depth	附板尺寸 Attachment dimension				抗拉强度 Tensile strength
	P	b1 min	h2 max	G	F	t	h4	Q min
	mm	mm	mm	mm	mm	mm	mm	kN/lbf
662F1	42.27	26.6	18.8	19.0	343.5	5.0	4.40	37.80/8597
667X-ASF3	57.15	26.6	23.8	38.0	514.4	7.0	0.00	66.70/14994