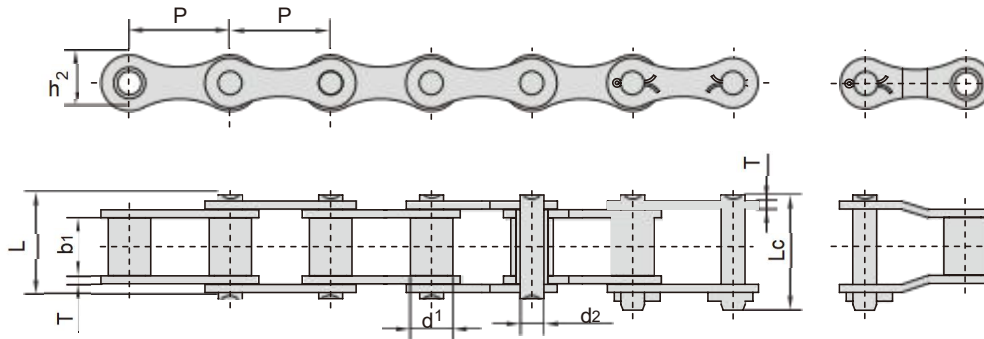
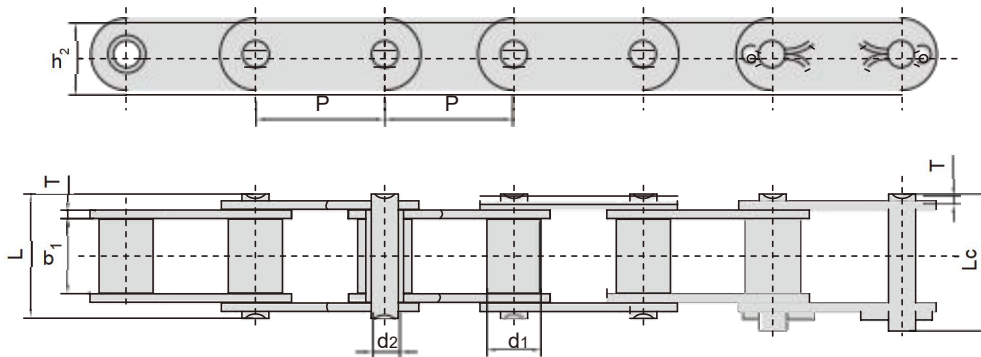


ZGS38联合收割机链及附件

ZGS38 combine chain with attachments



Hawkvine Chain No.	节距	滚子直径	内节内宽	销轴直径	销轴长度		内链板高度	链板厚度	抗拉强度	平均抗拉强度	每米长重
	Pitch	Roller diameter	Width between inner plates	Pin diameter	Pin length		Inner plate depth	Plate thickness	Tensile strength	Average tensile strength	Weight per meter
	P	d1 max	b1 min	d2 max	L max	Lc max	h2 max	T max	Q min	Q0	q
	mm	mm	mm	mm	mm	mm	mm	mm	kN/lbf	kN	kg/m
ZGS38	38.0	16.00	22.0	9.00	39.0	43.0	21.5	3.0	45.0/10116	54.0	2.00
ZGS38HF7	38.0	16.00	22.0	9.00	47.0	51.0	21.5	5.0	80.0/18000	88.0	2.74
ZGS38F42	38.0	16.00	22.0	9.00	43.2	46.5	21.5	4.0	45.0/10116	54.0	2.43

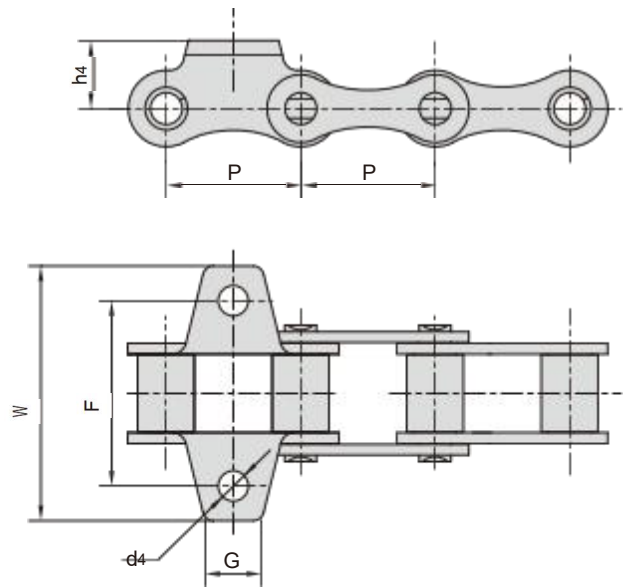


Hawkvine Chain No.	节距	滚子直径	内节内宽	销轴直径	销轴长度		内链板高度	链板厚度	抗拉强度	平均抗拉强度	每米长重
	Pitch	Roller diameter	Width between inner plates	Pin diameter	Pin length		Inner plate depth	Plate thickness	Tensile strength	Average tensile strength	Weight per meter
	P	d1 max	b1 min	d2 max	L max	Lc max	h2 max	T max	Q min	Q0	q
	mm	mm	mm	mm	mm	mm	mm	mm	kN/lbf	kN	kg/m
CZGS38F10	38.0	15.88	22.0	7.92	39.0	43.0	21.3	3.0	45.0/10116	54.0	2.39
CZGS38F11	38.0	15.88	22.0	7.92	37.1	41.0	21.2	2.5	30.0/6745	33.0	2.10
CZGS38HF12	38.0	15.88	22.0	7.92	39.9	42.7	21.2	3.2	45.0/10116	54.0	2.42
CZGS38F13	38.0	16.00	22.0	9.00	39.0	43.0	21.5	3.0	45.0/10116	54.0	2.42
CZGS38HF36	38.0	15.88	22.0	7.92	40.5	44.0	21.3	3.5	50.0/11241	55.0	2.63

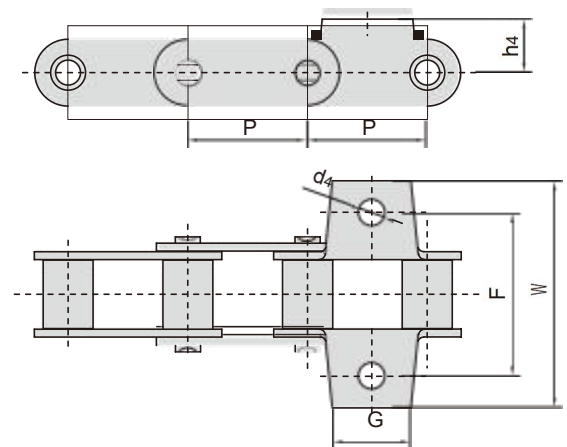
ZGS38联合收割机链及附件

ZGS38 combine chain with attachments

Hawkvine Chain No.	P	G	F	W	h ⁴	d ⁴
	mm	mm	mm	mm	mm	mm
ZGS38F2	38.0	16.0	52.0	71.5	19.6	11.0
ZGS38F6K1	38.0	16.0	52.0	74.6	19.6	8.5
ZGS38F10K1	38.0	20.0	52.0	72.0	17.0	8.4
ZGS38F13K1F1	38.0	20.0	52.0	80.0	17.0	8.6
ZGS38HF12K1F1	38.0	25.0	52.0	72.0	17.0	8.4
ZGS38F18	38.0	16.0	52.0	69.6	19.6	8.5
ZGS38F42K1	38.0	16.0	52.0	74.6	19.6	8.5
ZGS38F43K1	38.0	16.0	52.0	74.6	19.6	11.0
ZGS38F46	38.0	16.0	52.0	74.6	20.0	8.5

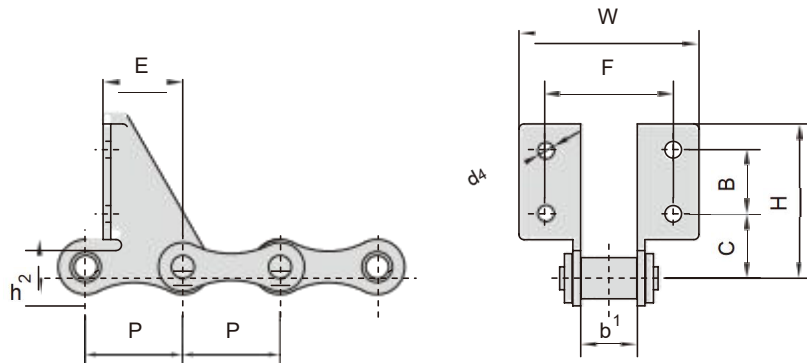


Hawkvine Chain No.	P	G	F	W	h ⁴	d ⁴
	mm	mm	mm	mm	mm	mm
CZGS38F10K1	38.0	20.0	52.0	72.0	17.0	8.4
CZGS38F13K1F1	38.0	26.5	52.0	80.0	17.0	8.6

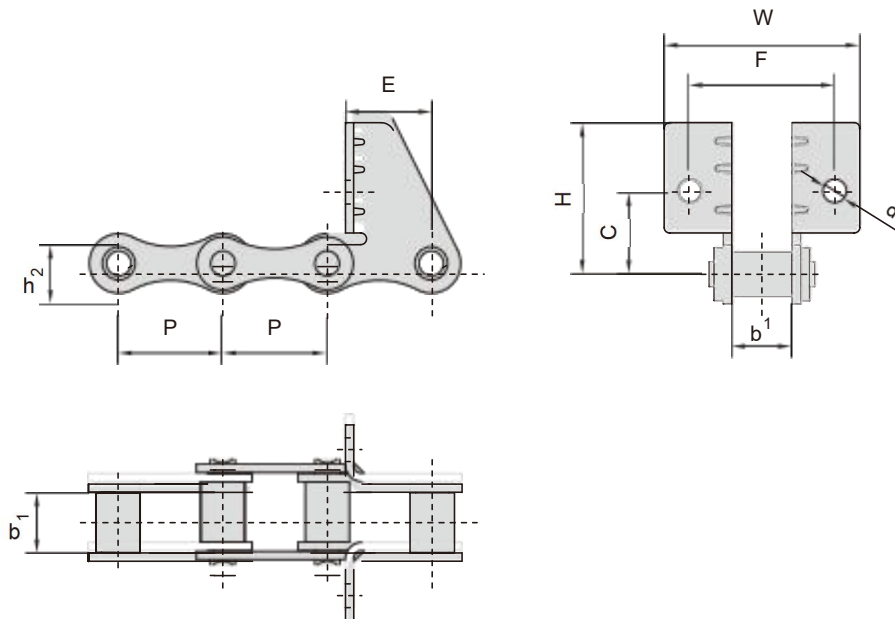


ZGS38联合收割机链及附件

ZGS38 combine chain with attachments



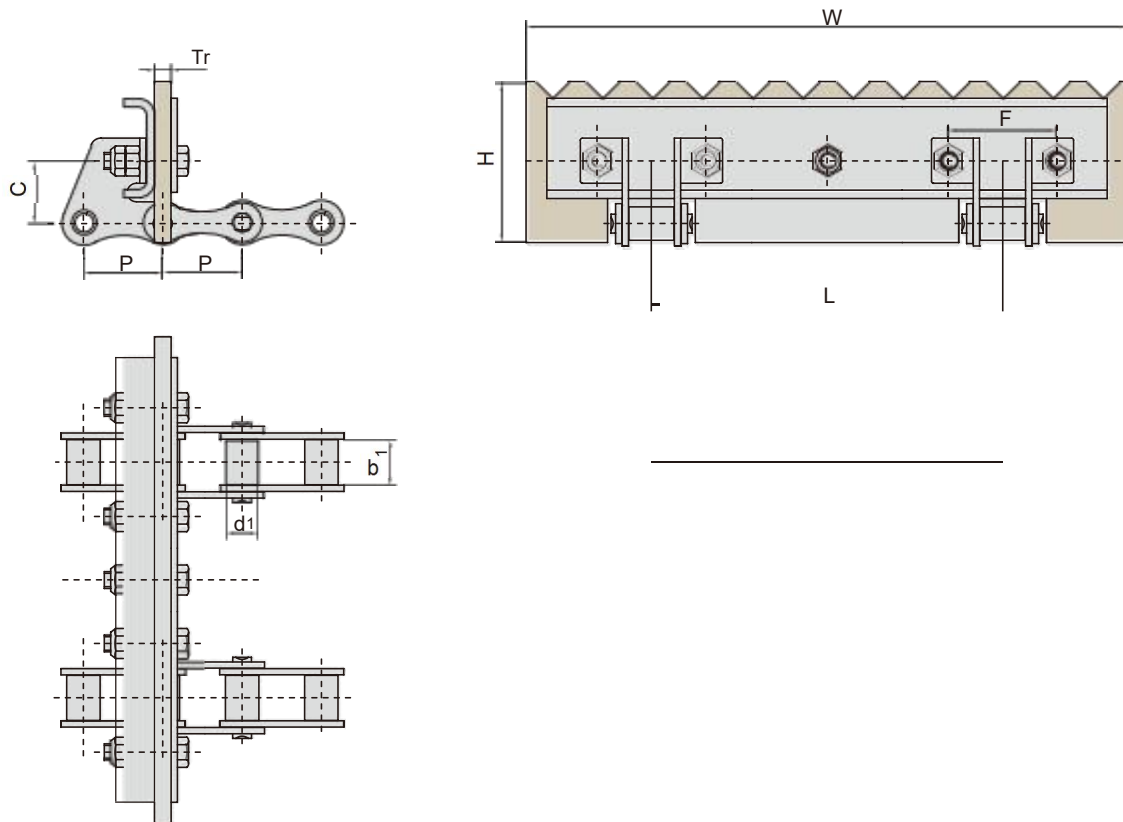
Hawkvine Chain No.	P	b ₁	C	B	F	W	d ₄	E	H	h ₂
	mm	mm	mm	mm	mm	mm	mm	mm	mm	mm
ZGS38F5	38.0	22.0	32.0	25.0	52.0	72.0	7.0	31.0	67.0	21.5
ZGS38F8	38.0	22.0	32.0	25.0	52.0	68.0	7.0	31.0	67.0	21.5
ZGS38F14SD	38.0	22.0	25.0	25.0	50.0	70.0	6.5	31.0	60.0	21.5
ZGS38F44	38.0	22.0	25.0	25.0	52.0	72.0	7.2	30.0	60.0	21.5



Hawkvine Chain No.	P	b ₁	C	F	W	d ₄	E	H	h ₂
	mm	mm	mm	mm	mm	mm	mm	mm	mm
ZGS38SDF4	38.0	22.0	30.0	52.0	70.0	8.5	31.8	55.0	21.5
ZGS38F35	38.0	22.0	29.8	53.0	71.0	8.7	31.3	55.0	21.5

ZGS38联合收割机链及附件

ZGS38 combine chain with attachments

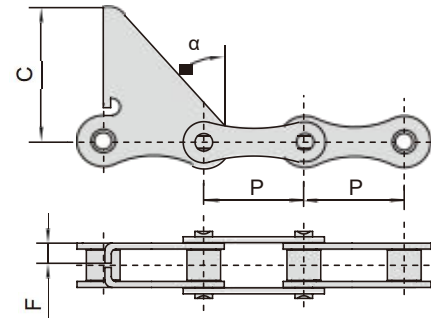


Hawkvine Chain No.	节距	滚子直径	内节内宽	橡胶附板尺寸				
	Pitch	Roller diameter	Width between inner plates	Rubber attachment dimension				
	P	d1 max	b1 max	W max	L	H max	F	Tr
	mm	mm	mm	mm	mm	mm	mm	mm
ZGS38F47	38.0	16.0	22.0	480.0	360.0	77.0	52.0	8.0

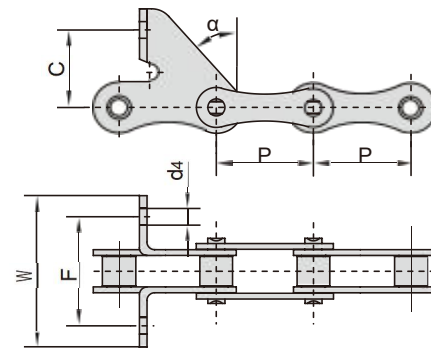
ZGS38联合收割机链及附件

ZGS38 combine chain with attachments

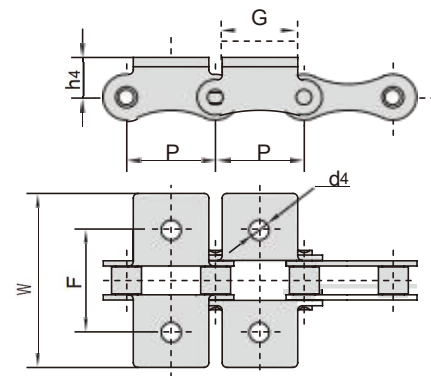
Hawkvine Chain No.	P	C	F	α
	mm	mm	mm	
ZGS38F1	38.0	60.0	14.0	32.5°



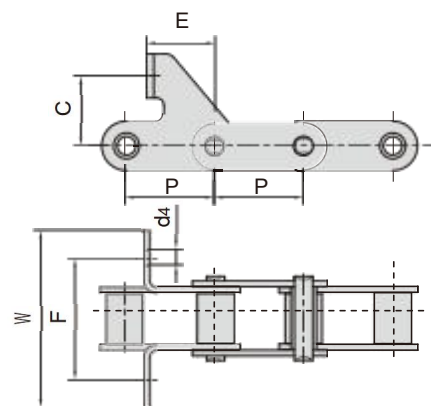
Hawkvine Chain No.	P	C	F	W	d4	α
	mm	mm	mm	mm	mm	
ZGS38F3	38.0	30.0	52.0	68.4	6.50	43.5°
ZGS38SDF1	38.0	30.0	52.0	68.4	8.50	43.5°
ZGS38SDF5	38.0	30.0	52.0	68.0	8.60	40.5°
ZGS38SDF6	38.0	30.0	52.0	68.0	8.50	40.5°
ZGS38F32SD	38.0	30.0	52.0	68.4	6.50	43.5°



Hawkvine Chain No.	P	G	F	W	h4	d4
	mm	mm	mm	mm	mm	mm
ZGS38K1	38.0	32.0	53.0	83.2	20.0	8.5



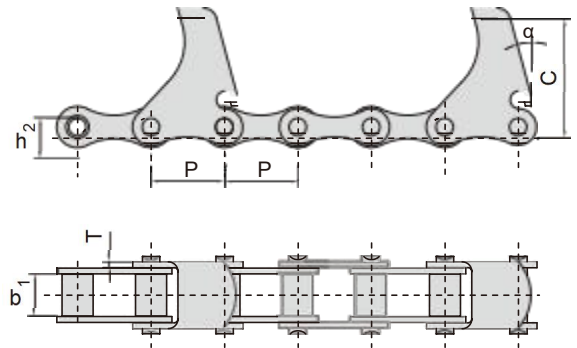
Hawkvine Chain No.	P	C	F	W	d4	E
	mm	mm	mm	mm	mm	mm
CZGS38F10SD	38.0	30.0	52.0	80.0	6.6	19.0
CZGS38F11SDF1	38.0	30.0	52.0	76.0	6.6	29.5



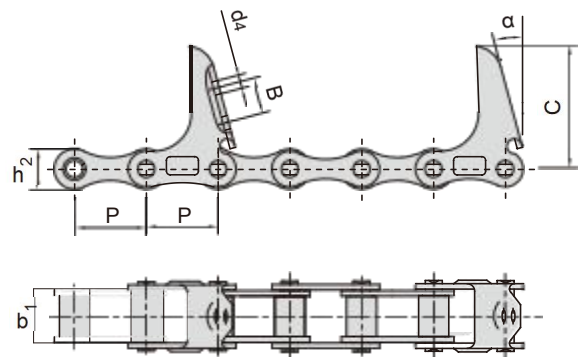
ZGS38联合收割机链及附件

ZGS38 combine chain with attachments

Hawkvine Chain No.	P	b ¹	h ²	T	C	α
	mm	mm	mm	mm	mm	
ZGS38-C6E	38.0	22.0	21.5	3.0	62.0	15°
ZGS38-C6EF1	38.0	22.0	21.5	3.0	72.0	10°
ZGS38-C6EF2	38.0	22.0	21.5	3.0	84.0	15°
ZGS38-C6EF3	38.0	22.0 pin</td <td>21.5</td> <td>3.0</td> <td>53.0</td> <td>13°</td>	21.5	3.0	53.0	13°
ZGS38-C6EF4	38.0	22.0	21.5	3.0	55.0	13°
ZGS38-CPEF6	38.0	22.0	21.5	3.0	75.0	15°



Hawkvine Chain No.	P	b ¹	h ²	d ⁴	C	B	α
	mm	mm	mm	mm	mm	mm	
ZGS38-CPEF3	38.0	22.0	65.4	7.3	65.4	19.5	15°



Hawkvine Chain No.	P	b ¹	C	α
	mm	mm	mm	
ZGS38-CPEF1	38.0	22.0	60.0	22.5°

