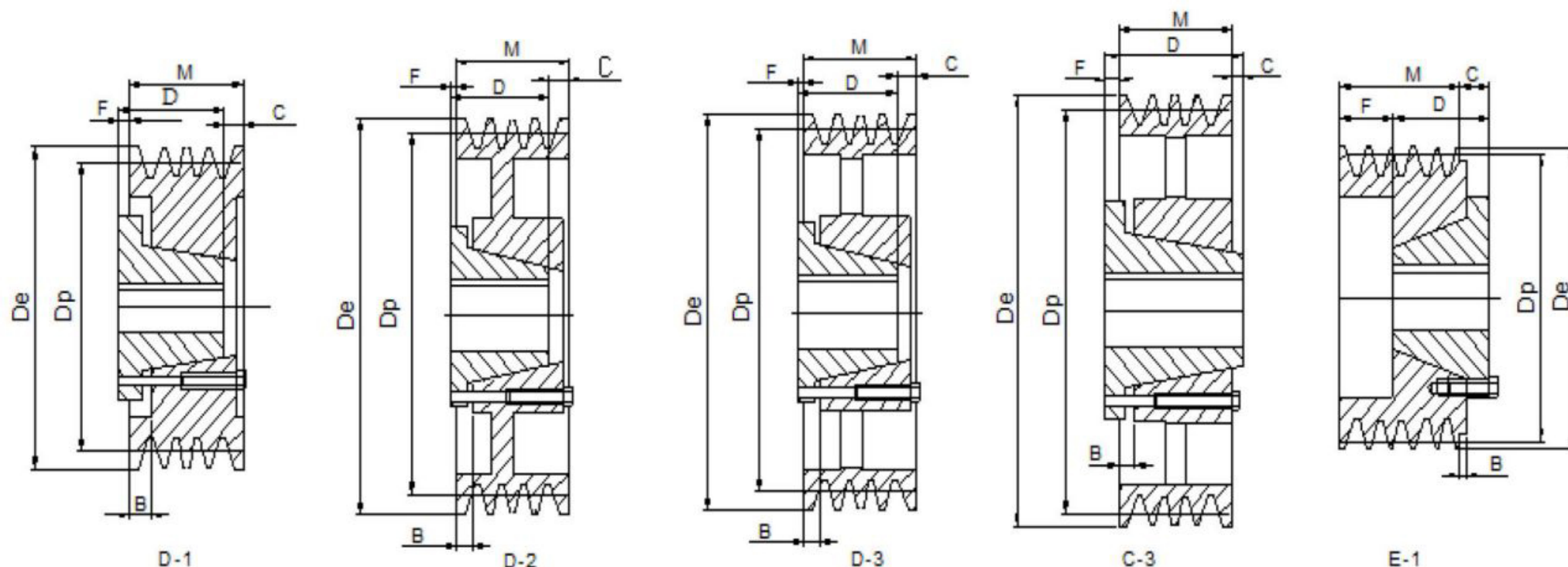




**3V QD SHEAVES**



**3V-1**

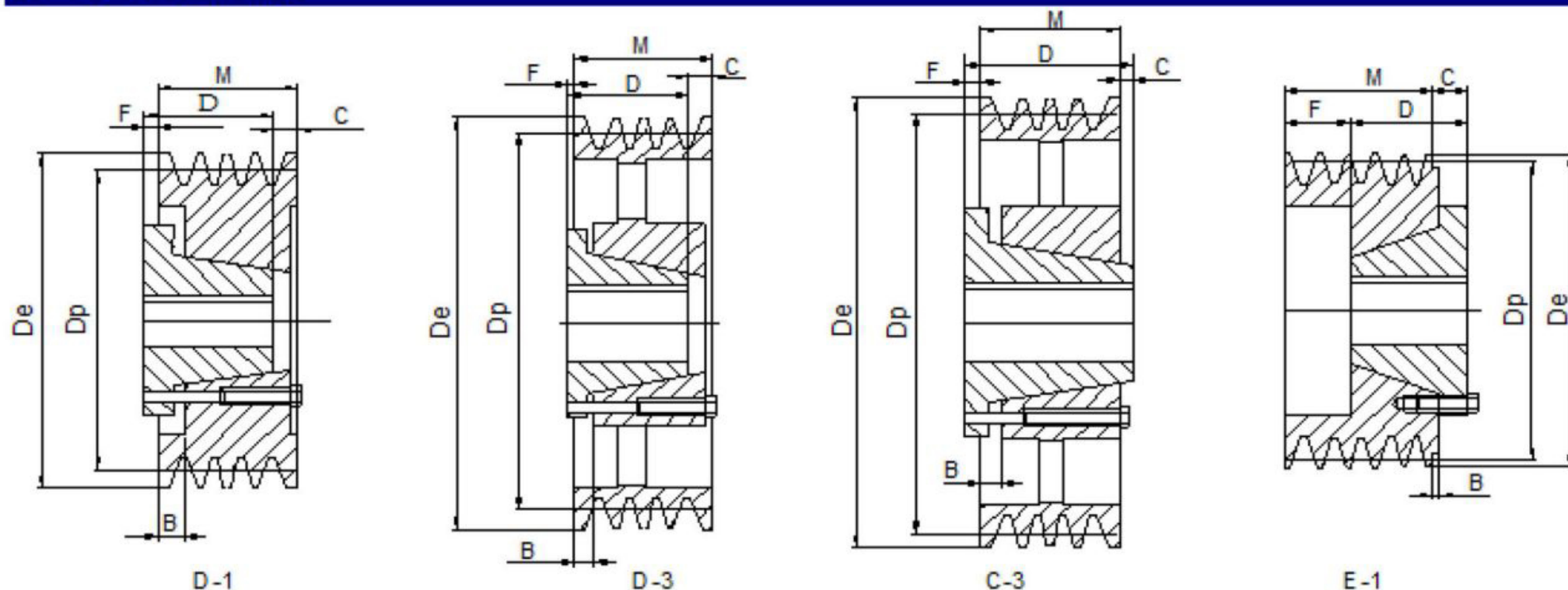
**M=11/16" (17.47mm)**

| SIZE<br>规格    | De<br>外径 | Dp<br>节径 | Bush Max Bore<br>最大孔径 | Bush | Form<br>型号 | Dimension |         |      |         |       |
|---------------|----------|----------|-----------------------|------|------------|-----------|---------|------|---------|-------|
|               |          |          |                       |      |            | Di        | F       | B    | D       | C     |
| 1 3V 220 JA   | 2.20     | 2.15     | 1 1/4                 | JA   | E-1        | -         | 9/16    | 7/16 | 1 1/16  | 15/16 |
| 1 3V 235 JA   | 2.35     | 2.30     | 1 1/4                 | JA   | E-1        | -         | 9/16    | 7/16 | 1 1/16  | 15/16 |
| 1 3V 250 JA   | 2.50     | 2.45     | 1 1/4                 | JA   | E-1        | -         | 9/16    | 7/16 | 1 1/16  | 15/16 |
| 1 3V 265 JA   | 2.65     | 2.60     | 1 1/4                 | JA   | C-1        | -         | 3/8     | 1/8  | 1 1/16  | -     |
| 1 3V 280 JA   | 2.80     | 2.75     | 1 1/4                 | JA   | C-1        | -         | 3/8     | 1/8  | 1 1/16  | -     |
| 1 3V 300 JA   | 3.00     | 2.95     | 1 1/4                 | JA   | C-1        | -         | 3/8     | 1/8  | 1 1/16  | -     |
| 1 3V 315 JA   | 3.15     | 3.10     | 1 1/4                 | JA   | C-1        | -         | 3/8     | 1/8  | 1 1/16  | -     |
| 1 3V 335 JA   | 3.35     | 3.30     | 1 1/4                 | JA   | C-1        | -         | 3/8     | 1/8  | 1 1/16  | -     |
| 1 3V 365 SH   | 3.65     | 3.60     | 1 11/16               | SH   | D-1        | -         | 9/16    | -    | 1 5/16  | 1/16  |
| 1 3V 412 SH   | 4.12     | 4.07     | 1 11/16               | SH   | D-1        | -         | 9/16    | -    | 1 5/16  | 1/16  |
| 1 3V 450 SH   | 4.50     | 4.45     | 1 11/16               | SH   | D-2        | 3         | 9/16    | -    | 1 5/16  | 1/16  |
| 1 3V 475 SH   | 4.75     | 4.70     | 1 11/16               | SH   | D-2        | 3         | 9/16    | -    | 1 5/16  | 1/16  |
| 1 3V 500 SH   | 5.00     | 4.90     | 1 11/16               | SH   | D-2        | 3         | 9/16    | -    | 1 5/16  | 1/16  |
| 1 3V 530 SH   | 5.30     | 5.25     | 1 11/16               | SH   | D-2        | 3         | 9/16    | -    | 1 5/16  | 1/16  |
| 1 3V 560 SH   | 5.60     | 5.55     | 1 11/16               | SH   | D-2        | 3         | 9/16    | -    | 1 5/16  | 1/16  |
| 1 3V 600 SH   | 6.00     | 5.95     | 1 11/16               | SH   | D-2        | 3         | 9/16    | -    | 1 5/16  | 1/16  |
| 1 3V 650 SH   | 6.50     | 6.45     | 1 11/16               | SH   | D-3        | 3         | 9/16    | -    | 1 5/16  | 1/16  |
| 1 3V 690 SH   | 6.90     | 6.85     | 1 11/16               | SH   | D-3        | 3         | 9/16    | -    | 1 5/16  | 1/16  |
| 1 3V 800 SDS  | 8.00     | 7.95     | 2                     | SDS  | C-3        | 3 1/2     | 5/8     | -    | 1 3/8   | -     |
| 1 3V 1060 SDS | 10.60    | 10.55    | 2                     | SDS  | C-3        | 3 1/2     | 5/8     | -    | 1 3/8   | -     |
| 1 3V 1400 SK  | 14.00    | 13.95    | 2 5/8                 | SK   | C-3        | 4 3/8     | 1 11/16 | -    | 1 15/16 | -     |
| 1 3V 1900 SK  | 19.00    | 18.95    | 2 5/8                 | SK   | C-3        | 4 3/8     | 1 11/16 | -    | 1 15/16 | -     |

F=3/4" for 1 3V 800 SDS and 1 3V 1060 SDS, F=13/16" for 1 3V1400 SK and 1 3V 1900 SK



**3V QD SHEAVES**



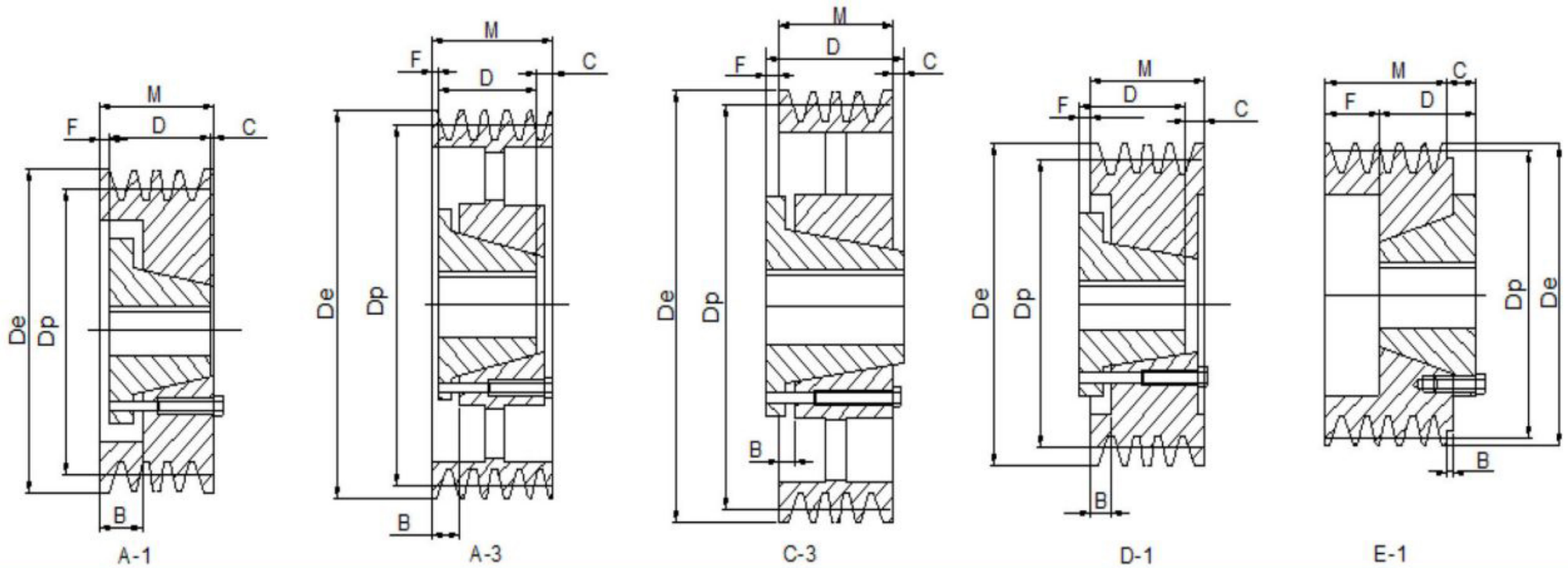
**3V-2**

**M=1 3/32" (27.78mm)**

| SIZE<br>规格   | De<br>外径 | Dp<br>节径 | Bush Max Bore<br>最大孔径 | Bush | Form<br>型号 | Dimension |       |      |         |       |
|--------------|----------|----------|-----------------------|------|------------|-----------|-------|------|---------|-------|
|              |          |          |                       |      |            | Di        | F     | B    | D       | C     |
| 2 3V 220 JA  | 2.20     | 2.15     | 1 1/4                 | JA   | E-1        | -         | 31/32 | 7/16 | 1 1/16  | 15/16 |
| 2 3V 235 JA  | 2.35     | 2.30     | 1 1/4                 | JA   | E-1        | -         | 31/32 | 7/16 | 1 1/16  | 15/16 |
| 2 3V 250 JA  | 2.50     | 2.45     | 1 1/4                 | JA   | E-1        | -         | 31/32 | 7/16 | 1 1/16  | 15/16 |
| 2 3V 265 JA  | 2.65     | 2.60     | 1 1/4                 | JA   | D-1        | -         | 3/8   | 1/8  | 1 1/16  | 13/32 |
| 2 3V 280 JA  | 2.80     | 2.75     | 1 1/4                 | JA   | D-1        | -         | 3/8   | 1/8  | 1 1/16  | 13/32 |
| 2 3V 300 JA  | 3.00     | 2.95     | 1 1/4                 | JA   | D-1        | -         | 3/8   | 1/8  | 1 1/16  | 13/32 |
| 2 3V 315 JA  | 3.15     | 3.10     | 1 1/4                 | JA   | D-1        | -         | 3/8   | 1/8  | 1 1/16  | 13/32 |
| 2 3V 335 SH  | 3.35     | 3.30     | 1 11/16               | SH   | D-1        | -         | 1/4   | 1/4  | 1 5/16  | 1/32  |
| 2 3V 365 SH  | 3.65     | 3.60     | 1 11/16               | SH   | D-1        | -         | 1/4   | 1/4  | 1 5/16  | 1/32  |
| 2 3V 412 SH  | 4.12     | 4.07     | 1 11/16               | SH   | D-1        | -         | 1/4   | 1/4  | 1 5/16  | 1/32  |
| 2 3V 450 SH  | 4.50     | 4.45     | 1 11/16               | SH   | D-1        | -         | 1/4   | 1/4  | 1 5/16  | 1/32  |
| 2 3V 475 SH  | 4.75     | 4.70     | 1 11/16               | SH   | D-1        | -         | 1/4   | 1/4  | 1 5/16  | 1/32  |
| 2 3V 500 SH  | 5.00     | 4.90     | 1 11/16               | SH   | D-1        | -         | 1/4   | 1/4  | 1 5/16  | 1/32  |
| 2 3V 530 SH  | 5.30     | 5.25     | 1 11/16               | SH   | D-1        | -         | 1/4   | 1/4  | 1 5/16  | 1/32  |
| 2 3V 560 SH  | 5.60     | 5.55     | 1 11/16               | SH   | D-1        | -         | 1/4   | 1/4  | 1 5/16  | 1/32  |
| 2 3V 600 SH  | 6.00     | 5.95     | 1 11/16               | SH   | D-1        | -         | 1/4   | 1/4  | 1 5/16  | 1/32  |
| 2 3V 650 SDS | 6.50     | 6.45     | 2                     | SDS  | D-3        | 3 1/2     | 5/16  | 5/16 | 1 3/8   | 1/32  |
| 2 3V 690 SDS | 6.90     | 6.85     | 2                     | SDS  | D-3        | 3 1/2     | 5/16  | 5/16 | 1 3/8   | 1/32  |
| 2 3V 800 SDS | 8.00     | 7.95     | 2                     | SDS  | D-3        | 3 1/2     | 5/16  | 5/16 | 1 3/8   | 1/32  |
| 2 3V 1060 SK | 10.60    | 10.55    | 2 5/8                 | SK   | C-3        | 4 3/8     | 7/16  | 1/4  | 1 15/16 | 13/32 |
| 2 3V 1400 SK | 14.00    | 13.95    | 2 5/8                 | SK   | C-3        | 4 3/8     | 7/16  | 1/4  | 1 15/16 | 13/32 |
| 2 3V 1900 SK | 19.00    | 18.95    | 2 5/8                 | SK   | C-3        | 4 3/8     | 7/16  | 1/4  | 1 15/16 | 13/32 |
| 2 3V 2500 SF | 25.00    | 24.95    | 2 15/16               | SF   | C-3        | 5         | 7/16  | 1/4  | 2 1/6   | 17/32 |



**3V QD SHEAVES**



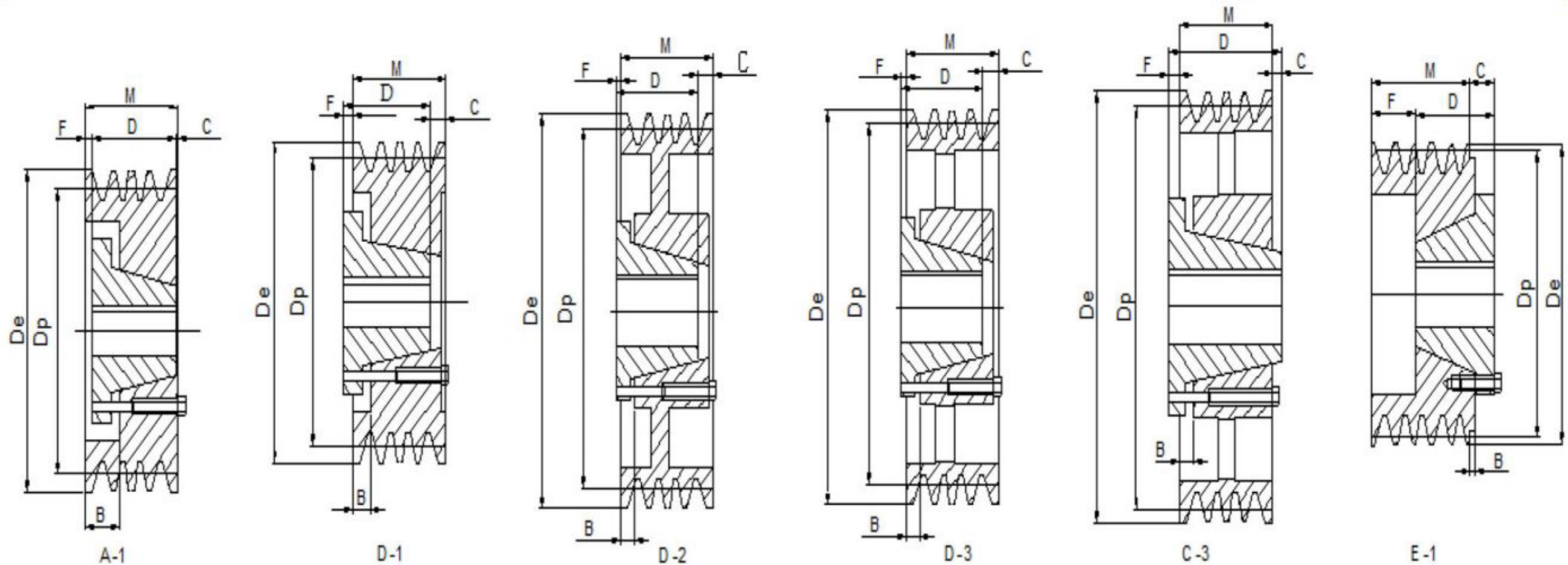
**3V-3**

**M=1 1/2" (38.1mm)**

| SIZE<br>规格   | De<br>外径 | Dp<br>节径 | Bush Max Bore<br>最大孔径 | Bush | Form<br>型号 | Dimension |        |       |         |       |
|--------------|----------|----------|-----------------------|------|------------|-----------|--------|-------|---------|-------|
|              |          |          |                       |      |            | Di        | F      | B     | D       | C     |
| 3 3V 250 JA  | 2.50     | 2.45     | 1 1/4                 | JA   | E-1        | 2 3/8     | 1 3/8  | 7/16  | 1 1/16  | 15/16 |
| 3 3V 265 JA  | 2.65     | 2.60     | 1 1/4                 | JA   | D-1        | -         | 3/8    | 1/8   | 1 1/16  | 13/16 |
| 3 3V 280 JA  | 2.80     | 2.75     | 1 1/4                 | JA   | D-1        | -         | 3/8    | 1/8   | 1 1/16  | 13/16 |
| 3 3V 300 JA  | 3.00     | 2.95     | 1 11/16               | JA   | E-1        | -         | 1 1/16 | -     | 1 15/16 | 9/16  |
| 3 3V 315 SH  | 3.15     | 3.10     | 1 11/16               | SH   | E-1        | 3         | 1 1/16 | 5/16  | 1 5/16  | 7/8   |
| 3 3V 335 SH  | 3.35     | 3.30     | 1 11/16               | SH   | D-1        | -         | 7/16   | 1/8   | 1 5/16  | 5/8   |
| 3 3V 365 SH  | 3.65     | 3.60     | 1 11/16               | SH   | D-1        | -         | 7/16   | 1/8   | 1 5/16  | 5/8   |
| 3 3V 412 SH  | 4.12     | 4.07     | 1 11/16               | SH   | A-1        | -         | 1/8    | 11/16 | 1 5/16  | 1/16  |
| 3 3V 450 SDS | 4.50     | 4.45     | 2                     | SDS  | A-1        | -         | 1/16   | 11/16 | 1 3/8   | 1/16  |
| 3 3V 475 SDS | 4.75     | 4.70     | 2                     | SDS  | A-1        | -         | 1/16   | 11/16 | 1 3/8   | 1/16  |
| 3 3V 500 SDS | 5.00     | 4.95     | 2                     | SDS  | A-1        | -         | 1/16   | 11/16 | 1 3/8   | 1/16  |
| 3 3V 530 SDS | 5.30     | 5.25     | 2                     | SDS  | A-1        | -         | 1/16   | 11/16 | 1 3/8   | 1/16  |
| 3 3V 560 SDS | 5.60     | 5.55     | 2                     | SDS  | A-1        | -         | 1/16   | 11/16 | 1 3/8   | 1/16  |
| 3 3V 600 SDS | 6.00     | 5.95     | 2                     | SDS  | A-1        | -         | 1/16   | 11/16 | 1 3/8   | 1/16  |
| 3 3V 650 SDS | 6.50     | 6.45     | 2                     | SDS  | A-3        | 3 1/2     | 1/16   | 11/16 | 1 3/8   | 1/16  |
| 3 3V 690 SDS | 6.90     | 6.85     | 2                     | SDS  | A-3        | 3 1/2     | 1/16   | 11/16 | 1 3/8   | 1/16  |
| 3 3V 800 SK  | 8.00     | 7.95     | 2 5/8                 | SK   | C-3        | 4 3/8     | 7/16   | 1/4   | 1 15/16 | -     |
| 3 3V 1060 SK | 10.60    | 10.55    | 2 5/8                 | SK   | C-3        | 4 3/8     | 7/16   | 1/4   | 1 15/16 | -     |
| 3 3V 1400 SK | 14.00    | 13.95    | 2 5/8                 | SK   | C-3        | 4 3/8     | 7/16   | 1/4   | 1 15/16 | -     |
| 3 3V 1900 SF | 19.00    | 18.95    | 2 15/16               | SF   | C-3        | 5         | 7/16   | 1/4   | 2 1/16  | 1/8   |
| 3 3V 2500 SF | 25.00    | 24.95    | 2 15/16               | SF   | C-3        | 5         | 7/16   | 1/4   | 2 1/16  | 1/8   |
| 3 3V 3350 SF | 33.50    | 33.45    | 2 15/16               | SF   | C-3        | 5         | 7/16   | 1/4   | 2 1/16  | 1/8   |



**3V QD SHEAVES**



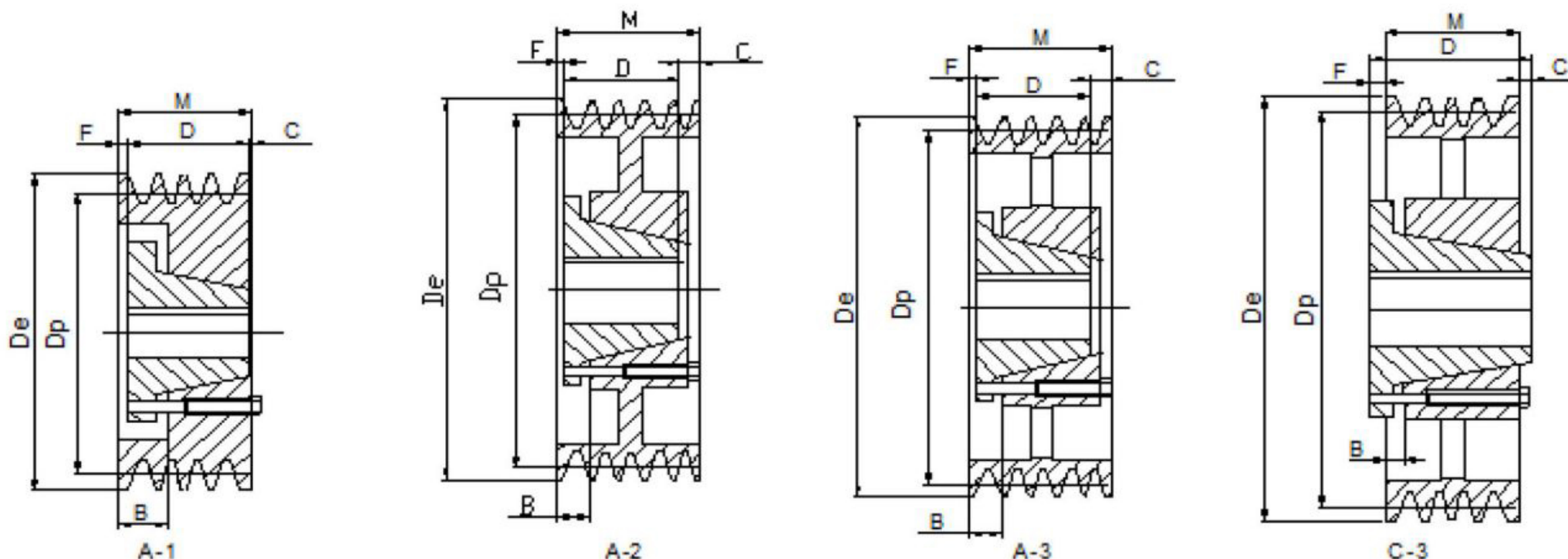
**3V-4**

**M=1 29/32" (48.42mm)**

| SIZE<br>规格   | De<br>外径 | Dp<br>节径 | Bush Max Bore<br>最大孔径 | Bush | Form<br>型号 | Dimension |         |       |         |        |
|--------------|----------|----------|-----------------------|------|------------|-----------|---------|-------|---------|--------|
|              |          |          |                       |      |            | Di        | F       | B     | D       | C      |
| 4 3V 265 JA  | 2.65     | 2.60     | 1 1/4                 | JA   | D-1        | -         | 3/8     | 1/8   | 1 1/16  | 1 7/32 |
| 4 3V 280 JA  | 2.80     | 2.75     | 1 1/4                 | JA   | D-1        | -         | 3/8     | 1/8   | 1 1/16  | 1 7/32 |
| 4 3V 300 SH  | 3.00     | 2.95     | 1 11/16               | SH   | E-1        | -         | 1 15/32 | 5/16  | 1 5/16  | 7/8    |
| 4 3V 315 SH  | 3.15     | 3.10     | 1 11/16               | SH   | E-1        | 3         | 1 15/32 | 5/16  | 1 5/16  | 7/8    |
| 4 3V 335 SH  | 3.35     | 3.30     | 1 11/16               | SH   | D-1        | -         | 7/16    | 1/8   | 1 5/16  | 1 1/32 |
| 4 3V 365 SH  | 3.65     | 3.60     | 1 11/16               | SH   | D-1        | -         | 7/16    | 1/8   | 1 5/16  | 1 1/32 |
| 4 3V 412 SH  | 4.12     | 4.07     | 1 11/16               | SH   | A-1        | -         | 1/4     | 13/16 | 1 5/16  | 11/32  |
| 4 3V 450 SDS | 4.50     | 4.45     | 2                     | SDS  | A-1        | -         | 3/16    | 13/16 | 1 3/8   | 11/32  |
| 4 3V 475 SDS | 4.75     | 4.70     | 2                     | SDS  | A-1        | -         | 3/16    | 13/16 | 1 3/8   | 11/32  |
| 4 3V 500 SDS | 5.00     | 4.95     | 2                     | SDS  | A-1        | -         | 3/16    | 13/16 | 1 3/8   | 11/32  |
| 4 3V 530 SDS | 5.30     | 5.25     | 2                     | SDS  | A-1        | -         | 3/16    | 13/16 | 1 3/8   | 11/32  |
| 4 3V 560 SDS | 5.60     | 5.55     | 2                     | SDS  | A-1        | -         | 3/16    | 13/16 | 1 3/8   | 11/32  |
| 4 3V 600 SK  | 6.00     | 5.95     | 2 5/8                 | SK   | D-1        | -         | 1/16    | 5/8   | 1 15/16 | 1/32   |
| 4 3V 650 SK  | 6.50     | 6.45     | 2 5/8                 | SK   | D-2        | -         | 1/16    | 5/8   | 1 15/16 | 1/32   |
| 4 3V 690 SK  | 6.90     | 6.85     | 2 5/8                 | SK   | D-2        | -         | 1/16    | 5/8   | 1 15/16 | 1/32   |
| 4 3V 800 SK  | 8.00     | 7.95     | 2 5/8                 | SK   | D-2        | 4 3/8     | 1/16    | 5/8   | 1 15/16 | 1/32   |
| 4 3V 1060 SK | 10.60    | 10.55    | 2 5/8                 | SK   | D-3        | 4 3/8     | 1/16    | 5/8   | 1 15/16 | 1/32   |
| 4 3V 1400 SK | 14.00    | 13.95    | 2 5/8                 | SK   | D-3        | 4 3/8     | 1/16    | 5/8   | 1 15/16 | 1/32   |
| 4 3V 1900 SF | 19.00    | 18.95    | 2 15/16               | SF   | C-3        | 5         | 1/16    | 5/8   | 2 1/16  | 3/32   |
| 4 3V 2500 SF | 25.00    | 24.95    | 2 15/16               | SF   | C-3        | 5         | 1/16    | 5/8   | 2 1/16  | 3/32   |
| 4 3V 3350 E  | 33.50    | 33.45    | 3 1/2                 | E    | C-3        | 6 1/4     | 3/8     | 1/2   | 2 5/8   | 11/32  |



## 3V QD SHEAVES



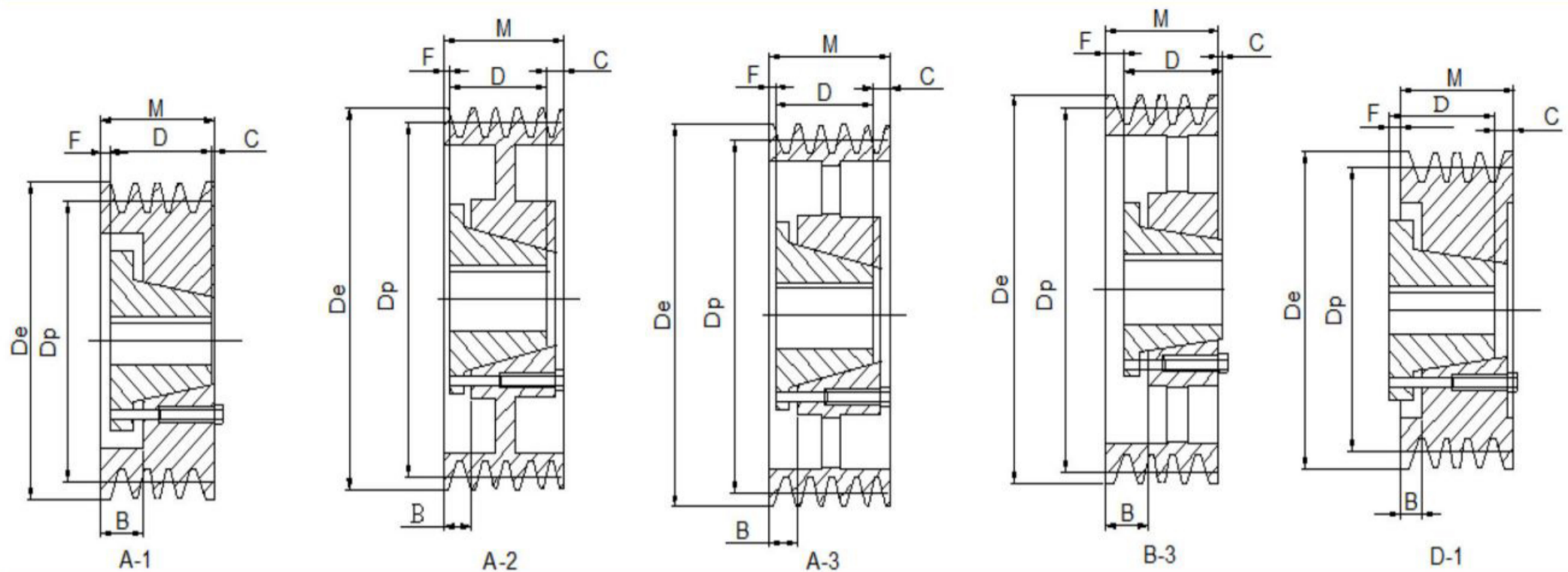
## 3V-5

**M=2 5/16" (58.74mm)**

| SIZE<br>规格   | De<br>外径 | Dp<br>节径 | Bush Max Bore<br>最大孔径 | Bush | Form<br>型号 | Dimension |      |       |         |      |
|--------------|----------|----------|-----------------------|------|------------|-----------|------|-------|---------|------|
|              |          |          |                       |      |            | Di        | F    | B     | D       | C    |
| 5 3V 475 SDS | 4.75     | 4.70     | 2                     | SDS  | A-2        | 3 1/2     | 3/16 | 13/16 | 1 3/8   | 3/4  |
| 5 3V 500 SDS | 5.00     | 4.95     | 2                     | SDS  | A-2        | 3 1/2     | 3/16 | 13/16 | 1 3/8   | 3/4  |
| 5 3V 530 SK  | 5.30     | 5.25     | 2 5/8                 | SK   | A-1        | -         | 1/4  | 15/16 | 1 15/16 | 1/8  |
| 5 3V 560 SK  | 5.60     | 5.55     | 2 5/8                 | SK   | A-1        | -         | 1/4  | 15/16 | 1 15/16 | 1/8  |
| 5 3V 600 SK  | 6.00     | 5.95     | 2 5/8                 | SK   | A-1        | -         | 1/4  | 15/16 | 1 15/16 | 1/8  |
| 5 3V 650 SK  | 6.50     | 6.45     | 2 5/8                 | SK   | A-1        | -         | 1/4  | 15/16 | 1 15/16 | 1/8  |
| 5 3V 690 SK  | 6.90     | 6.85     | 2 5/8                 | SK   | A-1        | -         | 1/4  | 15/16 | 1 15/16 | 1/8  |
| 5 3V 800 SK  | 8.00     | 7.95     | 2 5/8                 | SK   | A-2        | 4 3/8     | 1/4  | 15/16 | 1 15/16 | 1/8  |
| 5 3V 1060 SK | 10.60    | 10.55    | 2 5/8                 | SK   | A-3        | 4 3/8     | 1/4  | 15/16 | 1 15/16 | 1/8  |
| 5 3V 1400 SF | 14.00    | 13.95    | 2 15/16               | SF   | A-3        | 5         | 3/16 | 7/8   | 2 1/16  | 1/16 |
| 5 3V 1900 SF | 19.00    | 18.95    | 2 15/16               | SF   | A-3        | 5         | 3/16 | 7/8   | 2 1/16  | 1/16 |
| 5 3V 2500 E  | 25.00    | 24.95    | 3 1/2                 | E    | C-3        | 6 1/4     | 1/4  | 5/8   | 2 5/8   | 1/16 |
| 5 3V 3350 E  | 33.50    | 33.45    | 3 1/2                 | E    | C-3        | 6 1/4     | 1/4  | 5/8   | 2 5/8   | 1/16 |



**3V QD SHEAVES**



**3V-6**

**M=2 23/32" (69.06mm)**

| SIZE<br>规格  | De<br>外径 | Dp<br>节径 | Bush Max Bore<br>最大孔径 | Bush | Form<br>型号 | Dimension |      |        |         |         |
|-------------|----------|----------|-----------------------|------|------------|-----------|------|--------|---------|---------|
|             |          |          |                       |      |            | Di        | F    | B      | D       | C       |
| 6 3V 475 SK | 4.75     | 4.70     | 2                     | SK   | D-1        | -         | 9/16 | 1/8    | 1 15/16 | 1 11/32 |
| 6 3V 500 SK | 5.00     | 4.95     | 2                     | SK   | D-1        | -         | 9/16 | 1/8    | 1 15/16 | 1 11/32 |
| 6 3V 530 SK | 5.30     | 5.25     | 2 5/8                 | SK   | A-1        | -         | 5/8  | 1 5/16 | 1 15/16 | 5/32    |
| 6 3V 560 SK | 5.60     | 5.55     | 2 5/8                 | SK   | A-1        | -         | 5/8  | 1 5/16 | 1 15/16 | 5/32    |
| 6 3V600 SK  | 6.00     | 5.95     | 2 5/8                 | SK   | A-1        | -         | 5/8  | 1 5/16 | 1 15/16 | 5/32    |
| 6 3V650 SK  | 6.50     | 6.45     | 2 5/8                 | SK   | A-2        | 4 3/8     | 5/8  | 1 5/16 | 1 15/16 | 5/32    |
| 6 3V690 SK  | 6.90     | 6.85     | 2 5/8                 | SK   | A-2        | 4 3/8     | 5/8  | 1 5/16 | 1 15/16 | 5/32    |
| 6 3V800 SK  | 8.00     | 7.95     | 2 5/8                 | SK   | A-2        | 4 3/8     | 3/16 | 7/8    | 1 15/16 | 19/32   |
| 6 3V1060 SF | 10.60    | 10.55    | 2 5/8                 | SF   | A-2        | 5         | 3/16 | 7/8    | 2 1/16  | 15/32   |
| 6 3V1400 SF | 14.00    | 13.95    | 2 15/16               | SF   | A-3        | 5         | 3/16 | 7/8    | 2 1/16  | 15/32   |
| 6 3V1900 E  | 19.00    | 18.95    | 2 15/16               | E    | B-3        | 6 1/4     | 1/8  | 1      | 2 5/8   | 1/32    |
| 6 3V2500 E  | 25.00    | 24.95    | 3 1/2                 | E    | B-3        | 6 1/4     | 1/8  | 1      | 2 5/8   | 1/32    |
| 6 3V3350 E  | 33.50    | 33.45    | 3 1/2                 | E    | B-3        | 6 1/4     | 1/8  | 1      | 2 5/8   | 1/32    |

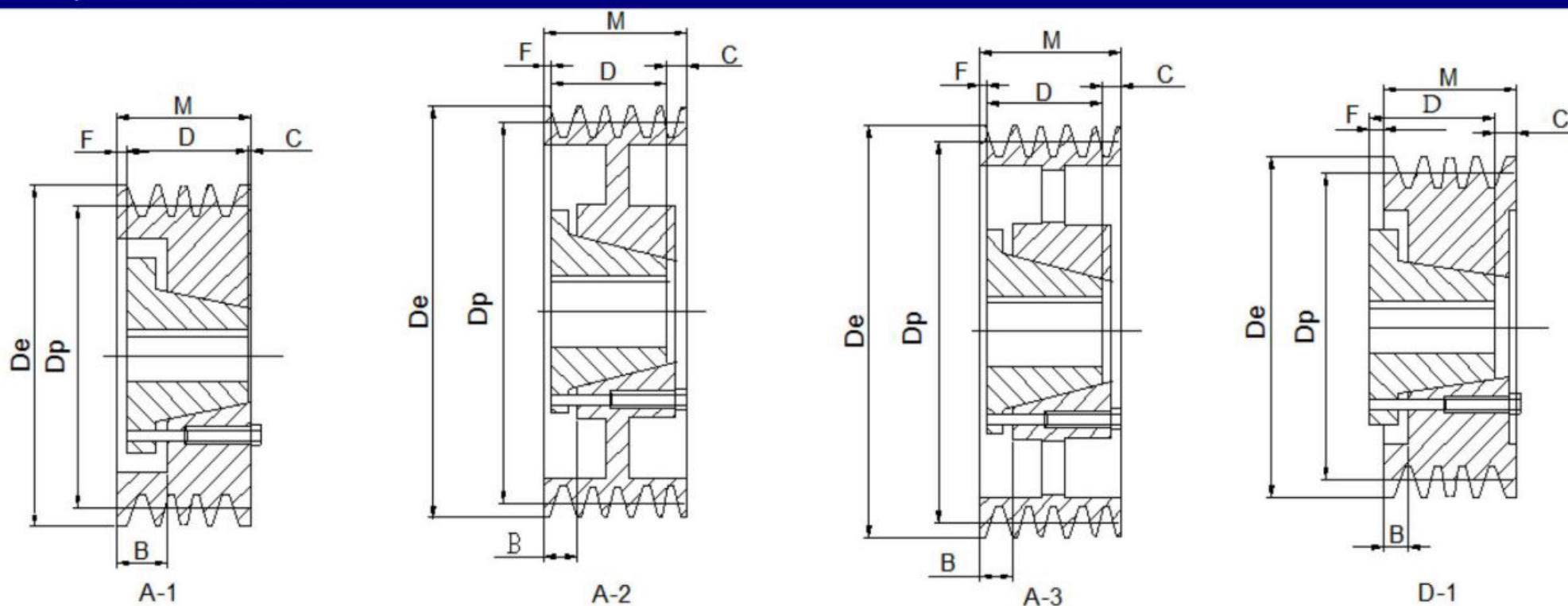
**3V-8**

**M=3 17/32" (89.70mm)**

| SIZE<br>规格   | De<br>外径 | Dp<br>节径 | Bush Max Bore<br>最大孔径 | Bush | Form<br>型号 | Dimension |      |        |         |        |
|--------------|----------|----------|-----------------------|------|------------|-----------|------|--------|---------|--------|
|              |          |          |                       |      |            | Di        | F    | B      | D       | C      |
| 8 3V 475 SK  | 4.75     | 4.70     | 2 5/8                 | SK   | D-1        | -         | 9/16 | 1/8    | 1 15/16 | 2 5/32 |
| 8 3V 500 SK  | 5.00     | 4.95     | 2 5/8                 | SK   | D-1        | -         | 9/16 | 1/8    | 1 15/16 | 2 5/32 |
| 8 3V 530 SK  | 5.30     | 5.25     | 2 5/8                 | SK   | A-1        | -         | 5/8  | 1 5/16 | 1 15/16 | 31/32  |
| 8 3V 560 SK  | 5.60     | 5.55     | 2 5/8                 | SK   | A-1        | -         | 5/8  | 1 5/16 | 1 15/16 | 31/32  |
| 8 3V 600 SK  | 6.00     | 5.95     | 2 5/8                 | SK   | A-1        | -         | 5/8  | 1 5/16 | 1 15/16 | 31/32  |
| 8 3V 650 SK  | 6.50     | 6.45     | 2 5/8                 | SK   | A-2        | 4 3/8     | 5/8  | 1 5/16 | 1 15/16 | 31/32  |
| 8 3V 690 SK  | 6.90     | 6.85     | 2 5/8                 | SK   | A-2        | 4 3/8     | 5/8  | 1 5/16 | 1 15/16 | 31/32  |
| 8 3V 800 SF  | 8.00     | 7.95     | 2 15/16               | SF   | A-1        | -         | 7/16 | 1 1/8  | 2 1/16  | 1 1/32 |
| 8 3V 1060 SF | 10.60    | 10.55    | 2 15/16               | SF   | A-2        | 5         | 7/16 | 1 1/8  | 2 1/16  | 1 1/32 |
| 8 3V 1400 E  | 14.00    | 13.95    | 3 1/2                 | E    | A-3        | 6 1/4     | 3/8  | 1 1/4  | 2 5/8   | 1 7/32 |
| 8 3V 1900 E  | 19.00    | 18.95    | 3 1/2                 | E    | A-3        | 6 1/4     | 3/8  | 1 1/4  | 2 5/8   | 1 7/32 |
| 8 3V 2500 E  | 25.00    | 24.95    | 3 1/2                 | E    | A-3        | 6 1/4     | 3/8  | 1 1/4  | 2 5/8   | 1 7/32 |
| 8 3V 3350 F  | 33.50    | 33.45    | 3 15/16               | F    | B-3        | 7         | 1/16 | 1 1/16 | 3 5/8   | 5/32   |



## 3V QD SHEAVES



## 3V-10

**M=4 11/32" (110.33mm)**

| SIZE<br>规格   | De<br>外径 | Dp<br>节径 | Bush Max Bore<br>最大孔径 | Bush | Form<br>型号 | Dimension |       |        |         |         |
|--------------|----------|----------|-----------------------|------|------------|-----------|-------|--------|---------|---------|
|              |          |          |                       |      |            | Di        | F     | B      | D       | C       |
| 10 3V 475 SK | 4.75     | 4.70     | 2 5/8                 | SK   | D-1        | -         | 9/16  | 1/8    | 1 15/16 | 2 31/32 |
| 10 3V 500 SK | 5.00     | 4.95     | 2 5/8                 | SK   | D-1        | -         | 9/16  | 1/8    | 1 15/16 | 2 31/32 |
| 10 3V 530 SK | 5.30     | 5.25     | 2 5/8                 | SK   | A-1        | -         | 3/4   | 1 7/16 | 1 15/16 | 1 21/32 |
| 10 3V 560 SK | 5.60     | 5.55     | 2 5/8                 | SK   | A-1        | -         | 3/4   | 1 7/16 | 1 15/16 | 1 21/32 |
| 10 3V 600 SK | 6.00     | 5.95     | 2 5/8                 | SK   | A-1        | -         | 3/4   | 1 7/16 | 1 15/16 | 1 21/32 |
| 10 3V 650 SK | 6.50     | 6.45     | 2 5/8                 | SK   | A-2        | 4 3/8     | 3/4   | 1 7/16 | 1 15/16 | 1 21/32 |
| 10 3V 690 SK | 6.90     | 6.85     | 2 5/8                 | SK   | A-2        | 4 3/8     | 3/4   | 1 7/16 | 1 15/16 | 1 21/32 |
| 10 3V 800 SF | 8.00     | 7.95     | 2 15/16               | SF   | A-1        | -         | 13/16 | 1 1/2  | 2 1/16  | 1 15/32 |
| 10 3V 1060 E | 10.60    | 10.55    | 3 1/2                 | E    | A-2        | 6 1/4     | 3/8   | 1 1/4  | 2 5/8   | 1 11/32 |
| 10 3V 1400 E | 14.00    | 13.95    | 3 1/2                 | E    | A-3        | 6 1/4     | 3/8   | 1 1/4  | 2 5/8   | 1 11/32 |
| 10 3V 1900 E | 19.00    | 18.95    | 3 1/2                 | E    | A-3        | 6 1/4     | 3/8   | 1 1/4  | 2 5/8   | 1 11/32 |
| 10 3V 2500 F | 25.00    | 24.95    | 3 15/16               | F    | A-3        | 7         | 5/16  | 1 5/16 | 3 5/8   | 13/32   |
| 10 3V 3350 F | 33.50    | 33.45    | 3 15/16               | F    | A-3        | 7         | 5/16  | 1 5/16 | 3 5/8   | 13/32   |