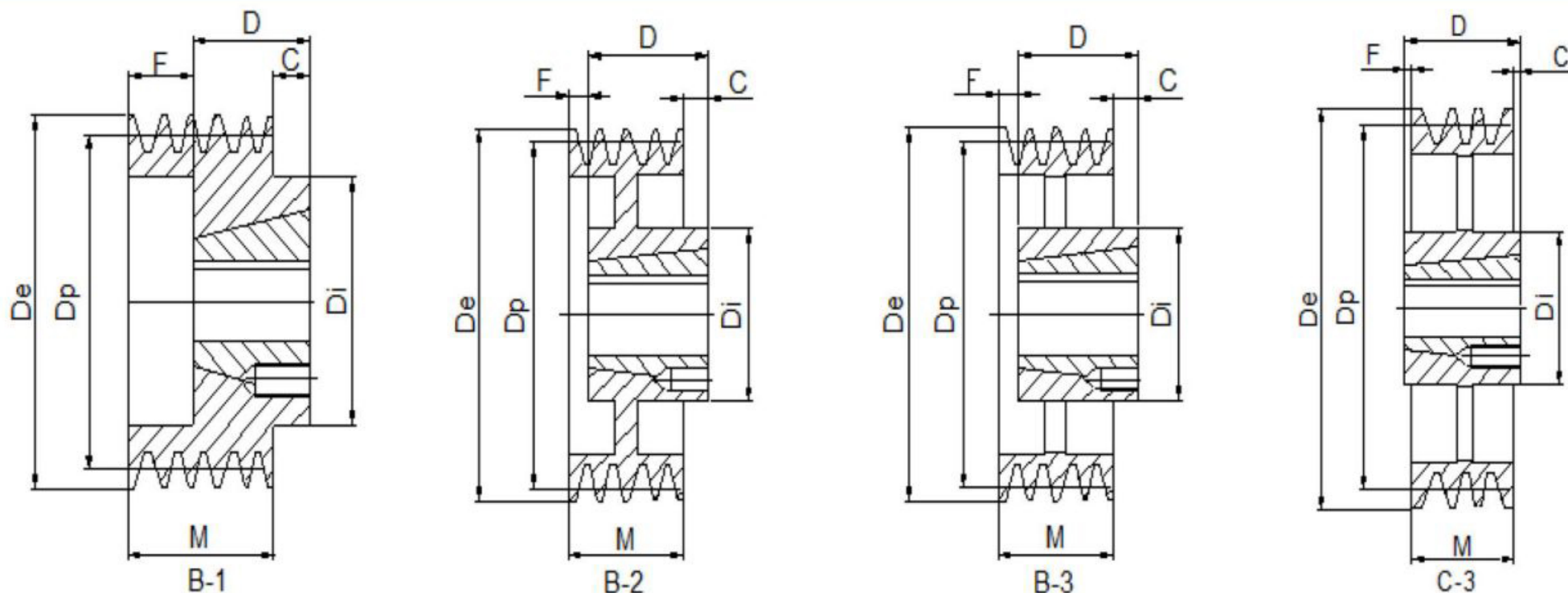




**5V TB SHEAVES**



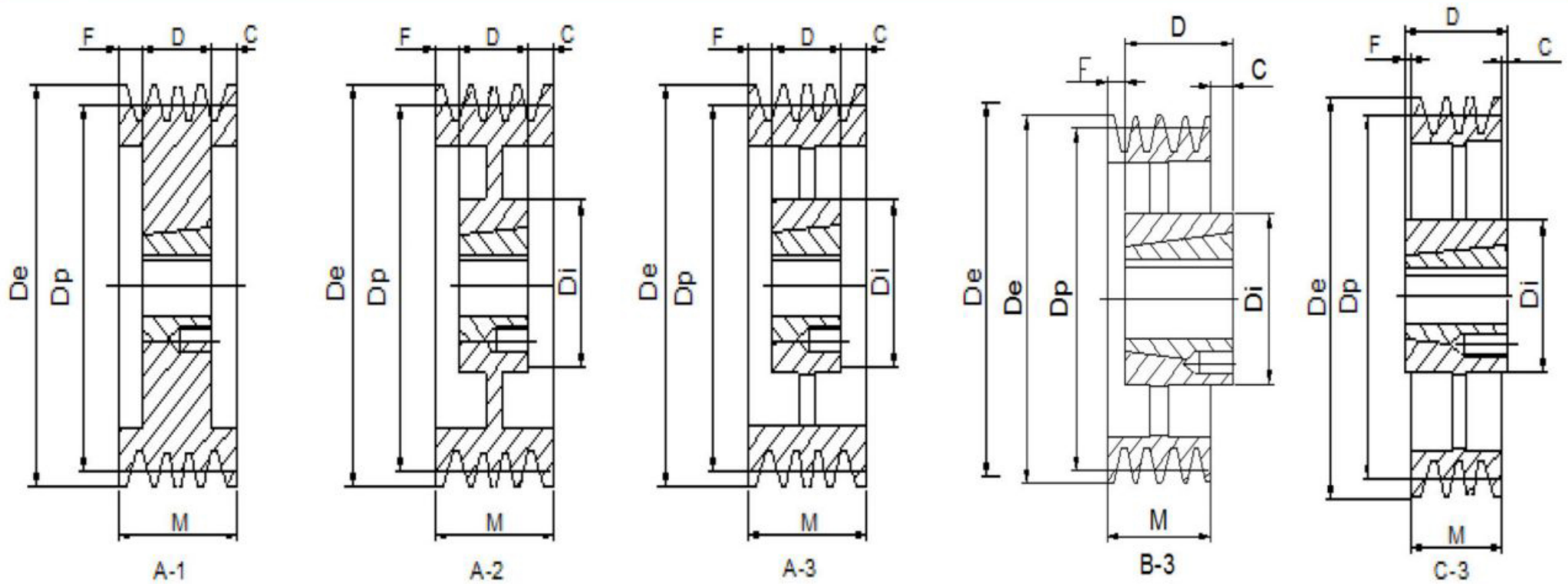
**5V-2**

**M=1 11/16" (42.86mm)**

SIZE 规格	De 外径	Dp 节径	Bush Max Bore 最大孔径	Bush	Form 型号	Dimension			
						Di	F	D	C
2 5V710 TB	7.10	7.00	2 1/2	2517	B-1	-	-	1 3/4	1/16
2 5V750 TB	7.50	7.40	2 1/2	2517	B-1	-	-	1 3/4	1/16
2 5V800 TB	8.00	7.90	2 1/2	2517	B-1	-	-	1 3/4	1/16
2 5V850 TB	8.50	8.40	2 1/2	2517	B-2	4 3/4	-	1 3/4	1/16
2 5V900 TB	9.00	8.90	2 1/2	2517	B-2	4 3/4	-	1 3/4	1/16
2 5V925 TB	9.25	9.15	3	3020	B-1	-	-	2	5/16
2 5V975 TB	9.75	9.65	3	3020	B-1	-	-	2	5/16
2 5V1030 TB	10.30	10.20	3	3020	B-2	5 11/16	-	2	5/16
2 5V1090 TB	10.90	10.80	3	3020	B-2	5 11/16	-	2	5/16
2 5V1180 TB	11.80	11.70	3	3020	B-2	5 11/16	-	2	5/16
2 5V1250 TB	12.50	12.40	3	3020	B-2	5 11/16	-	2	5/16
2 5V1320 TB	13.20	13.10	3	3020	B-3	5 11/16	-	2	5/16
2 5V1400 TB	14.00	13.90	3	3020	B-3	5 11/16	-	2	5/16
2 5V1500 TB	15.00	14.90	3	3020	B-3	5 11/16	-	2	5/16
2 5V1600 TB	16.00	15.90	3	3020	B-3	5 11/16	-	2	5/16
2 5V2120 TB	21.20	21.10	3 1/2	3535	C-3	6 1/2	3/8	3 1/2	1 7/16
2 5V2800 TB	28.00	27.90	3 1/2	3535	C-3	6 1/2	3/8	3 1/2	1 7/16



**5V TB SHEAVES**



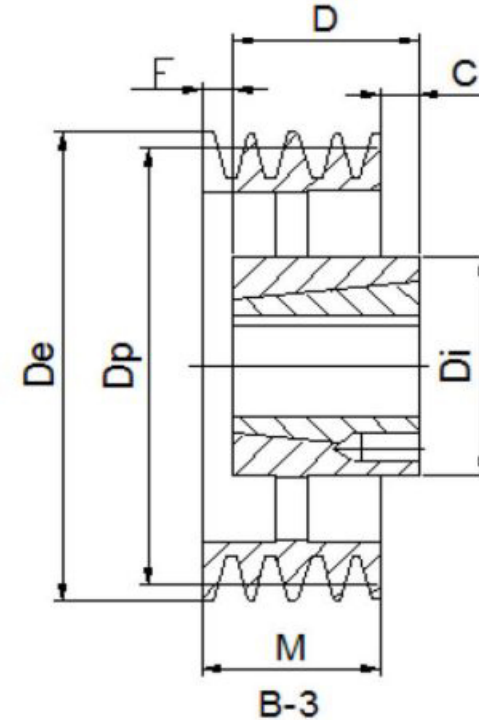
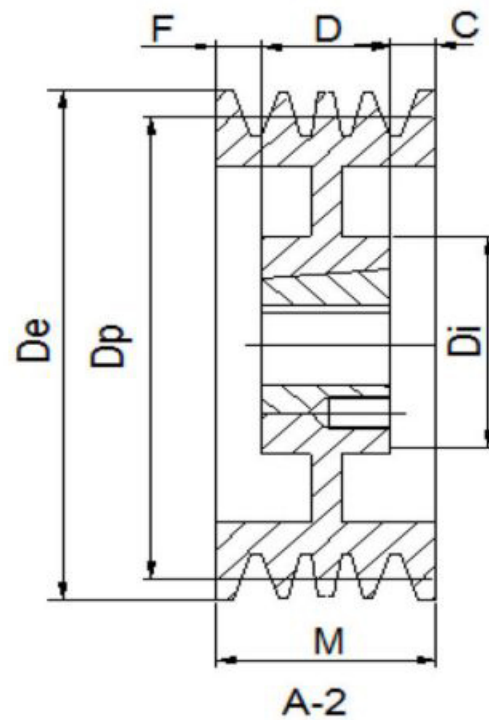
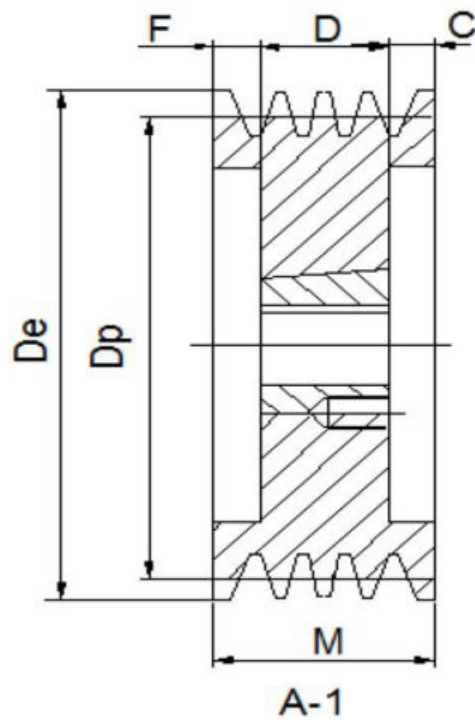
**5V-3**

**M=2 3/8" (60.33mm)**

SIZE 规格	De 外径	Dp 节径	Bush Max Bore 最大孔径	Bush	Form 型号	Dimension			
						Di	F	D	C
3 5V710 TB	7.10	7.00	2 1/2	2517	A-1	-	5/8	1 3/4	-
3 5V750 TB	7.50	7.40	2 1/2	2517	A-1	-	5/8	1 3/4	-
3 5V800 TB	8.00	7.90	2 1/2	2517	A-1	-	5/8	1 3/4	-
3 5V850 TB	8.50	8.40	2 1/2	2517	A-2	4 3/4	5/8	1 3/4	-
3 5V900 TB	9.00	8.90	2 1/2	2517	A-2	4 3/4	5/8	1 3/4	-
3 5V925 TB	9.25	9.15	3	3020	A-1	-	-	2	3/8
3 5V975 TB	9.75	9.65	3	3020	A-1	-	-	2	3/8
3 5V1030 TB	10.30	10.20	3	3020	A-2	5 11/16	-	2	3/8
3 5V1090 TB	10.90	10.80	3	3020	A-2	5 11/16	-	2	3/8
3 5V1180 TB	11.80	11.70	3	3020	A-2	5 11/16	-	2	3/8
3 5V1250 TB	12.50	12.40	3	3020	A-2	5 11/16	-	2	3/8
3 5V1320 TB	13.20	13.10	3	3020	A-2	5 11/16	-	2	3/8
3 5V1400 TB	14.00	13.90	3	3020	A-3	5 11/16	-	2	3/8
3 5V1500 TB	15.00	14.90	3	3020	A-3	5 11/16	-	2	3/8
3 5V1600 TB	16.00	15.90	3	3020	A-3	5 11/16	-	2	3/8
3 5V2120 TB	21.20	21.10	3 15/16	3535	B-3	6 1/2	-	3 1/2	1 1/8
3 5V2800 TB	28.00	27.90	3 15/16	3535	B-3	6 1/2	-	3 1/2	1 1/8
3 5V3750 TB	37.50	37.40	4 7/16	4040	C-3	7 3/16	1/2	4	1 1/8
3 5V5000 TB	50.00	49.90	4 7/16	4040	C-3	7 3/16	1/2	4	1 1/8



**5V TB SHEAVES**



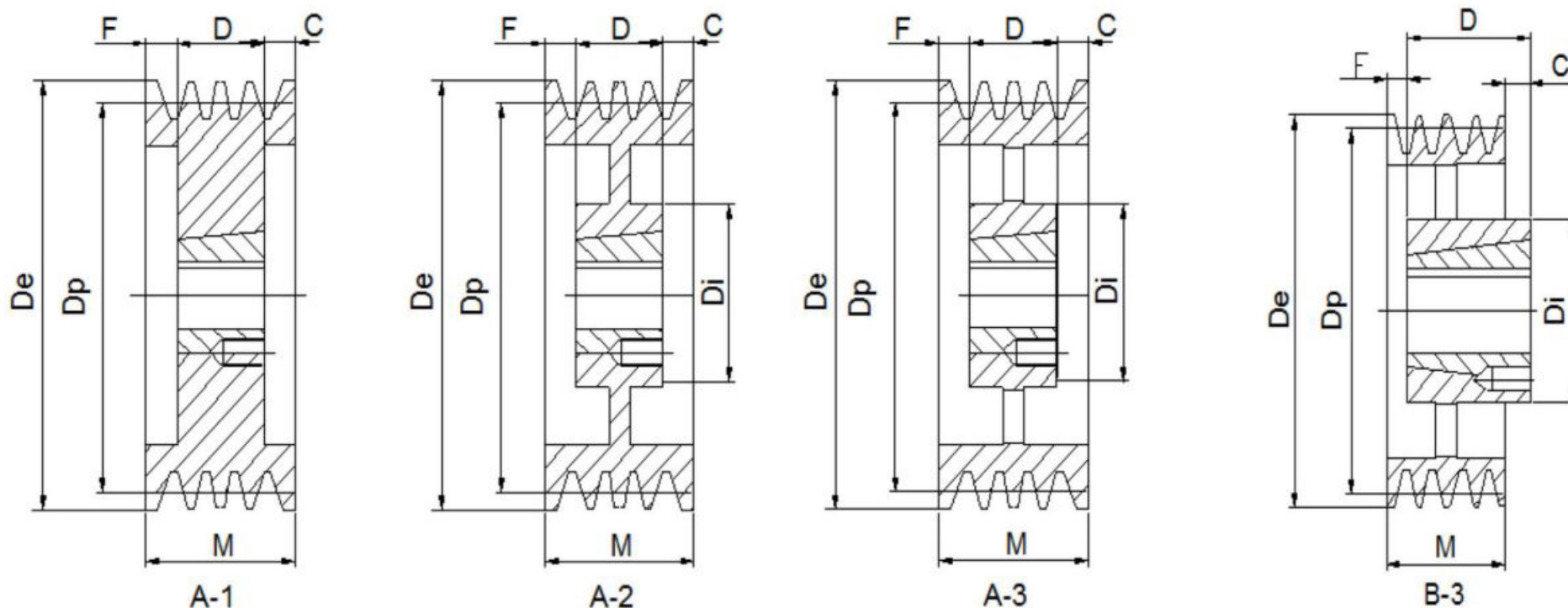
**5V-4**

**M=3 1/16" (77.79mm)**

SIZE 规格	De 外径	Dp 节径	Bush Max Bore 最大孔径	Bush	Form 型号	Dimension			
						Di	F	D	C
4 5V710 TB	7.1	7	2 1/2	2517	A-1	-	1 5/16	1 3/4	-
4 5V750 TB	7.5	7.4	2 1/2	2517	A-1	-	1 5/16	1 3/4	-
4 5V800 TB	8	7.9	2 1/2	2517	A-1	-	1 5/16	1 3/4	-
4 5V850 TB	8.5	8.4	2 1/2	2517	A-2	4 3/4	1 5/16	1 3/4	-
4 5V900 TB	9	8.9	2 1/2	2517	A-2	4 3/4	1 5/16	1 3/4	-
4 5V925 TB	9.25	9.15	3	3020	A-1	-	1/2	2	9/16
4 5V975 TB	9.75	9.65	3	3020	A-1	-	1/2	2	9/16
4 5V1030 TB	10.3	10.2	3	3020	A-2	5 11/16	1/2	2	9/16
4 5V1090 TB	10.9	10.8	3	3020	A-2	5 11/16	1/2	2	9/16
4 5V1180 TB	11.8	11.7	3	3020	A-2	5 11/16	1/2	2	9/16
4 5V1250 TB	12.5	12.4	3	3020	A-2	5 11/16	-	2	1 1/16
4 5V1320 TB	13.2	13.1	3	3020	A-2	5 11/16	-	2	1 1/16
4 5V1400 TB	14	13.9	3 15/16	3535	B-3	6 1/2	-	3 1/2	7/16
4 5V1500 TB	15	14.9	3 15/16	3535	B-3	6 1/2	-	3 1/2	7/16
4 5V1600 TB	16	15.9	3 15/16	3535	B-3	6 1/2	-	3 1/2	7/16
4 5V2120 TB	21.2	21.1	3 15/16	3535	B-3	6 1/2	-	3 1/2	7/16
4 5V2800 TB	28	27.9	3 15/16	3535	B-3	6 1/2	-	3 1/2	7/16
4 5V3750 TB	37.5	37.4	4 7/16	4040	B-3	7 3/16	-	4	15/16
4 5V5000 TB	50	49.9	4 7/16	4040	B-3	7 3/16	-	4	15/16



**5V TB SHEAVES**



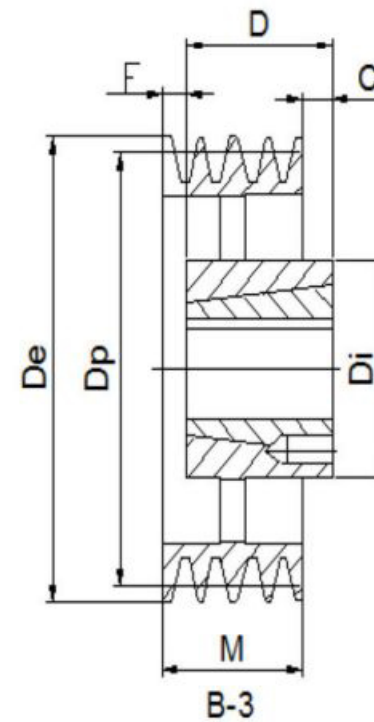
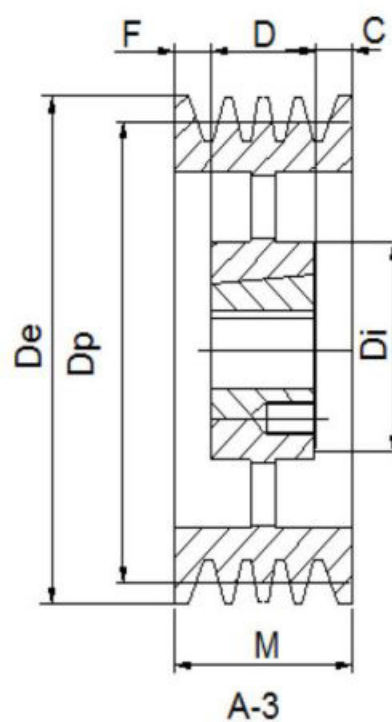
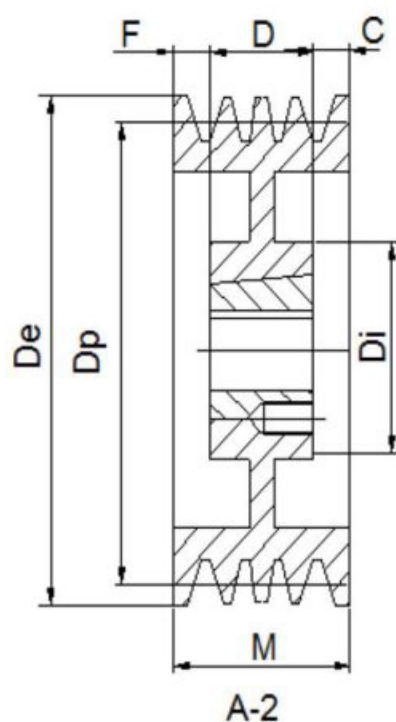
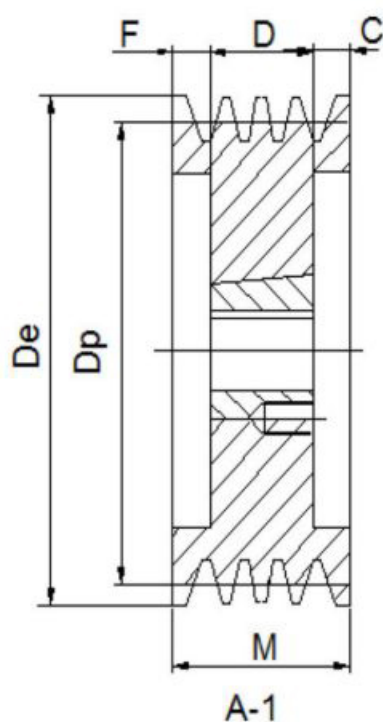
**5V-5**

**M=3 3/4" (95.25mm)**

SIZE 规格	De 外径	Dp 节径	Bush Max Bore 最大孔径	Bush	Form 型号	Dimension			
						Di	F	D	C
5 5V710 TB	7.10	7.00	3	3020	A-1	-	1/2	2	1 1/4
5 5V750 TB	7.50	7.40	3	3020	A-1	-	1/2	2	1 1/4
5 5V800 TB	8.00	7.90	3	3020	A-1	-	1/2	2	1 1/4
5 5V850 TB	8.50	8.40	3	3020	A-1	-	1/2	2	1 1/4
5 5V900 TB	9.00	8.90	3	3020	A-1	-	1/2	2	1 1/4
5 5V925 TB	9.25	9.15	3	3020	A-1	-	1/2	2	1 1/4
5 5V975 TB	9.75	9.65	3	3020	A-1	-	1/2	2	1 1/4
5 5V1030 TB	10.30	10.20	3	3020	A-2	5 3/4	1/2	2	1 1/4
5 5V1090 TB	10.90	10.80	3	3020	A-2	5 3/4	1/2	2	1 1/4
5 5V1180 TB	11.80	11.70	3	3020	A-2	5 3/4	1/2	2	1 1/4
5 5V1250 TB	12.50	12.40	3 1/2	3535	A-2	6 1/2	-	3 1/2	1/4
5 5V1320 TB	13.20	13.10	3 1/2	3535	A-2	6 1/2	-	3 1/2	1/4
5 5V1400 TB	14.00	13.90	3 1/2	3535	A-3	6 1/2	-	3 1/2	1/4
5 5V1500 TB	15.00	14.90	3 1/2	3535	A-3	6 1/2	-	3 1/2	1/4
5 5V1600 TB	16.00	15.90	3 1/2	3535	A-3	6 1/2	-	3 1/2	1/4
5 5V2120 TB	21.20	21.10	4 7/16	4040	B-3	7 3/16	-	4	1/4
5 5V2800 TB	28.00	27.90	4 7/16	4040	B-3	7 3/16	-	4	1/4
5 5V3750 TB	37.50	37.40	4 7/16	4040	B-3	7 3/16	-	4	1/4
5 5V5000 TB	50.00	49.90	4 1/2	4545	B-3	8 7/16	-	4 1/2	3/4



## 5V TB SHEAVES



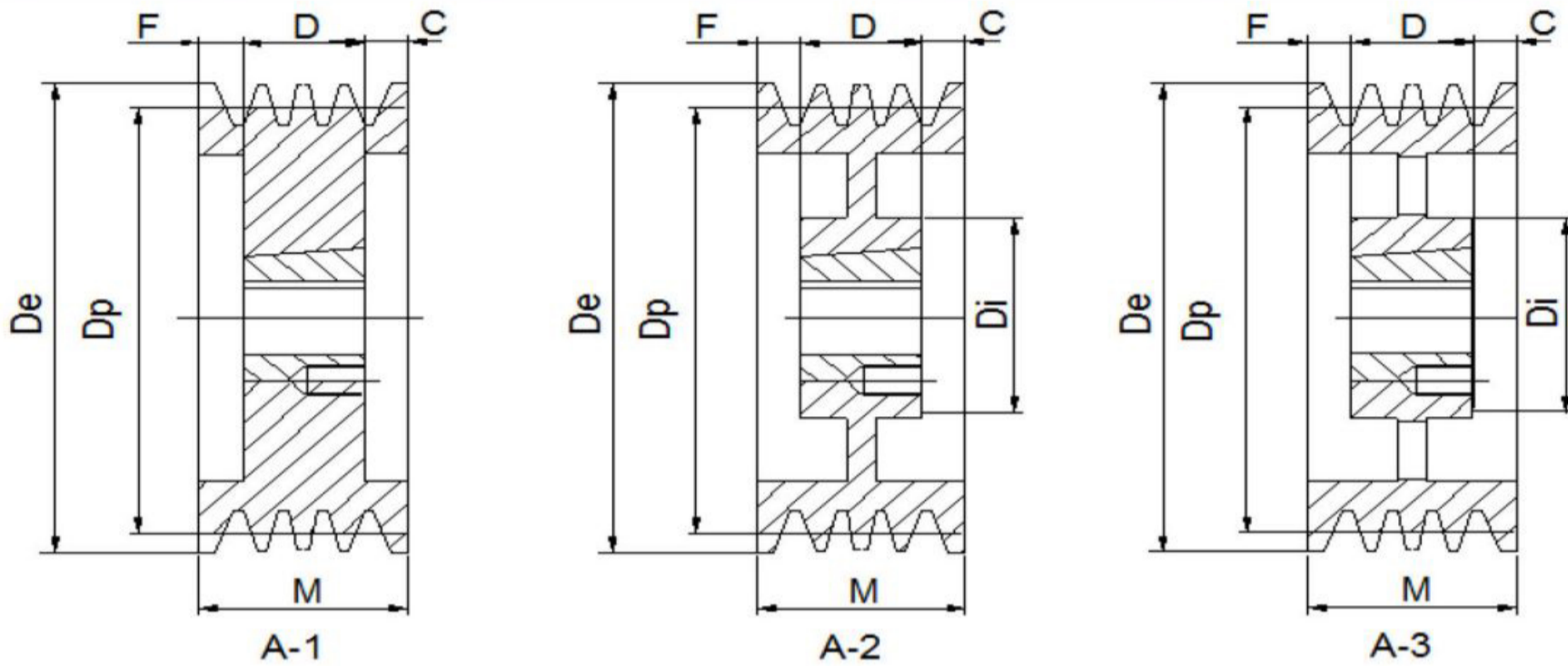
## 5V-6

**M=4 7/16" (112.71mm)**

SIZE 规格	De 外径	Dp 节径	Bush Max Bore 最大孔径	Bush	Form 型号	Dimension			
						Di	F	D	C
6 5V710 TB	7.10	7.00	3	3020	A-1	-	3/4	2	1 11/16
6 5V750 TB	7.50	7.40	3	3020	A-1	-	3/4	2	1 11/16
6 5V800 TB	8.00	7.90	3	3020	A-1	-	3/4	2	1 11/16
6 5V850 TB	8.50	8.40	3	3020	A-1	-	3/4	2	1 11/16
6 5V900 TB	9.00	8.90	3	3020	A-1	-	3/4	2	1 11/16
6 5V925 TB	9.25	9.15	3 1/2	3535	A-1	-	-	3 1/2	15/16
6 5V975 TB	9.75	9.65	3 1/2	3535	A-1	-	-	3 1/2	15/16
6 5V1030 TB	10.30	10.20	3 1/2	3535	A-1	-	-	3 1/2	15/16
6 5V1090 TB	10.90	10.80	3 1/2	3535	A-1	-	-	3 1/2	15/16
6 5V1180 TB	11.80	11.70	3 1/2	3535	A-2	6 1/2	-	3 1/2	15/16
6 5V1250 TB	12.50	12.40	3 1/2	3535	A-2	6 1/2	-	3 1/2	15/16
6 5V1320 TB	13.20	13.10	3 1/2	3535	A-2	6 1/2	-	3 1/2	15/16
6 5V1400 TB	14.00	13.90	3 1/2	3535	A-2	6 1/2	-	3 1/2	15/16
6 5V1500 TB	15.00	14.90	4	4040	A-2	7 3/16	-	4	7/16
6 5V1600 TB	16.00	15.90	4	4040	A-3	7 3/16	-	4	7/16
6 5V2120 TB	21.20	21.10	4	4040	A-3	7 3/16	-	4	7/16
6 5V2800 TB	28.00	27.90	4	4040	A-3	7 3/16	-	4	7/16
6 5V3750 TB	37.50	37.40	4 1/2	4545	B-3	8 7/16	-	4 1/2	1/16
6 5V5000 TB	50.00	49.90	4 1/2	4545	B-3	8 7/16	-	4 1/2	1/16



**5V TB SHEAVES**



**5V-8**

**M=5 13/16" (147.64mm)**

SIZE 规格	De 外径	Dp 节径	Bush Max Bore 最大孔径	Bush	Form 型号	Dimension			
						Di	F	D	C
8 5V710 TB	7.10	7.00	3	3030	A-1	-	1	3	1 13/16
8 5V750 TB	7.50	7.40	3	3030	A-1	-	1	3	1 13/16
8 5V800 TB	8.00	7.90	3	3030	A-1	-	1	3	1 13/16
8 5V850 TB	8.50	8.40	3	3030	A-1	-	1	3	1 13/16
8 5V900 TB	9.00	8.90	3 1/2	3535	A-1	-	1	3 1/2	1 5/16
8 5V925 TB	9.25	9.15	3 1/2	3535	A-1	-	1	3 1/2	1 5/16
8 5V975 TB	9.75	9.65	3 1/2	3535	A-1	-	1	3 1/2	1 5/16
8 5V1030 TB	10.30	10.20	3 1/2	3535	A-1	-	1	3 1/2	1 5/16
8 5V1090 TB	10.90	10.80	3 1/2	3535	A-1	-	1	3 1/2	1 5/16
8 5V1180 TB	11.80	11.70	3 1/2	3535	A-1	-	1	3 1/2	1 5/16
8 5V1250 TB	12.50	12.40	4	4040	A-1	-	1/4	-	1 9/16
8 5V1320 TB	13.20	13.10	4	4040	A-1	-	1/4	-	1 9/16
8 5V1400 TB	14.00	13.90	4	4040	A-2	7 3/16	1/4	-	1 9/16
8 5V1500 TB	15.00	14.90	4	4040	A-2	7 3/16	1/4	4	1 9/16
8 5V1600 TB	16.00	15.90	4	4040	A-3	7 3/16	1/4	4	1 9/16
8 5V2120 TB	21.20	21.10	4	4040	A-3	7 3/16	1/4	4	1 9/16
8 5V2800 TB	28.00	27.90	4 1/2	4545	A-3	8 7/16	1/4	4 1/2	1 1/16
8 5V3750 TB	37.50	37.40	4 1/2	4545	A-3	8 7/16	1/4	4 1/2	1 1/16
8 5V5000 TB	50.00	49.90	4 1/2	4545	A-3	8 7/16	1/4	4 1/2	1 1/16

**5V-8**

**M=7 3/16" (182.56mm)**

SIZE 规格	De 外径	Dp 节径	Bush Max Bore 最大孔径	Bush	Form 型号	Dimension			
						Di	F	D	C
8 5V800 TB	8.00	7.90	3	3030	A-1	-	1	3	3 3/16
8 5V850 TB	8.50	8.40	3	3030	A-1	-	1	3	3 3/16
8 5V900 TB	9.00	8.90	3 1/2	3535	A-1	-	1	3 1/2	2 11/16
8 5V925 TB	9.25	9.15	4	4040	A-1	-	1	4	2 3/16
8 5V975 TB	9.75	9.65	4	4040	A-1	-	1	4	2 3/16
8 5V1030 TB	10.30	10.20	4	4040	A-1	-	1	4	2 3/16
8 5V1090 TB	10.90	10.80	4	4040	A-1	-	1	4	2 3/16
8 5V1180 TB	11.80	11.70	4	4040	A-1	-	1	4	2 3/16
8 5V1250 TB	12.50	12.40	4	4040	A-2	7 3/16	3/4	4	2 7/16
8 5V1320 TB	13.20	13.10	4	4040	A-2	7 3/16	3/4	4	2 7/16
8 5V1400 TB	14.00	13.90	4 1/2	4545	A-2	8 7/16	3/4	4 1/2	1 15/16
8 5V1500 TB	15.00	14.90	4 1/2	4545	A-2	8 7/16	3/4	4 1/2	1 15/16
8 5V1600 TB	16.00	15.90	4 1/2	4545	A-2	8 7/16	3/4	4 1/2	1 15/16
8 5V2120 TB	21.20	21.10	4 1/2	4545	A-3	8 7/16	3/4	4 1/2	1 15/16
8 5V2800 TB	28.00	27.90	4 1/2	4545	A-3	8 7/16	3/4	4 1/2	1 15/16
8 5V3750 TB	37.50	37.40	4 1/2	4545	A-3	8 7/16	3/4	4 1/2	1 15/16
8 5V5000 TB	50.00	49.90	5	5050	A-3	10	3/4	5	1 7/16