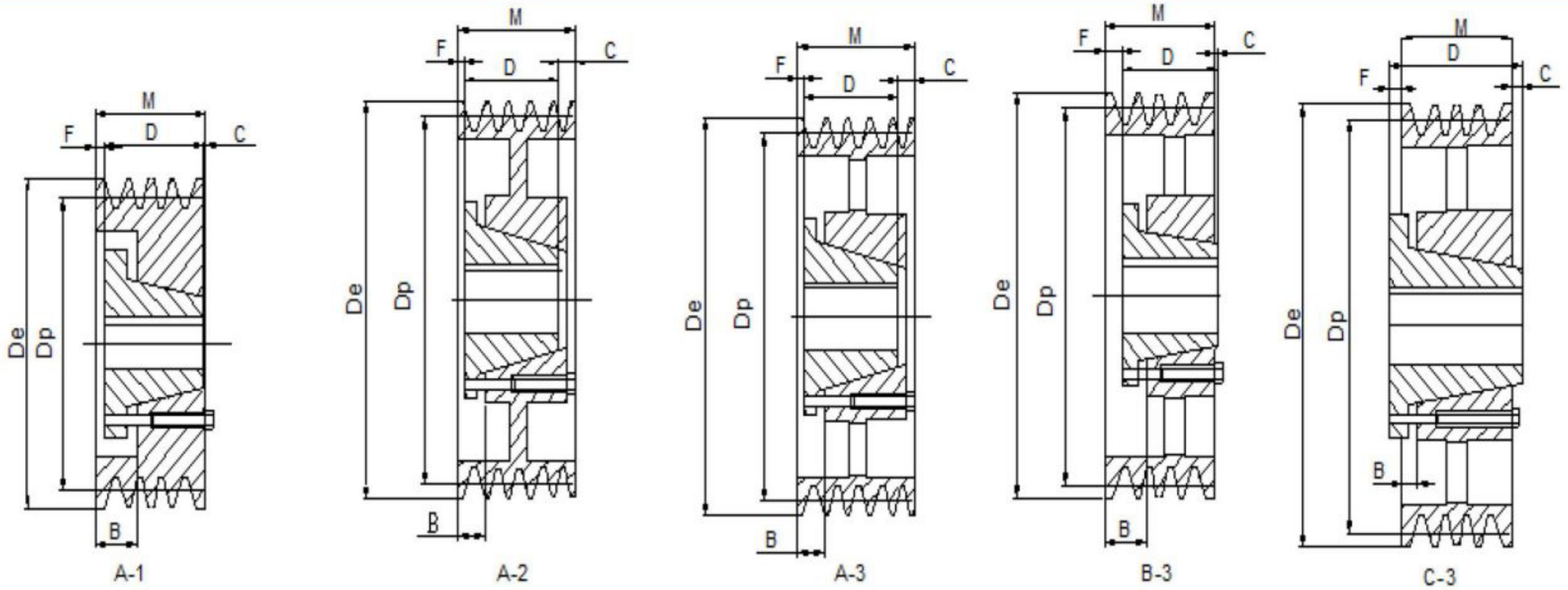




**8V QD SHEAVES**



**8V-4**

**M=4 7/8" (123.83mm)**

SIZE 规格	De 外径	Dp 节径	Bush Max Bore 最大孔径	Bush	Form 型号	Dimension				
						Di	F	B	D	C
4 8V1250 F	12.50	12.30	3 15/16	F	A-1	-	3/16	1 3/16	3 5/8	1 1/16
4 8V1320 F	13.20	13.00	3 15/16	F	A-2	7	3/16	1 3/16	3 5/8	1 1/16
4 8V1400 F	14.00	13.80	3 15/16	F	A-2	7	3/16	1 3/16	3 5/8	1 1/16
4 8V1500 F	15.00	14.80	3 15/16	F	A-2	7	3/16	1 3/16	3 5/8	1 1/16
4 8V1600 F	16.00	15.80	3 15/16	F	A-2	7	3/16	1 3/16	3 5/8	1 1/16
4 8V1700 F	17.00	16.80	3 15/16	F	A-3	7	3/16	1 3/16	3 5/8	1 1/16
4 8V1800 F	18.00	17.80	3 15/16	F	A-3	7	3/16	1 3/16	3 5/8	1 1/16
4 8V1900 F	19.00	18.80	3 15/16	F	A-3	7 3/4	1/4	1 7/16	4 1/2	1/8
4 8V 2000 J	20.00	19.80	4 1/2	J	A-3	7 3/4	1/4	1 7/16	4 1/2	1/8
4 8V 2120 J	21.20	21.00	4 1/2	J	A-3	7 3/4	1/4	1 7/16	4 1/2	1/8
4 8V 2240 J	22.40	22.20	4 1/2	J	C-3	9 1/2	5/8	13/16	6 3/4	1 1/4
4 8V 2480 M	24.80	24.60	5 1/2	M	C-3	9 1/2	5/8	13/16	6 3/4	1 1/4
4 8V 3000 M	30.00	29.80	5 1/2	M	C-3	9 1/2	5/8	13/16	6 3/4	1 1/4
4 8V 3550 M	35.50	35.30	5 1/2	M	C-3	9 1/2	5/8	13/16	6 3/4	1 1/4
4 8V 4000 M	40.00	39.80	5 1/2	M	C-3	9 1/2	5/8	13/16	6 3/4	1 1/4
4 8V 4450 M	44.50	44.30	5 1/2	M	C-3	9 1/2	5/8	13/16	6 3/4	1 1/4
4 8V 5300 M	53.00	52.80	5 1/2	M	C-3	9 1/2	5/8	13/16	6 3/4	1 1/4

**8V-5**

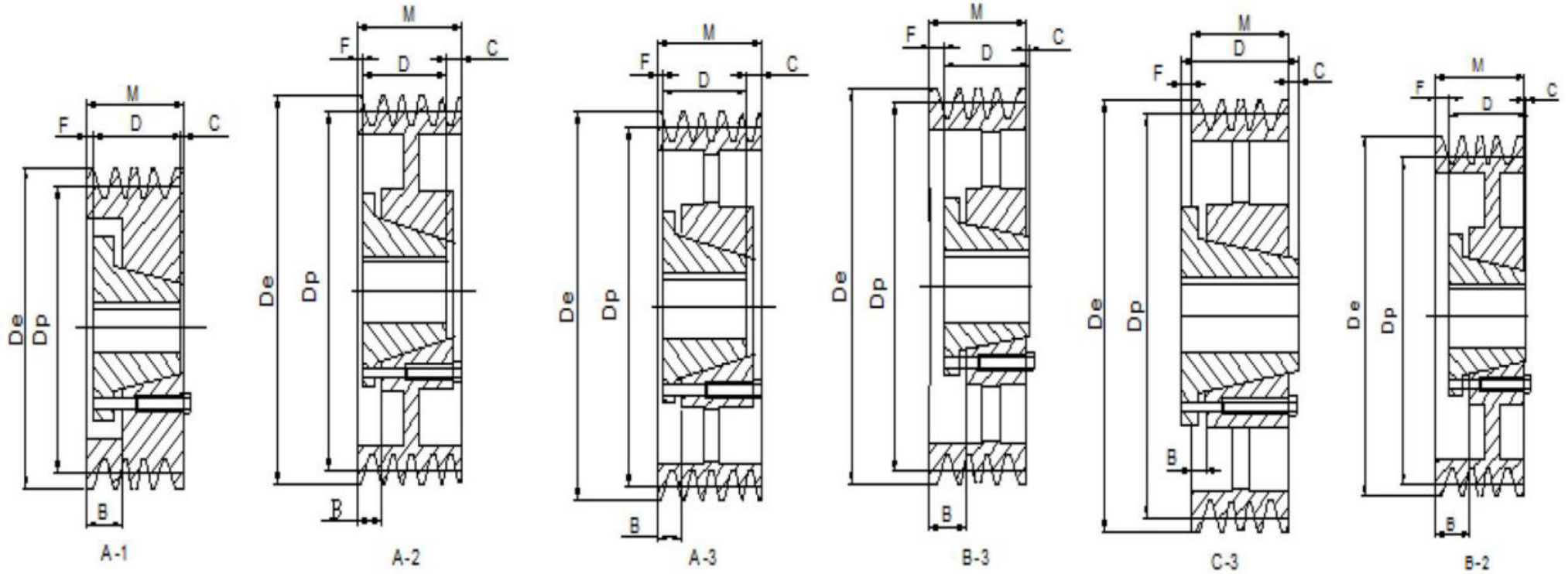
**M=6" (152.4mm)**

SIZE 规格	De 外径	Dp 节径	Bush Max Bore 最大孔径	Bush	Form 型号	Dimension				
						Di	F	B	D	C
5 8V 1250 F	12.50	12.30	3 15/16	F	A-1	-	1 5/16	2 5/16	3 5/8	1 1/16
5 8V 1320 F	13.20	13.00	3 15/16	F	A-2	7	1 5/16	2 5/16	3 5/8	1 1/16
5 8V 1400 F	14.00	13.80	3 15/16	F	A-2	7	1 5/16	2 5/16	3 5/8	1 1/16
5 8V 1500 F	15.00	14.80	3 15/16	F	A-2	7	1 5/16	2 5/16	3 5/8	1 1/16
5 8V 1600 F	16.00	15.80	3 15/16	F	A-2	7	1 5/16	2 5/16	3 5/8	1 1/16
5 8V 1700 J	17.00	16.80	4 1/2	J	A-3	7 3/4	13/16	2	4 1/2	11/16
5 8V 1800 J	18.00	17.80	4 1/2	J	A-3	7 3/4	13/16	2	4 1/2	11/16
5 8V 1900 J	19.00	18.80	4 1/2	J	A-3	7 3/4	13/16	2	4 1/2	11/16
5 8V 2000 J	20.00	19.80	4 1/2	J	A-3	7 3/4	13/16	2	4 1/2	11/16
5 8V 2120 J	21.20	21.00	4 1/2	J	A-3	7 3/4	13/16	2	4 1/2	11/16
5 8V 2240 M	22.40	22.20	5 1/2	M	B-3	9 1/2	1/2	1 15/16	6 3/4	1 1/4
5 8V 2480 M	24.80	24.60	5 1/2	M	B-3	9 1/2	1/2	1 15/16	6 3/4	1 1/4
5 8V 3000 M	30.00	29.80	5 1/2	M	B-3	9 1/2	1/2	1 15/16	6 3/4	1 1/4
5 8V 3550 M	35.50	35.30	5 1/2	M	B-3	9 1/2	1/2	1 15/16	6 3/4	1 1/4
5 8V 4000 M	40.00	39.80	5 1/2	M	B-3	9 1/2	1/2	1 15/16	6 3/4	1 1/4
4 8V 4450 N	44.50	44.30	6	N	C-3	10 1/2	13/16	15/16	8 1/8	1 5/16
4 8V 5300 N	53.00	52.80	6	N	C-3	10 1/2	13/16	15/16	8 1/8	1 5/16





**8V QD SHEAVES**



**8V-6**

**M=7 1/8" (180.98mm)**

SIZE 规格	De 外径	Dp 节径	Bush Max Bore 最大孔径	Bush	Form 型号	Dimension				
						Di	F	B	D	C
6 8V 1250 F	12.50	12.30	3 15/16	F	A-1	-	1 5/16	2 5/16	3 5/8	2 3/16
6 8V 1320 F	13.20	13.00	3 15/16	F	A-1	-	1 5/16	2 5/16	3 5/8	2 3/16
6 8V 1400 F	14.00	13.80	3 15/16	F	A-1	-	1 5/16	2 5/16	3 5/8	2 3/16
6 8V 1500 J	15.00	14.80	4 1/2	J	A-1	-	1 3/8	2 9/16	4 1/2	1 1/4
6 8V 1600 J	16.00	15.80	4 1/2	J	A-1	-	1 3/8	2 9/16	4 1/2	1 1/4
6 8V 1700 J	17.00	16.80	4 1/2	J	A-2	7 3/4	1 3/8	2 9/16	4 1/2	1 1/4
6 8V 1800 J	18.00	17.80	4 1/2	J	A-2	7 3/4	1 3/8	2 9/16	4 1/2	1 1/4
6 8V 1900 J	19.00	18.80	4 1/2	J	A-2	7 3/4	1 3/8	2 9/16	4 1/2	1 1/4
6 8V 2000 M	20.00	19.80	5 1/2	M	B-2	9 1/2	1 1/2	2 15/16	6 3/4	1 1/8
6 8V 2120 M	21.20	21.00	5 1/2	M	B-2	9 1/2	1 1/2	2 15/16	6 3/4	1 1/8
6 8V 2240 M	22.40	22.20	5 1/2	M	B-3	9 1/2	1 1/2	2 15/16	6 3/4	1 1/8
6 8V 2480 M	24.80	24.60	5 1/2	M	B-3	9 1/2	1/2	1 15/16	6 3/4	1/8
6 8V 3000 M	30.00	29.80	5 1/2	M	B-3	9 1/2	1/2	1 15/16	6 3/4	1/8
6 8V 3550 N	35.50	35.30	6	N	C-3	10 1/2	5/8	1 1/8	8 1/8	3/8
6 8V 4000 N	40.00	39.80	6	N	C-3	10 1/2	5/8	1 1/8	8 1/8	3/8
6 8V 4450 N	44.50	44.30	6	N	C-3	10 1/2	5/8	1 1/8	8 1/8	3/8
6 8V 5300 N	53.00	52.80	6	N	C-3	10 1/2	5/8	1 1/8	8 1/8	3/8
6 8V 6300 P	63.00	62.80	6 3/4	P	C-3	12 1/4	-	2	9 3/8	1 7/8
6 8V 7100 P	71.00	70.80	6 3/4	P	C-3	12 1/4	5/8	2 5/8	9 3/8	2 1/2

**8V-8**

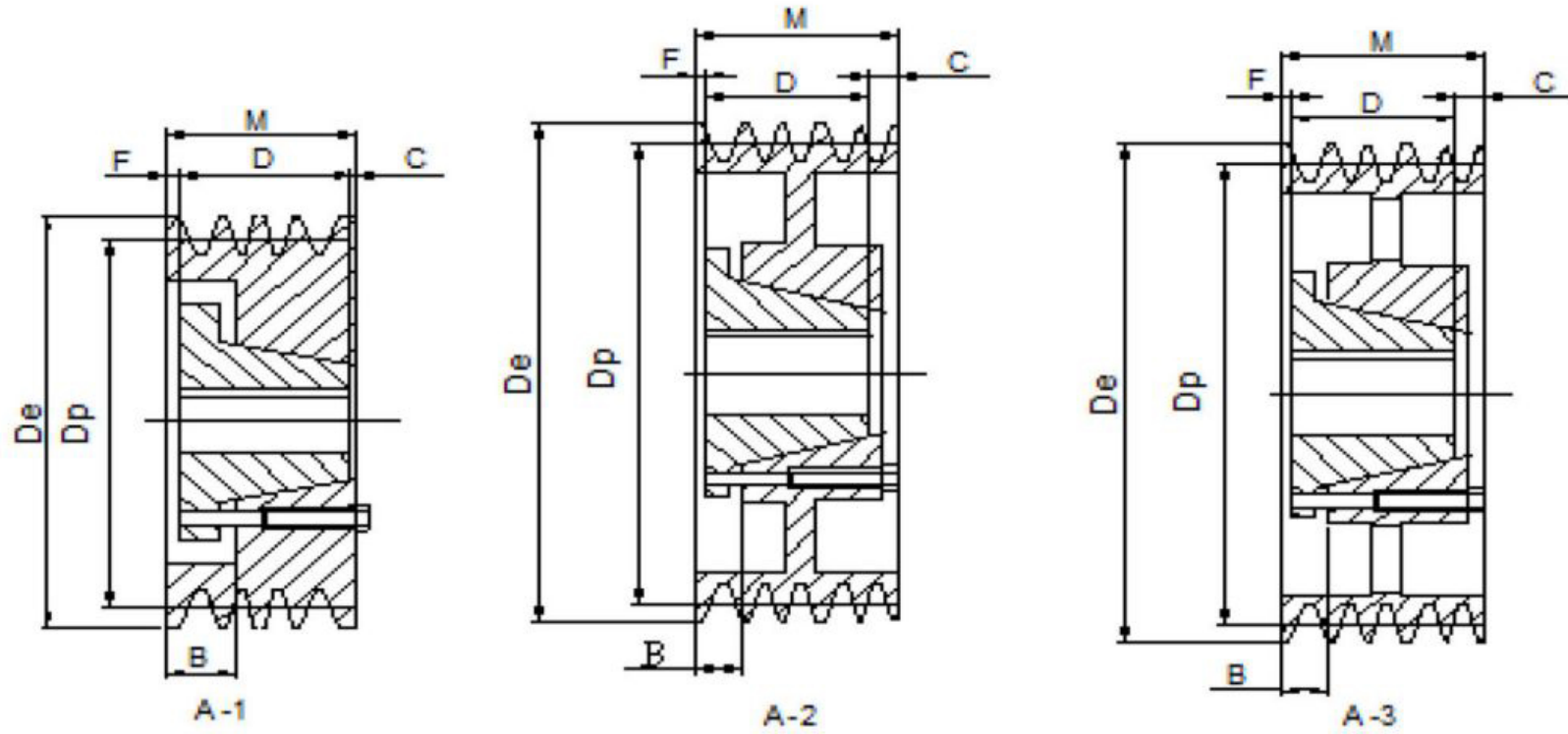
**M=9 3/8" (238.13mm)**

SIZE 规格	De 外径	Dp 节径	Bush Max Bore 最大孔径	Bush	Form 型号	Dimension				
						Di	F	B	D	C
8 8V 1250 J	12.50	12.30	4 1/2	J	A-1	-	2 3/8	3 9/16	4 1/2	2 1/2
8 8V 1320 J	13.20	13.00	4 1/2	J	A-1	-	2 3/8	3 9/16	4 1/2	2 1/2
8 8V 1400 J	14.00	13.80	4 1/2	J	A-1	-	2 3/8	3 9/16	4 1/2	2 1/2
8 8V 1500 J	15.00	14.80	4 1/2	J	A-1	-	2 3/8	3 9/16	4 1/2	2 1/2
8 8V 1600 J	16.00	15.80	4 1/2	J	A-1	-	2 3/8	3 9/16	4 1/2	2 1/2
8 8V 1700 M	17.00	16.80	5 1/2	M	A-2	9 1/2	2 1/2	3 15/16	6 3/4	1/8
8 8V 1800 M	18.00	17.80	5 1/2	M	A-2	9 1/2	2 1/2	3 15/16	6 3/4	1/8
8 8V 1900 M	19.00	18.80	5 1/2	M	A-2	9 1/2	2 1/2	3 15/16	6 3/4	1/8
8 8V 2000 M	20.00	19.80	5 1/2	M	A-2	9 1/2	2 1/2	3 15/16	6 3/4	1/8
8 8V 2120 M	21.20	21.00	5 1/2	M	A-2	9 1/2	2 1/2	3 15/16	6 3/4	1/8
8 8V 2240 M	22.40	22.20	5 1/2	M	A-3	9 1/2	2 1/2	3 15/16	6 3/4	1/8
8 8V 2480 N	24.80	24.60	6	N	A-3	10 1/2	1/2	2 1/4	8 1/8	3/4
8 8V 3000 N	30.00	29.80	6	N	A-3	10 1/2	1/2	2 1/4	8 1/8	3/4
8 8V 3550 N	35.50	35.30	6	N	A-3	10 1/2	1/2	2 1/4	8 1/8	3/4
8 8V 4000 N	40.00	39.80	6	N	A-3	10 1/2	1/2	2 1/4	8 1/8	3/4
8 8V 4450 P	44.50	44.30	6 3/4	P	B-3	12 1/4	5/8	2 5/8	9 3/8	5/8
8 8V 5300 P	53.00	52.80	6 3/4	P	B-3	12 1/4	5/8	2 5/8	9 3/8	5/8
8 8V 6300 P	63.00	62.80	6 3/4	P	B-3	12 1/4	5/8	2 5/8	9 3/8	5/8
8 8V 7100 W	71.00	70.80	8 1/2	W	C-3	16	7/8	1 3/8	11 3/8	3/4





**8V QD SHEAVES**



**8V-10**

**M=11 5/8" (295.28mm)**

SIZE 规格	De 外径	Dp 节径	Bush Max Bore 最大孔径	Bush	Form 型号	Dimension				
						Di	F	B	D	C
10 8V 1250 J	12.50	12.30	4 1/2	J	A-1	-	2 3/8	3 9/16	4 1/2	4 3/4
10 8V 1320 J	13.20	13.00	4 1/2	J	A-1	-	2 3/8	3 9/16	4 1/2	4 3/4
10 8V 1400 J	14.00	13.80	4 1/2	J	A-1	-	2 3/8	3 9/16	4 1/2	4 3/4
10 8V 1500 M	15.00	14.80	5 1/2	M	A-1	-	2 1/2	3 15/16	6 3/4	2 3/8
10 8V 1600 M	16.00	15.80	5 1/2	M	A-1	-	2 1/2	3 15/16	6 3/4	2 3/8
10 8V 1700 M	17.00	16.80	5 1/2	M	A-2	9 1/2	2 1/2	3 15/16	6 3/4	2 3/8
10 8V 1800 M	18.00	17.80	5 1/2	M	A-2	9 1/2	2 1/2	3 15/16	6 3/4	2 3/8
10 8V 1900 M	19.00	18.80	5 1/2	M	A-2	9 1/2	2 1/2	3 15/16	6 3/4	2 3/8
10 8V 2000 M	20.00	19.80	5 1/2	M	A-2	9 1/2	2 1/2	3 15/16	6 3/4	2 3/8
10 8V 2120 M	21.20	21.00	5 1/2	M	A-2	9 1/2	2 1/2	3 15/16	6 3/4	2 3/8
10 8V 2240 N	22.40	22.20	6	N	A-2	10 1/2	1/2	2 1/4	8 1/8	3
10 8V 2480 N	24.80	24.60	6	N	A-2	10 1/2	1/2	2 1/4	8 1/8	3
10 8V 3000 N	30.00	29.80	6	N	A-3	10 1/2	1/2	2 1/4	8 1/8	3
10 8V 3550 P	35.50	35.30	6 3/4	P	A-3	12 1/4	5/8	2 5/8	9 3/8	1 5/8
10 8V 4000 P	40.00	39.80	6 3/4	P	A-3	12 1/4	5/8	2 5/8	9 3/8	1 5/8
10 8V 4450 P	44.50	44.30	6 3/4	P	A-3	12 1/4	5/8	2 5/8	9 3/8	1 5/8
10 8V 5300 P	53.00	52.80	6 3/4	P	A-3	12 1/4	5/8	2 5/8	9 3/8	1/4
10 8V 6300 W	63.00	62.80	8 1/2	W	A-3	16	5/8	2 7/8	11 3/8	-
10 8V 7100 W	71.00	70.80	8 1/2	W	A-3	16	5/8	2 7/8	11 3/8	-

**8V-12**

**M=14" (355.60mm)**

SIZE 规格	De 外径	Dp 节径	Bush Max Bore 最大孔径	Bush	Form 型号	Dimension				
						Di	F	B	D	C
12 8V 1250 M	12.50	12.30	5 1/2	M	A-1	-	2 1/2	3 15/16	6 3/4	4 5/8
12 8V 1320 M	13.20	13.00	5 1/2	M	A-1	-	2 1/2	3 15/16	6 3/4	4 5/8
12 8V 1400 M	14.00	13.80	5 1/2	M	A-1	-	2 1/2	3 15/16	6 3/4	4 5/8
12 8V 1500 M	15.00	14.80	5 1/2	M	A-1	-	2 1/2	3 15/16	6 3/4	4 5/8
12 8V 1600 M	16.00	15.80	5 1/2	M	A-1	-	2 1/2	3 15/16	6 3/4	4 5/8
12 8V 1700 M	17.00	16.80	5 1/2	M	A-1	-	2 1/2	3 15/16	6 3/4	4 5/8
12 8V 1800 M	18.00	17.80	5 1/2	M	A-2	-	2 1/2	3 15/16	6 3/4	4 5/8
12 8V 1900 N	19.00	18.80	6	N	A-2	10 1/2	1/2	2 1/4	8 1/8	5 1/4
12 8V 2000 N	20.00	19.80	6	N	A-2	10 1/2	1/2	2 1/4	8 1/8	5 1/4
12 8V 2120 N	21.20	21.00	6	N	A-2	10 1/2	1/2	2 1/4	8 1/8	5 1/4
12 8V 2240 N	22.40	22.20	6	N	A-2	10 1/2	1/2	2 1/4	8 1/8	5 1/4
12 8V 2480 N	24.80	24.60	6	N	A-2	10 1/2	1/2	2 1/4	8 1/8	5 1/4
12 8V 3000 P	30.00	29.80	6 3/4	P	A-3	12 1/2	5/8	2 5/8	9 3/8	3 7/8
12 8V 3550 P	35.50	35.30	6 3/4	P	A-3	12 1/4	5/8	2 5/8	9 3/8	3 7/8
12 8V 4000 P	40.00	39.80	6 3/4	P	A-3	12 1/4	5/8	2 5/8	9 3/8	3 7/8
12 8V 4450 P	44.50	44.30	6 3/4	P	A-3	12 1/4	5/8	2 5/8	9 3/8	3 7/8
12 8V 5300 W	53.00	52.80	8 1/2	W	A-3	16	5/8	2 7/8	11 3/8	2 1/4
12 8V 6300 W	63.00	62.80	8 1/2	W	A-3	16	5/8	2 7/8	11 3/8	2 1/4
12 8V 7100 W	71.00	70.80	8 1/2	W	A-3	16	5/8	2 7/8	11 3/8	2 1/4