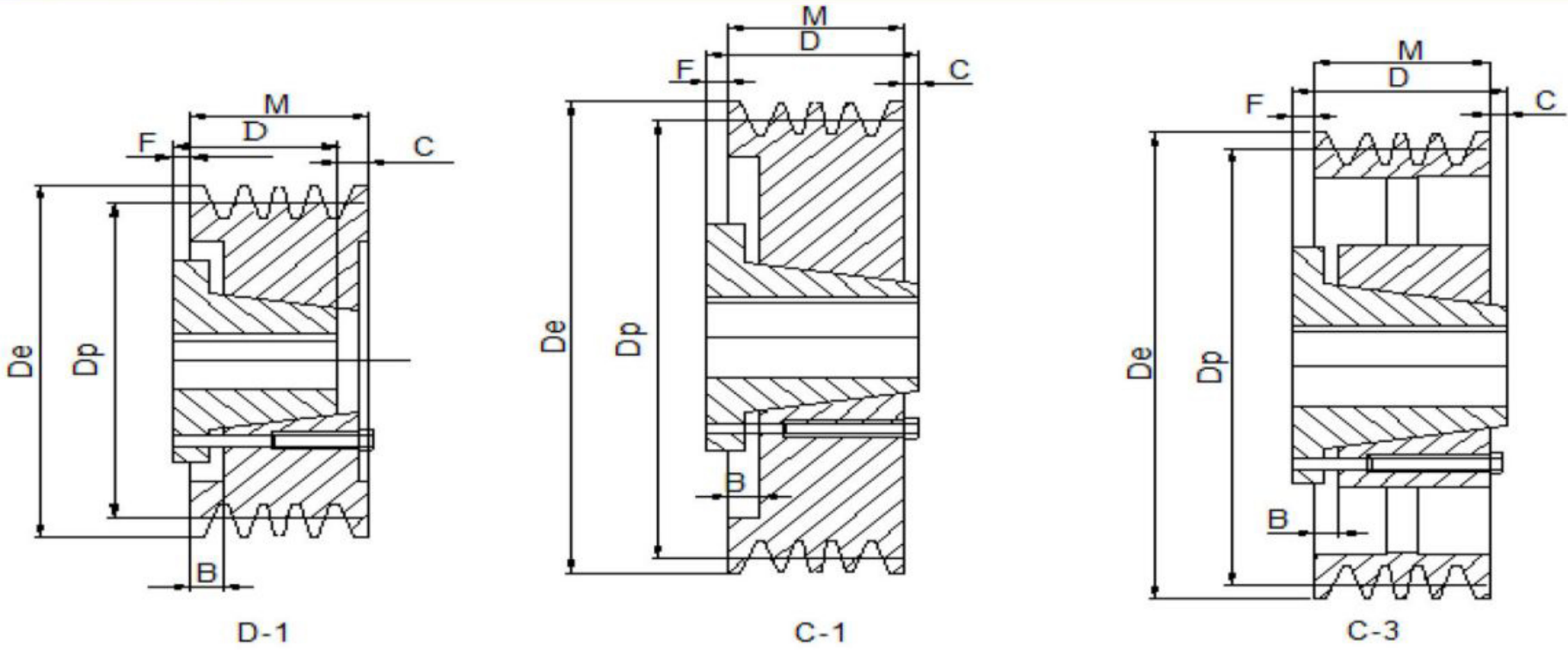




**A-B QD SHEAVES**



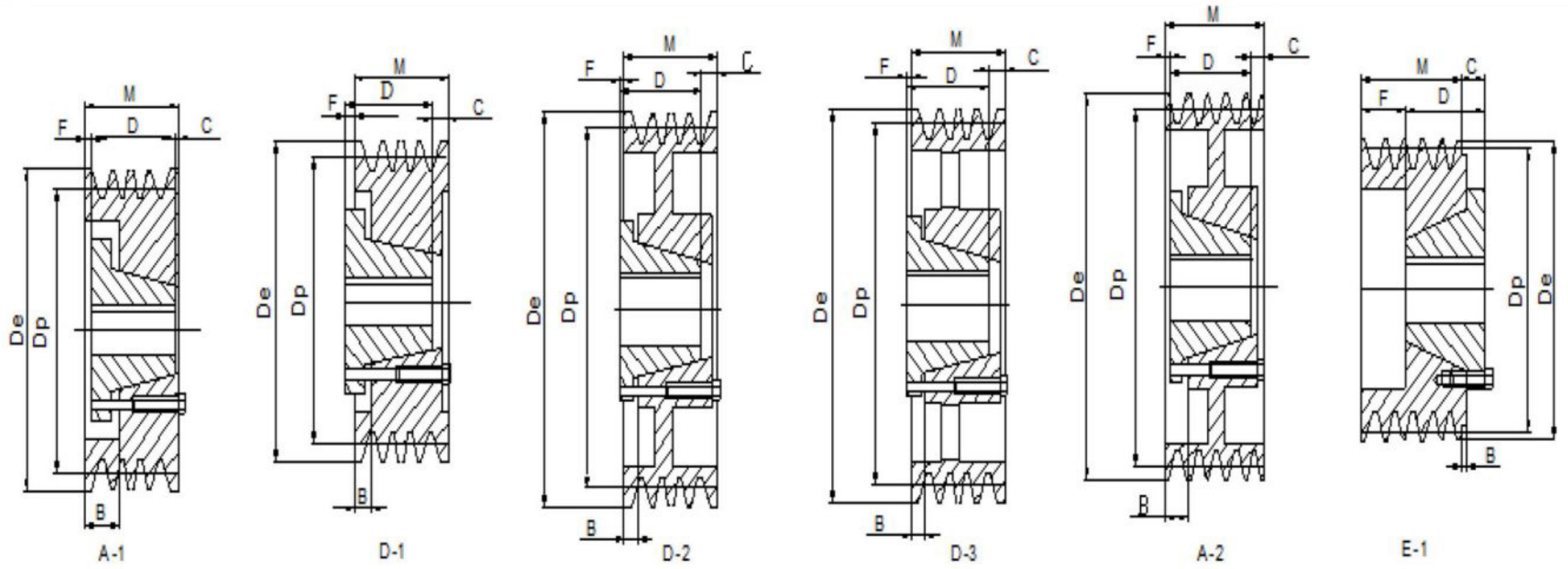
**A/B-1**

**M=1" (25.40mm)**

SIZE 规格	D.P		De 外径	BUSH	Form 型号	Bush Max Bore 最大孔径	Dimension			
	A	B					F	B	D	C
1 B 34 SH	3.00	3.40	3.75	SH	D-1	1 11/16	9/16	-	1 5/16	1/8
1 B 36 SH	3.20	3.60	3.95	SH	D-1	1 11/16	9/16	-	1 5/16	1/8
1 B 38 SH	3.40	3.80	4.15	SH	D-1	1 11/16	9/16	-	1 5/16	1/8
1 B 40 SH	3.60	4.00	4.35	SH	C-1	1 11/16	1/4	5/16	1 5/16	3/16
1 B 42 SH	3.80	4.20	4.55	SH	C-1	1 11/16	1/4	5/16	1 5/16	3/16
1 B 44 SH	4.00	4.40	4.75	SH	C-1	1 11/16	1/4	5/16	1 5/16	3/16
1 B 46 SDS	4.20	4.60	4.95	SDS	C-1	2	5/16	5/16	1 3/8	3/16
1 B 48 SDS	4.40	4.80	5.15	SDS	C-1	2	5/16	5/16	1 3/8	3/16
1 B 50 SDS	4.60	5.00	5.35	SDS	C-1	2	5/16	5/16	1 3/8	3/16
1 B 52 SDS	4.80	5.20	5.55	SDS	C-1	2	5/16	5/16	1 3/8	3/16
1 B 54 SDS	5.00	5.40	5.75	SDS	C-1	2	5/16	5/16	1 3/8	3/16
1 B 56 SDS	5.20	5.60	5.95	SDS	C-1	2	5/16	5/16	1 3/8	3/16
1 B 58 SDS	5.40	5.80	6.15	SDS	C-1	2	5/16	5/16	1 3/8	3/16
1 B 60 SDS	5.60	6.00	6.35	SDS	C-1	2	5/16	5/16	1 3/8	3/16
1 B 62 SDS	5.80	6.20	6.55	SDS	C-2	2	5/16	5/16	1 3/8	3/16
1 B 64 SDS	6.00	6.40	6.75	SDS	C-2	2	5/16	5/16	1 3/8	3/16
1 B 66 SDS	6.20	6.60	6.95	SDS	C-2	2	5/16	5/16	1 3/8	3/16
1 B 68 SDS	6.40	6.80	7.15	SDS	C-2	2	5/16	5/16	1 3/8	3/16
1 B 70 SDS	6.60	7.00	7.35	SDS	C-2	2	1/2	1/8	1 3/8	1/8
1 B 74 SDS	7.00	7.40	7.75	SDS	C-2	2	1/2	1/8	1 3/8	1/8
1 B 80 SDS	7.60	8.00	8.35	SDS	C-3	2	1/2	1/8	1 3/8	1/8
1 B 86 SDS	8.20	8.60	8.95	SDS	C-3	2	1/2	1/8	1 3/8	1/8
1 B 94 SDS	9.00	9.40	9.75	SDS	C-3	2	1/2	1/8	1 3/8	1/8
1 B 110 SDS	10.60	11.00	11.35	SDS	C-3	2	1/2	1/8	1 3/8	1/8
1 B 124 SDS	12.00	12.40	12.75	SDS	C-3	2	1/2	1/8	1 3/8	1/8
1 B 136 SDS	13.20	13.60	13.95	SDS	C-3	2	1/2	1/8	1 3/8	1/8
1 B 154 SK	15.00	15.40	15.75	SK	C-3	2 5/8	9/16	1/8	1 15/16	3/8
1 B 160 SK	15.60	16.00	16.35	SK	C-3	2 5/8	9/16	1/8	1 15/16	3/8
1 B 184 SK	18.00	18.40	18.75	SK	C-3	2 5/8	9/16	1/8	1 15/16	3/8
1 B 200 SK	19.60	20.00	20.35	SK	C-3	2 5/8	9/16	1/8	1 15/16	3/8



**A-B QD SHEAVES**



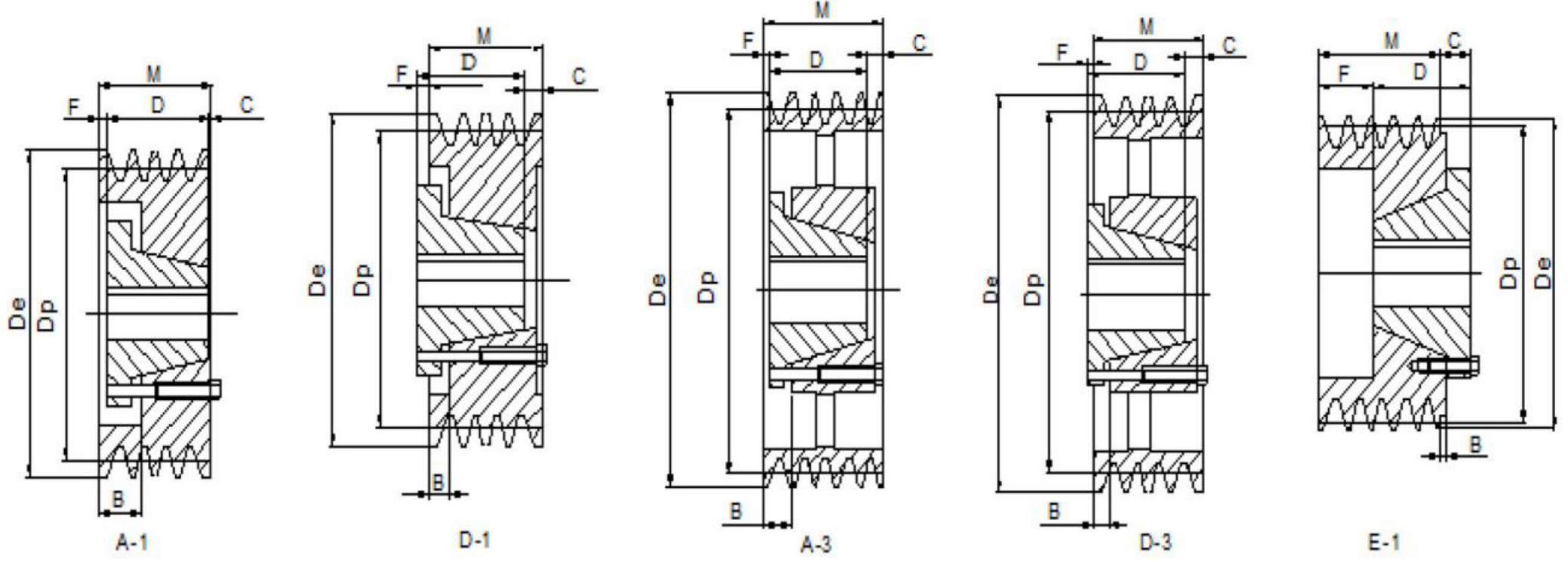
**A/B-2**

**M=1 3/4" (44.45mm)**

SIZE 规格	D.P		De 外径	BUSH	Form 型号	Bush Max Bore 最大孔径	Dimension			
	A	B					F	B	D	C
2 B 34 SH	3.00	3.40	3.75	SH	E-1	1 11/16	1	-	1 5/16	9/16
2 B 36 SH	3.20	3.60	3.95	SH	D-1	1 11/16	3/8	3/16	1 5/16	13/16
2 B 38 SH	3.40	3.80	4.15	SH	D-1	1 11/16	3/8	3/16	1 5/16	13/16
2 B 40 SH	3.60	4.00	4.35	SH	A-1	1 11/16	1/8	11/16	1 5/16	5/16
2 B 42 SH	3.80	4.20	4.55	SH	A-1	1 11/16	1/8	11/16	1 5/16	5/16
2 B 44 SH	4.00	4.40	4.75	SH	A-1	1 11/16	1/8	11/16	1 5/16	5/16
2 B 46 SDS	4.20	4.60	4.95	SDS	A-1	2	1/16	11/16	1 3/8	5/16
2 B 48 SDS	4.40	4.80	5.15	SDS	A-1	2	1/16	11/16	1 3/8	5/16
2 B 50 SDS	4.60	5.00	5.35	SDS	A-1	2	1/16	11/16	1 3/8	5/16
2 B 52 SDS	4.80	5.20	5.55	SDS	A-1	2	1/16	11/16	1 3/8	5/16
2 B 54 SDS	5.00	5.40	5.75	SDS	A-1	2	1/16	11/16	1 3/8	5/16
2 B 56 SDS	5.20	5.60	5.95	SDS	A-2	2	1/16	11/16	1 3/8	5/16
2 B 58 SDS	5.40	5.80	6.15	SDS	A-2	2	1/16	11/16	1 3/8	5/16
2 B 60 SDS	5.60	6.00	6.35	SDS	A-2	2	1/16	11/16	1 3/8	5/16
2 B 62 SDS	5.80	6.20	6.55	SDS	A-2	2	1/16	11/16	1 3/8	5/16
2 B 64 SDS	6.00	6.40	6.75	SDS	A-2	2	1/16	11/16	1 3/8	5/16
2 B 66 SDS	6.20	6.60	6.95	SDS	A-2	2	1/16	11/16	1 3/8	5/16
2 B 68 SDS	6.40	6.80	7.15	SDS	A-2	2	1/16	11/16	1 3/8	5/16
2 B 70 SK	6.60	7.00	7.35	SK	D-2	2 5/8	1/4	7/16	1 15/16	1/16
2 B 74 SK	7.00	7.40	7.75	SK	D-2	2 5/8	1/4	7/16	1 15/16	1/16
2 B 80 SK	7.60	8.00	8.35	SK	D-2	2 5/8	1/4	7/16	1 15/16	1/16
2 B 86 SK	8.20	8.60	8.95	SK	D-3	2 5/8	1/4	7/16	1 15/16	1/16
2 B 94 SK	9.00	9.40	9.75	SK	D-3	2 5/8	1/4	7/16	1 15/16	1/16
2 B 110 SK	10.60	11.00	11.35	SK	D-3	2 5/8	1/4	7/16	1 15/16	1/16
2 B 124 SK	12.00	12.40	12.75	SK	D-3	2 5/8	1/4	7/16	1 15/16	1/16
2 B 136 SK	13.20	13.60	13.95	SK	D-3	2 5/8	1/4	7/16	1 15/16	1/16
2 B 154 SK	15.00	15.40	15.75	SK	D-3	2 5/8	1/4	7/16	1 15/16	1/16
2 B 160 SK	15.60	16.00	16.35	SK	D-3	2 5/8	1/4	7/16	1 15/16	1/16
2 B 184 SK	18.00	18.40	18.75	SK	D-3	2 5/8	1/4	7/16	1 15/16	1/16
2 B 200 SF	19.60	20.00	20.35	SF	D-3	2 15/16	5/16	3/8	2 1/16	-
2 B 250 SF	24.60	25.00	25.35	SF	D-3	2 15/16	5/16	3/8	2 1/16	-
2 B 300 SF	29.60	30.00	30.35	SF	D-3	2 15/16	5/16	3/8	2 1/16	-
2 B 380 SF	37.60	38.00	38.35	SF	D-3	2 15/16	5/16	3/8	2 1/16	-



**A-B QD SHEAVES**



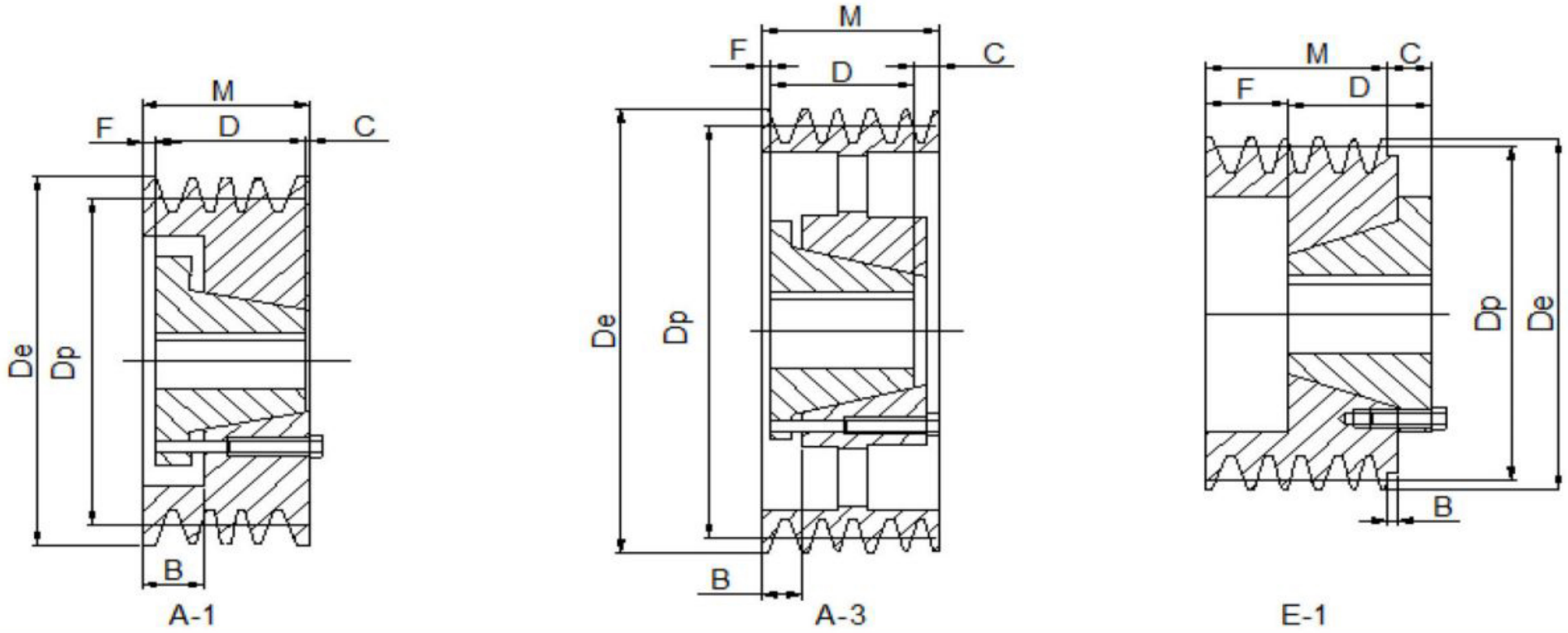
**A/B-3**

**M=2 1/2" (63.50mm)**

SIZE 规格	D.P		De 外径	BUSH	Form 型号	Bush Max Bore 最大孔径	Dimension			
	A	B					F	B	D	C
3 B 34 SH	3.00	3.40	3.75	SH	E-1	1 11/16	1 3/4	-	1 5/16	9/16
3 B 36 SH	3.20	3.60	3.95	SH	D-1	1 11/16	3/8	3/16	1 5/16	1 9/16
3 B 38 SH	3.40	3.80	4.15	SH	D-1	1 11/16	3/8	3/16	1 5/16	1 9/16
3 B 40 SH	3.60	4.00	4.35	SH	A-1	1 11/16	1/2	1 1/16	1 5/16	11/16
3 B 42 SH	3.80	4.20	4.55	SH	A-1	1 11/16	1/2	1 1/16	1 5/16	11/16
3 B 44 SH	4.00	4.40	4.75	SH	A-1	1 11/16	1/2	1 1/16	1 5/16	11/16
3 B 46 SD	4.20	4.60	4.95	SD	A-1	2	7/16	1 1/16	1 13/16	1/4
3 B 48 SD	4.40	4.80	5.15	SD	A-1	2	7/16	1 1/16	1 13/16	1/4
3 B 50 SD	4.60	5.00	5.35	SD	A-1	2	7/16	1 1/16	1 13/16	1/4
3 B 52 SD	4.80	5.20	5.55	SD	A-1	2	7/16	1 1/16	1 13/16	1/4
3 B 54 SD	5.00	5.40	5.75	SD	A-1	2	7/16	1 1/16	1 13/16	1/4
3 B 56 SD	5.20	5.60	5.95	SD	A-1	2	7/16	1 1/16	1 13/16	1/4
3 B 58 SD	5.40	5.80	6.15	SD	A-1	2	7/16	1 1/16	1 13/16	1/4
3 B 60 SD	5.60	6.00	6.35	SD	A-1	2	7/16	1 1/16	1 13/16	1/4
3 B 62 SD	5.80	6.20	6.55	SD	A-1	2	7/16	1 1/16	1 13/16	1/4
3 B 64 SD	6.00	6.40	6.75	SD	A-1	2	7/16	1 1/16	1 13/16	1/4
3 B 66 SD	6.20	6.60	6.95	SD	A-1	2	7/16	1 1/16	1 13/16	1/4
3 B 68 SD	6.40	6.80	7.15	SD	A-1	2	7/16	1 1/16	1 13/16	1/4
3 B 70 SK	6.60	7.00	7.35	SK	A-1	2 5/8	-	11/16	1 15/16	9/16
3 B 74 SK	7.00	7.40	7.75	SK	A-1	2 5/8	-	11/16	1 15/16	9/16
3 B 80 SK	7.60	8.00	8.35	SK	A-1	2 5/8	-	11/16	1 15/16	9/16
3 B 86 SK	8.20	8.60	8.95	SK	A-3	2 5/8	-	11/16	1 15/16	9/16
3 B 94 SK	9.00	9.40	9.75	SK	A-3	2 5/8	-	11/16	1 15/16	9/16
3 B 110 SK	10.60	11.00	11.35	SK	A-3	2 5/8	-	11/16	1 15/16	9/16
3 B 124 SK	12.00	12.40	12.75	SK	A-3	2 5/8	-	11/16	1 15/16	9/16
3 B 136 SK	13.20	13.60	13.95	SK	A-3	2 5/8	-	11/16	1 15/16	9/16
3 B 154 SK	15.00	15.40	15.75	SK	A-3	2 5/8	-	11/16	1 15/16	9/16
3 B 160 SK	15.60	16.00	16.35	SK	A-3	2 5/8	-	11/16	1 15/16	9/16
3 B 184 SK	18.00	18.40	18.75	SK	A-3	2 5/8	-	11/16	1 15/16	9/16
3 B 200 SF	19.60	20.00	20.35	SF	D-3	2 5/16	1/16	5/8	2 1/16	1/2
3 B 250 SF	24.60	25.00	25.35	SF	D-3	2 5/16	1/16	5/8	2 1/16	1/2
3 B 300 SF	29.60	30.00	30.35	SF	D-3	2 5/16	1/16	5/8	2 1/16	1/2
3 B 380 E	37.60	38.00	38.35	E	D-3	3 1/2	1/4	5/8	2 5/8	1/8



**A-B QD SHEAVES**



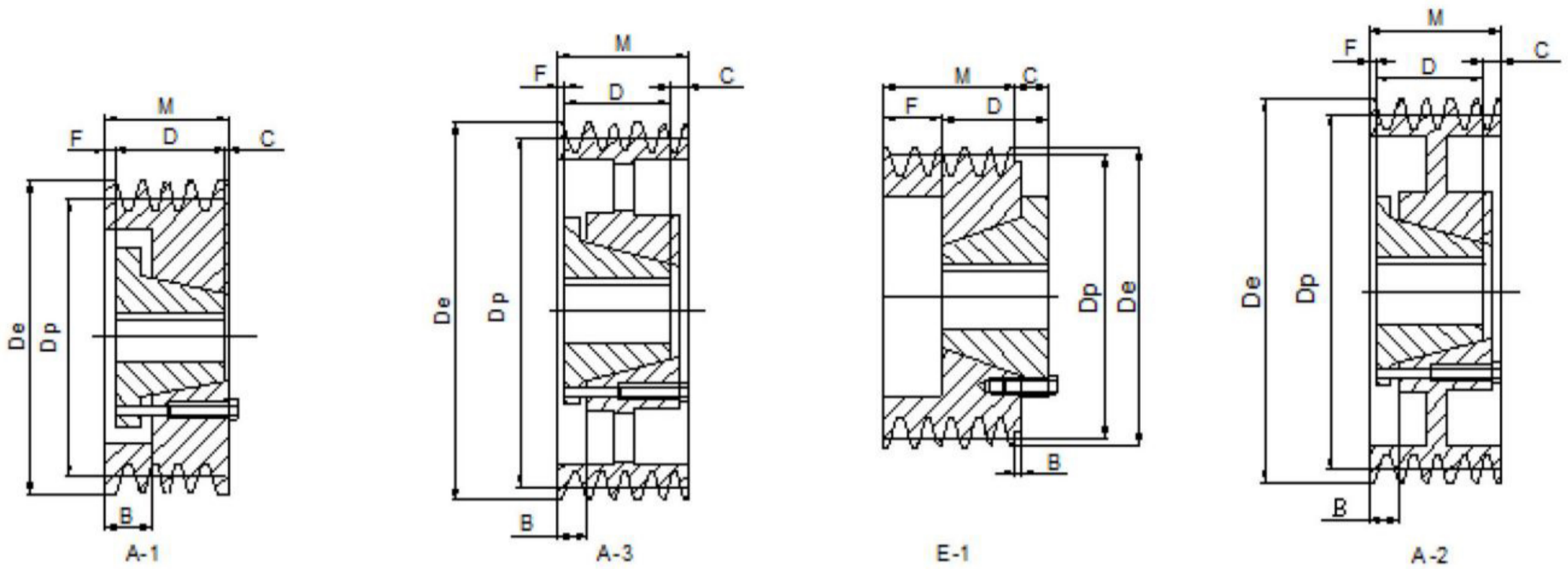
**A/B-4**

**M=3 1/4" (82.55mm)**

SIZE 规格	D.P		De 外径	BUSH	Form 型号	Bush Max Bore 最大孔径	Dimension			
	A	B					F	B	D	C
4 B 34 SD	3.00	3.40	3.75	SD	E-1	2	2 3/8	5/16	1 13/16	15/16
4 B 36 SD	3.20	3.60	3.95	SD	E-1	2	2 3/8	5/16	1 13/16	15/16
4 B 38 SD	3.40	3.80	4.15	SD	E-1	2	2 3/8	5/16	1 13/16	15/16
4 B 40 SD	3.60	4.00	4.35	SD	E-1	2	2 1/16	-	1 13/16	5/8
4 B 42 SD	3.80	4.20	4.55	SD	E-1	2	2 1/16	-	1 13/16	5/8
4 B 44 SD	4.00	4.40	4.75	SD	E-1	2	2 1/16	-	1 13/16	5/8
4 B 46 SD	4.20	4.60	4.95	SD	A-1	2	11/16	1 5/16	1 13/16	3/4
4 B 48 SD	4.40	4.80	5.15	SD	A-1	2	11/16	1 5/16	1 13/16	3/4
4 B 50 SD	4.60	5.00	5.35	SD	A-1	2	11/16	1 5/16	1 13/16	3/4
4 B 52 SD	4.80	5.20	5.55	SD	A-1	2	11/16	1 5/16	1 13/16	3/4
4 B 54 SD	5.00	5.40	5.75	SD	A-1	2	11/16	1 5/16	1 13/16	3/4
4 B 56 SD	5.20	5.60	5.95	SD	A-1	2	11/16	1 5/16	1 13/16	3/4
4 B 58 SD	5.40	5.80	6.15	SD	A-1	2	11/16	1 5/16	1 13/16	3/4
4 B 60 SD	5.60	6.00	6.35	SD	A-1	2	11/16	1 5/16	1 13/16	3/4
4 B 62 SD	5.80	6.20	6.55	SD	A-1	2	11/16	1 5/16	1 13/16	3/4
4 B 64 SD	6.00	6.40	6.75	SD	A-1	2	11/16	1 5/16	1 13/16	3/4
4 B 66 SD	6.20	6.60	6.95	SD	A-1	2	11/16	1 5/16	1 13/16	3/4
4 B 68 SD	6.40	6.80	7.15	SD	A-1	2	11/16	1 5/16	1 13/16	3/4
4 B 70 SK	6.60	7.00	7.35	SK	A-1	2 5/8	5/16	1	1 15/16	1
4 B 74 SK	7.00	7.40	7.75	SK	A-1	2 5/8	5/16	1	1 15/16	1
4 B 80 SK	7.60	8.00	8.35	SK	A-1	2 5/8	5/16	1	1 15/16	1
4 B 86 SK	8.20	8.60	8.95	SK	A-3	2 5/8	5/16	1	1 15/16	1
4 B 94 SK	9.00	9.40	9.75	SK	A-3	2 5/8	5/16	1	1 15/16	1
4 B 110 SK	10.60	11.00	11.35	SK	A-3	2 5/8	5/16	1	1 15/16	1
4 B 124 SK	12.00	12.40	12.75	SK	A-3	2 5/8	5/16	1	1 15/16	1
4 B 136 SK	13.20	13.60	13.95	SK	A-3	2 5/8	5/16	1	1 15/16	1
4 B 154 SF	15.00	15.40	15.75	SF	A-3	2 5/16	5/16	1	2 1/16	7/8
4 B 160 SF	15.60	16.00	16.35	SF	A-3	2 5/16	5/16	1	2 1/16	7/8
4 B 184 SF	18.00	18.40	18.75	SF	A-3	2 5/16	5/16	1	2 1/16	7/8
4 B 200 SF	19.60	20.00	20.35	SF	A-3	2 5/16	5/16	1	2 1/16	7/8
4 B 250 E	24.60	25.00	25.35	E	A-3	3 1/2	1/8	1	2 5/8	1/2
4 B 300 E	29.60	30.00	30.35	E	A-3	3 1/2	1/8	1	2 5/8	1/2
4 B 380 E	37.60	38.00	38.35	E	A-3	3 1/2	1/8	1	2 5/8	1/2



**A-B QD SHEAVES**



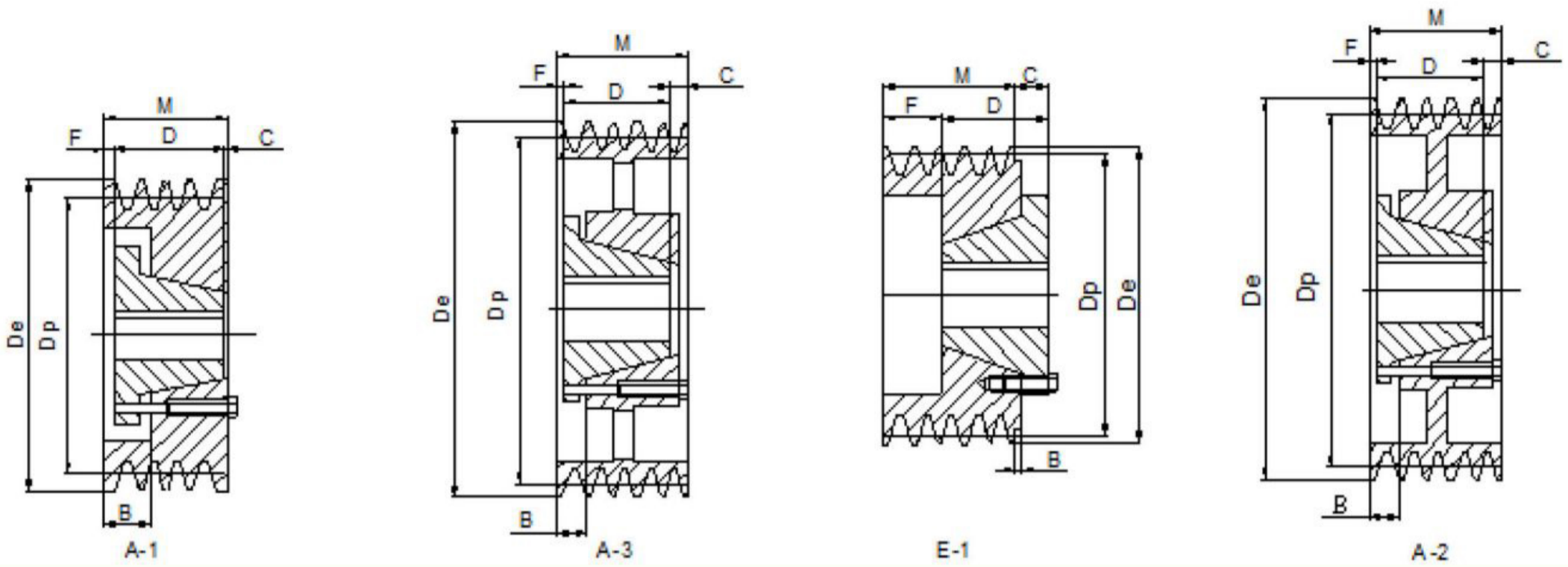
**A/B-5**

**M=4" (101.60mm)**

SIZE 规格	D.P		De 外径	BUSH	Form 型号	Bush Max Bore 最大孔径	Dimension			
	A	B					F	B	D	C
5 B 34 SD	3.00	3.40	3.75	SD	E-1	2	3 1/4	7/16	1 13/16	1 1/16
5 B 36 SD	3.20	3.60	3.95	SD	E-1	2	3 1/4	7/16	1 13/16	1 1/16
5 B 38 SD	3.40	3.80	4.15	SD	E-1	2	3 1/8	5/16	1 13/16	15/16
5 B 40 SD	3.60	4.00	4.35	SD	E-1	2	2 13/16	-	1 13/16	5/8
5 B 42 SD	3.80	4.20	4.55	SD	E-1	2	2 13/16	-	1 13/16	5/8
5 B 44 SD	4.00	4.40	4.75	SD	E-1	2	2 13/16	-	1 13/16	5/8
5 B 46 SD	4.20	4.60	4.95	SD	A-1	2	11/16	1 5/16	1 13/16	1 1/2
5 B 48 SD	4.40	4.80	5.15	SD	A-1	2	11/16	1 5/16	1 13/16	1 1/2
5 B 50 SD	4.60	5.00	5.35	SD	A-1	2	11/16	1 5/16	1 13/16	1 1/2
5 B 52 SD	4.80	5.20	5.55	SD	A-1	2	11/16	1 5/16	1 13/16	1 1/2
5 B 54 SK	5.00	5.40	5.75	SK	A-1	2 5/8	5/8	1 5/16	1 15/16	1 7/16
5 B 56 SK	5.20	5.60	5.95	SK	A-1	2 5/8	5/8	1 5/16	1 15/16	1 7/16
5 B 58 SK	5.40	5.80	6.15	SK	A-1	2 5/8	5/8	1 5/16	1 15/16	1 7/16
5 B 60 SK	5.60	6.00	6.35	SK	A-1	2 5/8	5/8	1 5/16	1 15/16	1 7/16
5 B 62 SK	5.80	6.20	6.55	SK	A-1	2 5/8	5/8	1 5/16	1 15/16	1 7/16
5 B 64 SK	6.00	6.40	6.75	SK	A-1	2 5/8	5/8	1 5/16	1 15/16	1 7/16
5 B 66 SK	6.20	6.60	6.95	SK	A-1	2 5/8	5/8	1 5/16	1 15/16	1 7/16
5 B 68 SK	6.40	6.80	7.15	SK	A-1	2 5/8	5/8	1 5/16	1 15/16	1 7/16
5 B 70 SF	6.60	7.00	7.35	SF	A-1	2 15/16	5/8	1 5/16	2 1/16	1 5/16
5 B 74 SF	7.00	7.40	7.75	SF	A-1	2 15/16	5/8	1 5/16	2 1/16	1 5/16
5 B 80 SF	7.60	8.00	8.35	SF	A-1	2 15/16	5/8	1 5/16	2 1/16	1 5/16
5 B 86 SF	8.20	8.60	8.95	SF	A-2	2 15/16	5/8	1 5/16	2 1/16	1 5/16
5 B 94 SF	9.00	9.40	9.75	SF	A-2	2 15/16	5/8	1 5/16	2 1/16	1 5/16
5 B 110 SF	10.60	11.00	11.35	SF	A-2	2 15/16	5/8	1 5/16	2 1/16	1 5/16
5 B 124 SF	12.00	12.40	12.75	SF	A-3	2 15/16	5/8	1 5/16	2 1/16	1 5/16
5 B 136 SF	13.20	13.60	13.95	SF	A-3	2 15/16	5/8	1 5/16	2 1/16	1 5/16
5 B 154 SF	15.00	15.40	15.75	SF	A-3	2 15/16	5/8	1 5/16	2 1/16	1 5/16
5 B 160 SF	15.60	16.00	16.35	SF	A-3	2 15/16	5/8	1 5/16	2 1/16	1 5/16
5 B 184 SF	18.00	18.40	18.75	SF	A-3	2 15/16	5/8	1 5/16	2 1/16	1 5/16
5 B 200 E	19.60	20.00	20.35	E	A-3	3 1/2	3/8	1 1/4	2 5/8	1
5 B 250 E	24.60	25.00	25.35	E	A-3	3 1/2	3/8	1 1/4	2 5/8	1
5 B 300 E	29.60	30.00	30.35	E	A-3	3 1/2	3/8	1 1/4	2 5/8	1
5 B 380 E	37.60	38.00	38.35	E	A-3	3 1/2	3/8	1 1/4	2 5/8	1



**A-B QD SHEAVES**



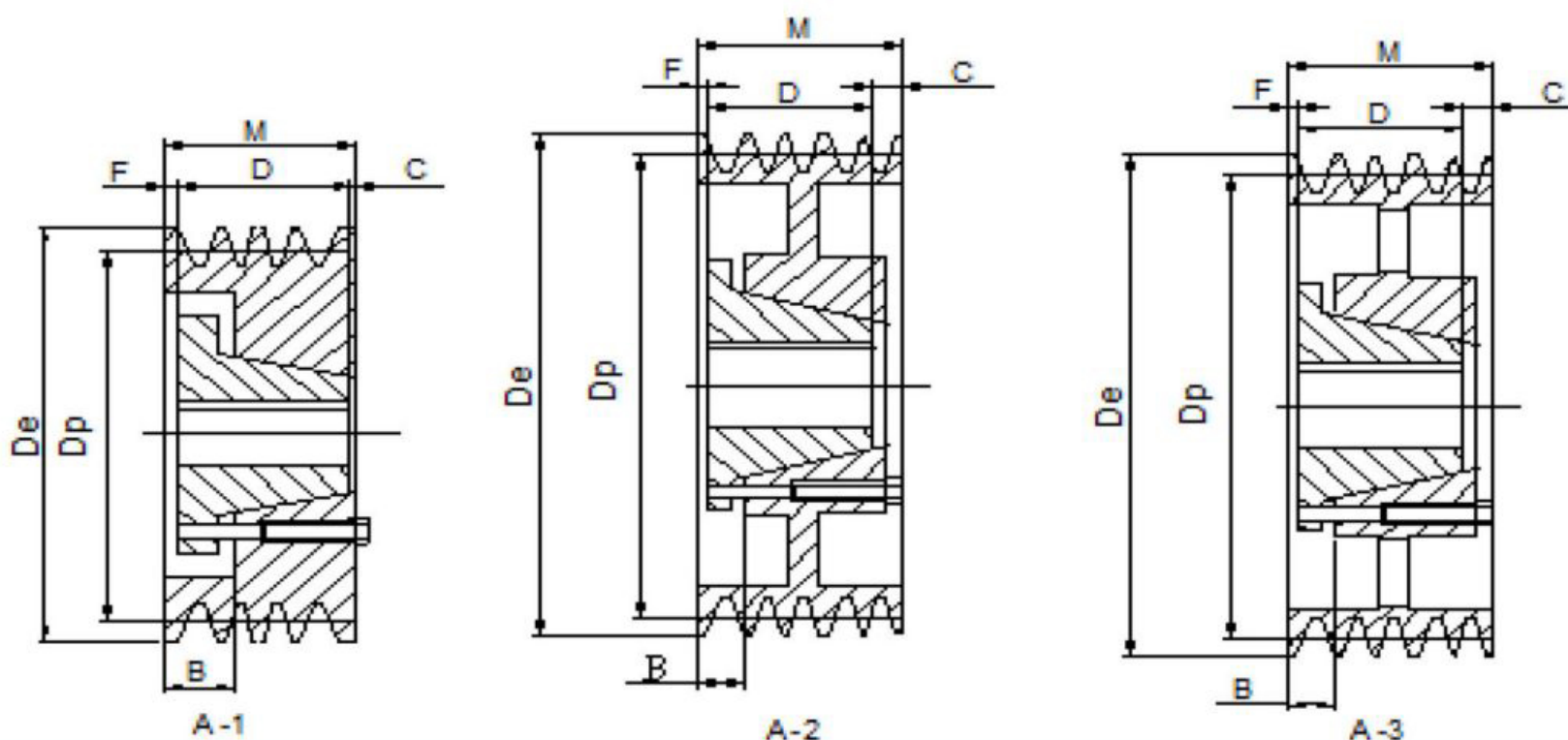
**A/B-6**

**M=4 3/4" (120.65mm)**

SIZE 规格	D.P		De 外径	BUSH	Form 型号	Bush Max Bore 最大孔径	Dimension			
	A	B					F	B	D	C
6 B 34 SD	3.00	3.40	3.75	SD	E-1	2	3 7/8	5/16	1 13/16	15/16
6 B 36 SD	3.20	3.60	3.95	SD	E-1	2	3 7/8	5/16	1 13/16	13/16
6 B 38 SD	3.40	3.80	4.15	SD	E-1	2	3 7/8	5/16	1 13/16	13/16
6 B 40 SD	3.60	4.00	4.35	SD	E-1	2	3 9/16	-	1 13/16	5/8
6 B 42 SD	3.80	4.20	4.55	SD	E-1	2	3 9/16	-	1 13/16	5/8
6 B 44 SD	4.00	4.40	4.75	SD	E-1	2	3 9/16	-	1 13/16	5/8
6 B 46 SD	4.20	4.60	4.95	SD	A-1	2	9/16	1 3/16	1 13/16	2 3/8
6 B 48 SD	4.40	4.80	5.15	SD	A-1	2	2 1/4	1 3/16	1 13/16	2 3/8
6 B 50 SD	4.60	5.00	5.35	SD	A-1	2	2 1/4	1 3/16	1 13/16	2 3/8
6 B 52 SD	4.80	5.20	5.55	SD	A-1	2	2 1/4	1 3/16	1 13/16	2 3/8
6 B 54 SK	5.00	5.40	5.75	SK	A-1	2 5/8	5/8	1 5/16	1 15/16	2 3/16
6 B 56 SK	5.20	5.60	5.95	SK	A-1	2 5/8	5/8	1 5/16	1 15/16	2 3/16
6 B 58 SK	5.40	5.80	6.15	SK	A-1	2 5/8	5/8	1 5/16	1 15/16	2 3/16
6 B 60 SK	5.60	6.00	6.35	SK	A-1	2 5/8	5/8	1 5/16	1 15/16	2 3/16
6 B 62 SK	5.80	6.20	6.55	SK	A-1	2 5/8	5/8	1 5/16	1 15/16	2 3/16
6 B 64 SK	6.00	6.40	6.75	SK	A-1	2 5/8	5/8	1 5/16	1 15/16	2 3/16
6 B 66 SK	6.20	6.60	6.95	SK	A-1	2 5/8	5/8	1 5/16	1 15/16	2 3/16
6 B 68 SK	6.40	6.80	7.15	SK	A-1	2 5/8	5/8	1 5/16	1 15/16	2 3/16
6 B 70 SF	6.60	7.00	7.35	SF	A-1	2 15/16	1	1 11/16	2 1/16	1 11/16
6 B 74 SF	7.00	7.40	7.75	SF	A-1	2 15/16	1	1 11/16	2 1/16	1 11/16
6 B 80 SF	7.60	8.00	8.35	SF	A-1	2 15/16	1	1 11/16	2 1/16	1 11/16
6 B 86 SF	8.20	8.60	8.95	SF	A-2	2 15/16	1	1 11/16	2 1/16	1 11/16
6 B 94 SF	9.00	9.40	9.75	SF	A-2	2 15/16	1	1 11/16	2 1/16	1 11/16
6 B 110 SF	10.60	11.00	11.35	SF	A-2	2 15/16	1	1 11/16	2 1/16	1 11/16
6 B 124 SF	12.00	12.40	12.75	SF	A-3	2 15/16	1	1 11/16	2 1/16	1 11/16
6 B 136 SF	13.20	13.60	13.95	SF	A-3	2 15/16	1	1 11/16	2 1/16	1 11/16
6 B 154 SF	15.00	15.40	15.75	SF	A-3	2 15/16	1	1 11/16	2 1/16	1 11/16
6 B 160 SF	15.60	16.00	16.35	SF	A-3	2 15/16	1	1 11/16	2 1/16	1 11/16
6 B 184 SF	18.00	18.40	18.75	SF	A-3	2 15/16	1	1 11/16	2 1/16	1 11/16
6 B 200 E	19.60	20.00	20.35	E	A-3	3 1/2	1/2	1 3/8	2 5/8	1 5/8
6 B 250 E	24.60	25.00	25.35	E	A-3	3 1/2	1/2	1 3/8	2 5/8	1 5/8
6 B 300 E	29.60	30.00	30.35	E	A-3	3 1/2	1/2	1 3/8	2 5/8	1 5/8
6 B 380 E	37.60	38.00	38.35	E	A-3	3 1/2	1/2	1 3/8	2 5/8	1 5/8



**A-B QD SHEAVES**



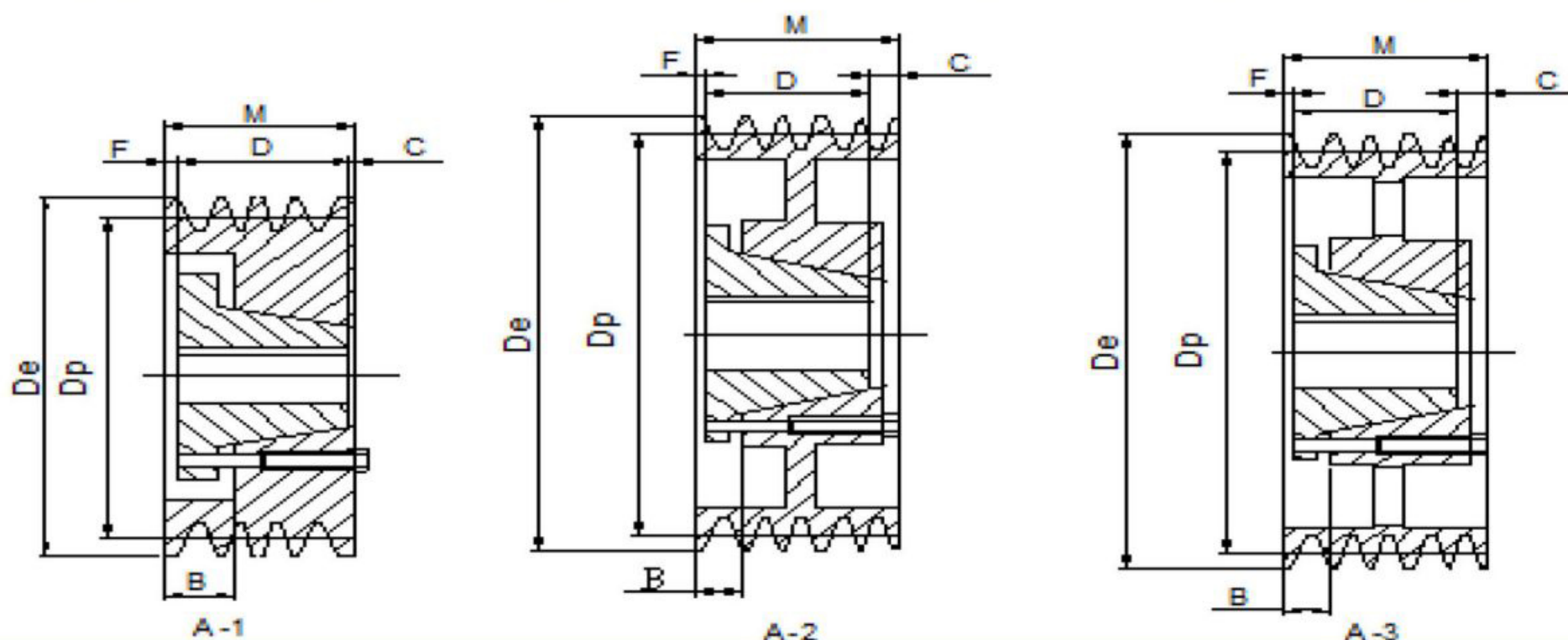
**A/B-8**

**M=6 1/4" (158.75mm)**

SIZE 规格	D.P		De 外径	BUSH	Form 型号	Bush Max Bore 最大孔径	Dimension			
	A	B					F	B	D	C
8 B 54 SK	5.00	5.40	5.75	SK	A-1	2 5/8	1 1/8	1 13/16	1 15/16	3 3/16
8 B 56 SK	5.20	5.60	5.95	SK	A-1	2 5/8	1 1/8	1 13/16	1 15/16	3 3/16
8 B 58 SK	5.40	5.80	6.15	SK	A-1	2 5/8	1 1/8	1 13/16	1 15/16	3 3/16
8 B 60 SF	5.60	6.00	6.35	SF	A-1	2 15/16	1 1/8	1 13/16	2 1/16	3 1/16
8 B 62 SF	5.80	6.20	6.55	SF	A-1	2 15/16	1 1/8	1 13/16	2 1/16	3 1/16
8 B 64 SF	6.00	6.40	6.75	SF	A-1	2 15/16	1 1/8	1 13/16	2 1/16	3 1/16
8 B 66 SF	6.20	6.60	6.95	SF	A-1	2 15/16	1 1/8	1 13/16	2 1/16	3 1/16
8 B 68 SF	6.40	6.80	7.15	SF	A-1	2 15/16	1 1/8	1 13/16	2 1/16	3 1/16
8 B 70 SF	6.60	7.00	7.35	SF	A-1	2 15/16	1 1/8	1 13/16	2 1/16	3 1/16
8 B 74 SF	7.00	7.40	7.75	SF	A-1	2 15/16	1 1/8	1 13/16	2 1/16	3 1/16
8 B 80 SF	7.60	8.00	8.35	SF	A-1	2 15/16	1 1/8	1 13/16	2 1/16	3 1/16
8 B 86 E	8.20	8.60	8.95	E	A-1	3 1/2	1 1/2	2 3/8	2 5/8	2 1/8
8 B 94 E	9.00	9.40	9.75	E	A-1	3 1/2	1 1/2	2 3/8	2 5/8	2 1/8
8 B 110 E	10.60	11.00	11.35	E	A-2	3 1/2	1 1/2	2 3/8	2 5/8	2 1/8
8 B 124 E	12.00	12.40	12.75	E	A-3	3 1/2	1 1/2	2 3/8	2 5/8	2 1/8
8 B 136 E	13.20	13.60	13.95	E	A-3	3 1/2	1 1/2	2 3/8	2 5/8	2 1/8
8 B 154 E	15.00	15.40	15.75	E	A-3	3 1/2	1 1/2	2 3/8	2 5/8	2 1/8
8 B 160 E	15.60	16.00	16.35	E	A-3	3 1/2	1 1/2	2 3/8	2 5/8	2 1/8
8 B 184 F	18.00	18.40	18.75	F	A-3	3 15/16	5/16	1 5/16	3 5/8	2 5/16
8 B 200 F	19.60	20.00	20.35	F	A-3	3 15/16	5/16	1 5/16	3 5/8	2 5/16
8 B 250 F	24.60	25.00	25.35	F	A-3	3 15/16	5/16	1 5/16	3 5/8	2 5/16
8 B 300 F	29.60	30.00	30.35	F	A-3	3 15/16	5/16	1 5/16	3 5/8	2 5/16
8 B 380 F	37.60	38.00	38.35	F	A-3	3 15/16	5/16	1 5/16	3 5/8	2 5/16



**A-B QD SHEAVES**



**A/B-10**

**M=7 3/4" (196.85mm)**

SIZE 规格	D.P		De 外径	BUSH	Form 型号	Bush Max Bore 最大孔径	Dimension			
	A	B					F	B	D	C
10 B 54 SK	5.00	5.40	5.75	SK	A-1	2 5/8	1 7/8	2 9/16	1 15/16	3 15/16
10 B 56 SK	5.20	5.60	5.95	SK	A-1	2 5/8	1 7/8	2 9/16	1 15/16	3 15/16
10 B 58 SK	5.40	5.80	6.15	SK	A-1	2 5/8	1 7/8	2 9/16	1 15/16	3 15/16
10 B 60 SF	5.60	6.00	6.35	SF	A-1	2 15/16	1 7/8	2 9/16	2 1/16	3 13/16
10 B 62 SF	5.80	6.20	6.55	SF	A-1	2 15/16	1 7/8	2 9/16	2 1/16	3 13/16
10 B 64 SF	6.00	6.40	6.75	SF	A-1	2 15/16	1 7/8	2 9/16	2 1/16	3 13/16
10 B 66 SF	6.20	6.60	6.95	SF	A-1	2 15/16	1 7/8	2 9/16	2 1/16	3 13/16
10 B 68 SF	6.40	6.80	7.15	SF	A-1	2 15/16	1 7/8	2 9/16	2 1/16	3 13/16
10 B 70 SF	6.60	7.00	7.35	SF	A-1	2 15/16	1 7/8	2 9/16	2 1/16	3 13/16
10 B 74 SF	7.00	7.40	7.75	SF	A-1	2 15/16	1 7/8	2 9/16	2 1/16	3 13/16
10 B 80 SF	7.60	8.00	8.35	SF	A-1	2 15/16	1 7/8	2 9/16	2 1/16	3 13/16
10 B 86 E	8.20	8.60	8.95	E	A-1	3 1/2	2 1/4	3 1/8	2 5/8	2 7/8
10 B 94 E	9.00	9.40	9.75	E	A-1	3 1/2	2 1/4	3 1/8	2 5/8	2 7/8
10 B 110 E	10.60	11.00	11.35	E	A-2	3 1/2	2 1/4	3 1/8	2 5/8	2 7/8
10 B 124 E	12.00	12.40	12.75	E	A-3	3 1/2	2 1/4	3 1/8	2 5/8	2 7/8
10 B 136 F	13.20	13.60	13.95	F	A-3	3 15/16	1 1/16	2 1/16	3 5/8	3 1/16
10 B 154 F	15.00	15.40	15.75	F	A-3	3 15/16	1 1/16	2 1/16	3 5/8	3 1/16
10 B 160 F	15.60	16.00	16.35	F	A-3	3 15/16	1 1/16	2 1/16	3 5/8	3 1/16
10 B 184 F	18.00	18.40	18.75	F	A-3	3 15/16	1 1/16	2 1/16	3 5/8	3 1/16
10 B 200 F	19.60	20.00	20.35	F	A-3	3 15/16	1 1/16	2 1/16	3 5/8	3 1/16
10 B 250 F	24.60	25.00	25.35	F	A-3	3 15/16	1 1/16	2 1/16	3 5/8	3 1/16
10 B 300 F	29.60	30.00	30.35	F	A-3	3 15/16	1 1/16	2 1/16	3 5/8	3 1/16
10 B 380 J	37.60	38.00	38.35	J	A-3	4 1/2	3/8	1 9/16	2 7/8	2 7/8