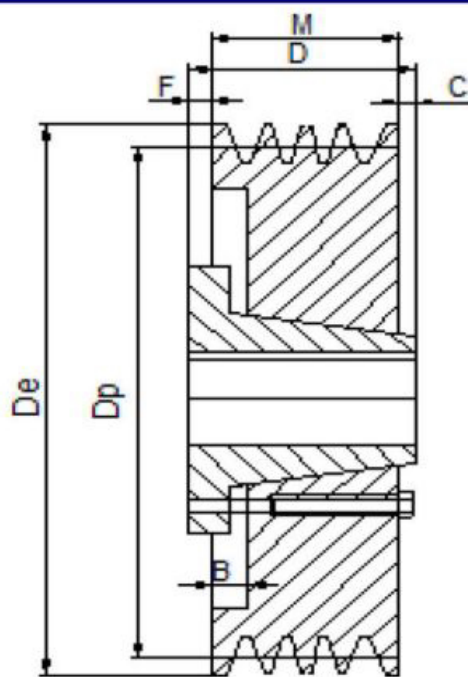
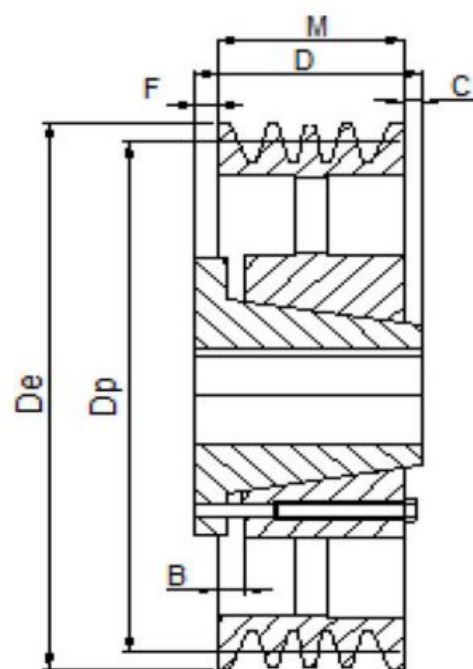




C QD SHEAVES



C-1



C-3

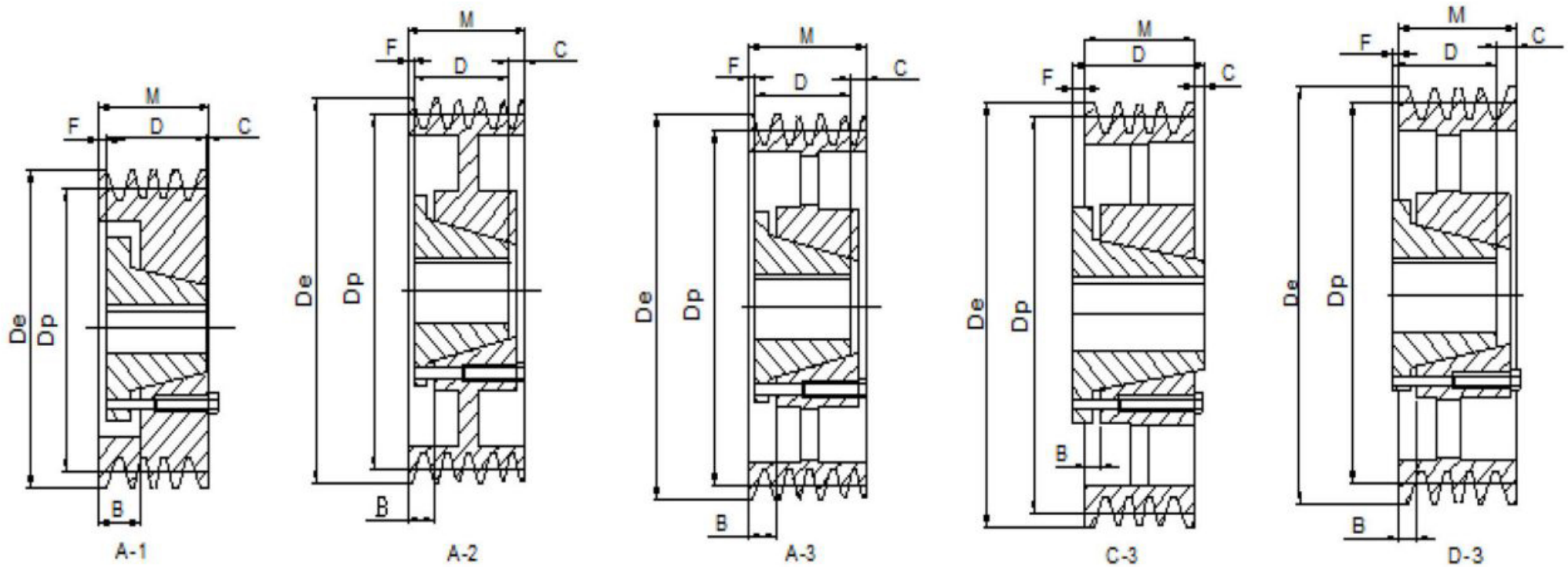
C-1

M=1 3/8" (34.93mm)

SIZE 规格	De 外径	Dp 节径	Bush Max Bore 最大孔径	Bush	Form 型号	Dimension				
						Di	F	B	D	C
1 C 60 SK	6.40	6.00	2 5/8	SK	C-1	-	9/16	1/8	1 15/16	-
1 C 70 SF	7.40	7.00	2 15/16	SF	C-1	-	9/16	1/8	2 1/16	1/8
1 C 75 SF	7.90	7.50	2 15/16	SF	C-1	-	9/16	1/8	2 1/16	1/8
1 C 80 SF	8.40	8.00	2 15/16	SF	C-1	-	9/16	1/8	2 1/16	1/8
1 C 85 SF	8.90	8.50	2 15/16	SF	C-1	-	9/16	1/8	2 1/16	1/8
1 C 90 SF	9.40	9.00	2 15/16	SF	C-2	5	9/16	1/8	2 1/16	1/8
1 C 95 SF	9.90	9.50	2 15/16	SF	C-3	5	9/16	1/8	2 1/16	1/8
1 C 100 SF	10.40	10.00	2 15/16	SF	C-3	5	9/16	1/8	2 1/16	1/8
1 C 105 SF	10.90	10.50	2 15/16	SF	C-3	5	9/16	1/8	2 1/16	1/8
1 C 110 SF	11.40	11.00	2 15/16	SF	C-3	5	9/16	1/8	2 1/16	1/8
1 C 120 SF	12.40	12.00	2 15/16	SF	C-3	5	9/16	1/8	2 1/16	1/8
1 C 130 SF	13.40	13.00	2 15/16	SF	C-3	5	9/16	1/8	2 1/16	1/8
1 C 140 SF	14.40	14.00	2 15/16	SF	C-3	5	9/16	1/8	2 1/16	1/8
1 C 150 SF	15.40	15.00	2 15/16	SF	C-3	5	9/16	1/8	2 1/16	1/8
1 C 160 SF	16.40	16.00	2 15/16	SF	C-3	5	9/16	1/8	2 1/16	1/8
1 C 180 SF	18.40	18.00	2 15/16	SF	C-3	5	9/16	1/8	2 1/16	1/8
1 C 200 SF	20.40	20.00	2 15/16	SF	C-3	5	9/16	1/8	2 1/16	1/8
1 C 240 SF	24.40	24.00	2 15/16	SF	C-3	5	9/16	1/8	2 1/16	1/8



C QD SHEAVES



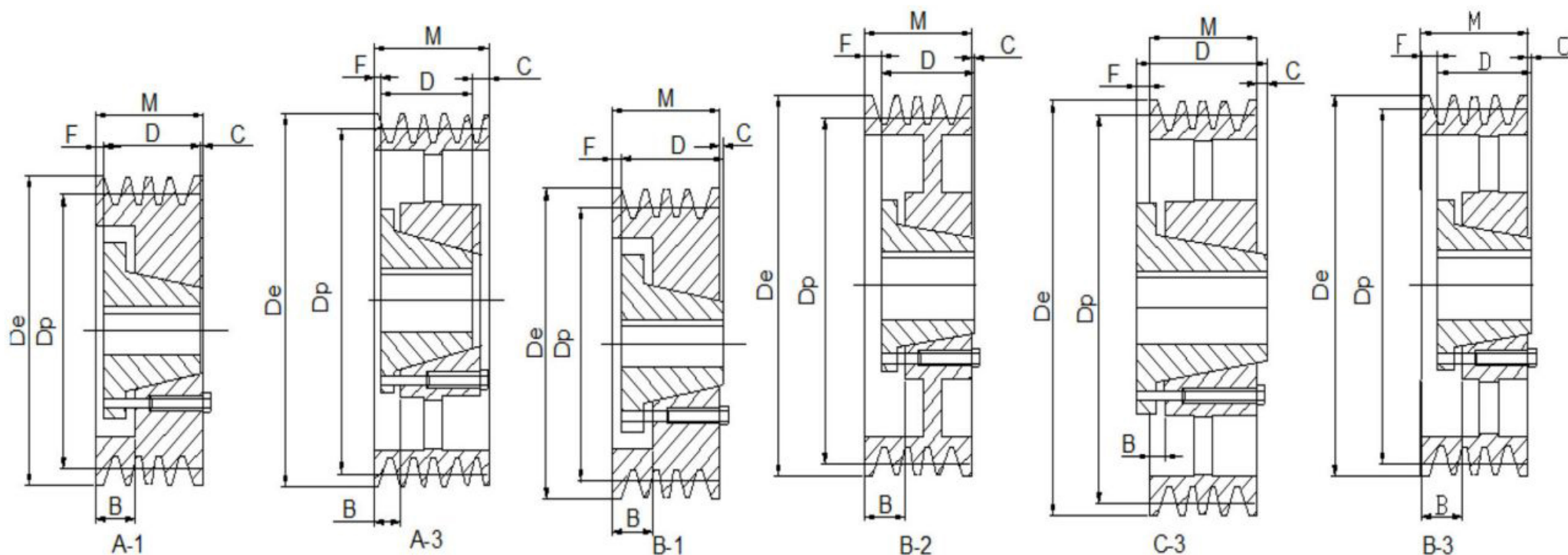
C-2

M=2 3/8" (60.33mm)

SIZE 规格	De 外径	Dp 节径	Bush Max Bore 最大孔径	Bush	Form 型号	Dimension				
						Di	F	B	D	C
2 C 60 SK	6.40	6.00	2.63	SK	A-1	-	0.19	0.88	1.94	0.13
2 C 70 SF	7.40	7.00	2.94	SF	A-1	-	0.13	13/16	2.06	0.19
2 C 75 SF	7.90	7.50	2.94	SF	A-1	-	0.13	13/16	2.06	0.19
2 C 80 SF	8.40	8.00	2.94	SF	A-1	-	0.13	13/16	2.06	0.19
2 C 85 SF	8.90	8.50	2.94	SF	A-2	5.00	0.13	13/16	2.06	0.19
2 C 90 SF	9.40	9.00	2.94	SF	A-2	5.00	0.13	13/16	2.06	0.19
2 C 95 SF	9.90	9.50	2.94	SF	A-2	5.00	0.13	13/16	2.06	0.19
2 C 100 SF	10.40	10.00	2.94	SF	A-2	5.00	0.13	13/16	2.06	0.19
2 C 105 SF	10.90	10.50	2.94	SF	A-2	5.00	0.13	13/16	2.06	0.19
2 C 110 SF	11.40	11.00	2.94	SF	A-3	5.00	0.13	13/16	2.06	0.19
2 C 120 SF	12.40	12.00	2.94	SF	D-3	5.00	0.13	0.56	2.06	0.44
2 C 130 SF	13.40	13.00	2.94	SF	D-3	5.00	0.13	0.56	2.06	0.44
2 C 140 SF	14.40	14.00	2.94	SF	D-3	5.00	0.13	0.56	2.06	0.44
2 C 150 SF	15.40	15.00	2.94	SF	D-3	5.00	0.13	0.56	2.06	0.44
2 C 160 SF	16.40	16.00	2.94	SF	D-3	5.00	0.13	0.56	2.06	0.44
2 C 180 SF	18.40	18.00	2.94	SF	D-3	5.00	0.13	0.56	2.06	0.44
2 C 200 SF	20.40	20.00	2.94	SF	D-3	5.00	0.13	0.56	2.06	0.44
2 C 240 SF	24.40	24.00	2.94	SF	D-3	5.00	0.13	0.56	2.06	0.44
2 C 270 F	27.40	27.00	3.94	F	C-3	7.00	0.69	0.31	3.63	0.56
2 C 300 F	30.40	30.00	3.94	F	C-3	7.00	0.69	0.31	3.63	0.56



C QD SHEAVES

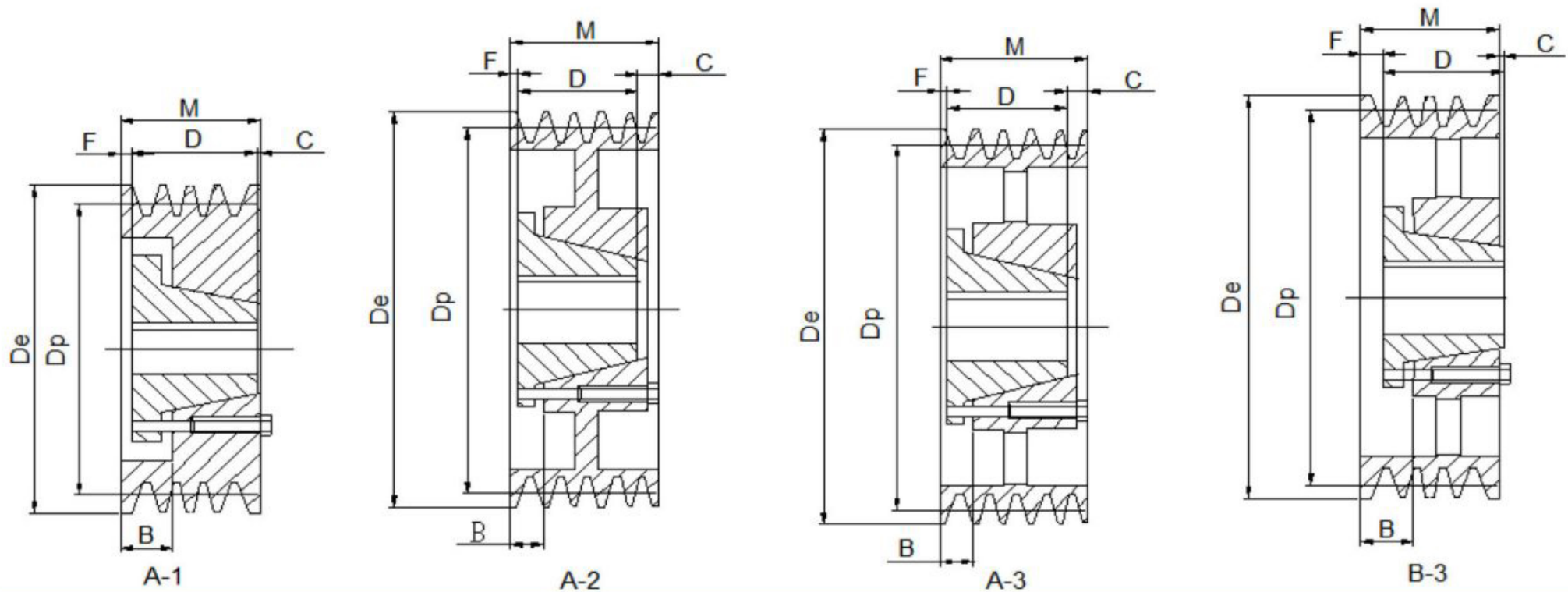


C-3 M=3 3/8" (85.73mm)

SIZE 规格	De 外径	Dp 节径	Bush Max Bore 最大孔径	Bush	Form 型号	Dimension				
						Di	F	B	D	C
3 C 50 SD	5.40	5.00	2	SD	A-1	-	5/8	1 1/4	1 13/16	15/16
3 C 54 SD	5.80	5.40	2	SD	A-1	-	11/16	1 5/16	1 13/16	7/8
3 C 55 SD	5.90	5.50	2	SD	A-1	-	11/16	1 5/16	1 13/16	7/8
3 C 56 SD	6.00	5.60	2	SD	A-1	-	11/16	1 5/16	1 13/16	7/8
3 C 60 SK	6.40	6.00	2 5/8	SK	A-1	-	3/16	7/8	1 15/16	1 1/8
3 C 70 SF	7.40	7.00	2 15/16	SF	A-1	-	5/8	1 5/16	2 1/16	11/16
3 C 75 SF	7.90	7.50	2 15/16	SF	A-1	-	5/8	1 5/16	2 1/16	11/16
3 C 80 E	8.40	8.00	3 1/2	E	B-1	-	7/8	1 3/4	2 5/8	1/8
3 C 85 E	8.90	8.50	3 1/2	E	B-1	-	7/8	1 3/4	2 5/8	1/8
3 C 90 E	9.40	9.00	3 1/2	E	B-1	-	7/8	1 3/4	2 5/8	1/8
3 C 95 E	9.90	9.50	3 1/2	E	B-1	-	7/8	1 3/4	2 5/8	1/8
3 C 100 E	10.40	10.00	3 1/2	E	B-2	6 1/4	7/8	1 3/4	2 5/8	1/8
3 C 105 E	10.90	10.50	3 1/2	E	B-2	6 1/4	7/8	1 3/4	2 5/8	1/8
3 C 110 E	11.40	11.00	3 1/2	E	B-2	6 1/4	7/8	1 3/4	2 5/8	1/8
3 C 120 E	12.40	12.00	3 1/2	E	B-3	6 1/4	7/8	1 3/4	2 5/8	1/8
3 C 130 E	13.40	13.00	3 1/2	E	B-3	6 1/4	7/8	1 3/4	2 5/8	1/8
3 C 140 E	14.40	14.00	3 1/2	E	B-3	6 1/4	7/8	1 3/4	2 5/8	1/8
3 C 150 E	15.40	15.00	3 1/2	E	B-3	6 1/4	7/8	1 3/4	2 5/8	1/8
3 C 160 E	16.40	16.00	3 1/2	E	B-3	6 1/4	7/8	1 3/4	2 5/8	1/8
3 C 180 E	18.40	18.00	3 1/2	E	B-3	6 1/4	7/8	1 3/4	2 5/8	1/8
3 C 200 E	20.40	20.00	3 1/2	E	A-3	6 1/4	7/8	1	2 5/8	5/8
3 C 240 E	24.40	24.00	3 1/2	E	A-3	6 1/4	7/8	1	2 5/8	5/8
3 C 270 F	27.40	27.00	3 15/16	F	C-3	7	3/16	13/16	3 5/8	1/16
3 C 300 F	30.40	30.00	3 15/16	F	C-3	7	3/16	13/16	3 5/8	1/16
3 C 360 F	36.40	36.00	3 15/16	F	C-3	7	3/16	13/16	3 5/8	1/16
3 C 440 F	44.40	44.00	3 15/16	F	C-3	7	3/16	13/16	3 5/8	1/16
3 C 500 F	50.40	50.00	3 15/16	F	C-3	7	3/16	13/16	3 5/8	1/16



C QD SHEAVES



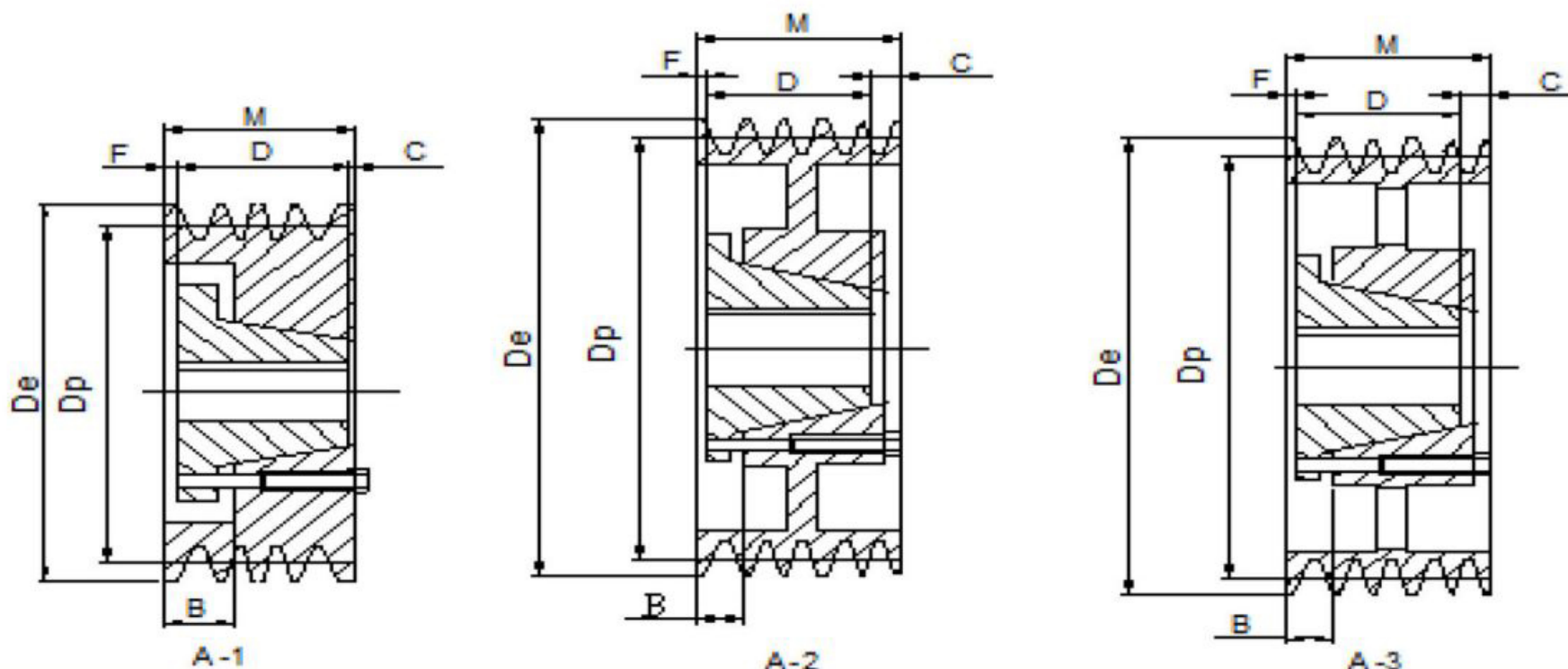
C-4

M=4 3/8" (111.13mm)

SIZE 规格	De 外径	Dp 节径	Bush Max Bore 最大孔径	Bush	Form 型号	Dimension				
						Di	F	B	D	C
4 C 50 SD	5.40	5.00	2	SD	A-1	-	5/8		1 13/16	1 15/16
4 C 54 SD	5.80	5.40	2	SD	A-1	-	11/16	1 5/16	1 13/16	1 7/8
4 C 55 SD	5.90	5.50	2	SD	A-1	-	11/16	1 5/16	1 13/16	1 7/8
4 C 56 SD	6.00	5.60	2	SD	A-1	-	11/16	1 5/16	1 13/16	1 7/8
4 C 60 SK	6.40	6.00	2 5/8	SK	A-1	-	3/16	7/8	1 15/16	2 1/8
4 C 70 SF	7.40	7.00	2 15/16	SF	A-2	5	7/8	1 9/16	2 1/16	1 7/16
4 C 75 SF	7.90	7.50	2 15/16	SF	A-2	5	7/8	1 9/16	2 1/16	1 7/16
4 C 80 E	8.40	8.00	3 1/2	E	A-1	-	1 1/8	2	2 5/8	5/8
4 C 85 E	8.90	8.50	3 1/2	E	A-1	-	1 1/8	2	2 5/8	5/8
4 C 90 E	9.40	9.00	3 1/2	E	A-1	-	1 1/8	2	2 5/8	5/8
4 C 95 E	9.90	9.50	3 1/2	E	A-1	-	1 1/8	2	2 5/8	5/8
4 C 100 E	10.40	10.00	3 1/2	E	A-2	6 1/4	1 1/8	2	2 5/8	5/8
4 C 105 E	10.90	10.50	3 1/2	E	A-2	6 1/4	1 1/8	2	2 5/8	5/8
4 C 110 E	11.40	11.00	3 1/2	E	A-2	6 1/4	1 1/8	2	2 5/8	5/8
4 C 120 E	12.40	12.00	3 1/2	E	A-2	6 1/4	1 1/8	2	2 5/8	5/8
4 C 130 E	13.40	13.00	3 1/2	E	A-3	6 1/4	1 1/8	2	2 5/8	5/8
4 C 140 E	14.40	14.00	3 1/2	E	A-3	6 1/4	1 1/8	2	2 5/8	5/8
4 C 150 E	15.40	15.00	3 1/2	E	A-3	6 1/4	1 1/8	2	2 5/8	5/8
4 C 160 E	16.40	16.00	3 1/2	E	A-3	6 1/4	1 1/8	2	2 5/8	5/8
4 C 180 E	18.40	18.00	3 1/2	E	A-3	6 1/4	1 1/8	2	2 5/8	5/8
4 C 200 E	20.40	20.00	3 1/2	E	A-3	6 1/4	5/8	1 1/2	2 5/8	1 1/8
4 C 240 F	24.40	24.00	3 15/16	F	A-3	7	5/16	1 5/16	3 5/8	7/16
4 C 270 F	27.40	27.00	3 15/16	F	A-3	7	5/16	1 5/16	3 5/8	7/16
4 C 300 F	30.40	30.00	3 15/16	F	A-3	7	5/16	1 5/16	3 5/8	7/16
4 C 360 F	36.40	36.00	3 15/16	F	A-3	7	5/16	1 5/16	3 5/8	7/16
4 C 440 J	44.40	44.00	4 1/2	J	B-3	7 3/4	3/8	1 9/16	4 1/2	1/2
4 C 500 J	50.40	50.00	4 1/2	J	B-3	7 3/4	3/8	1 9/16	4 1/2	1/2



C QD SHEAVES

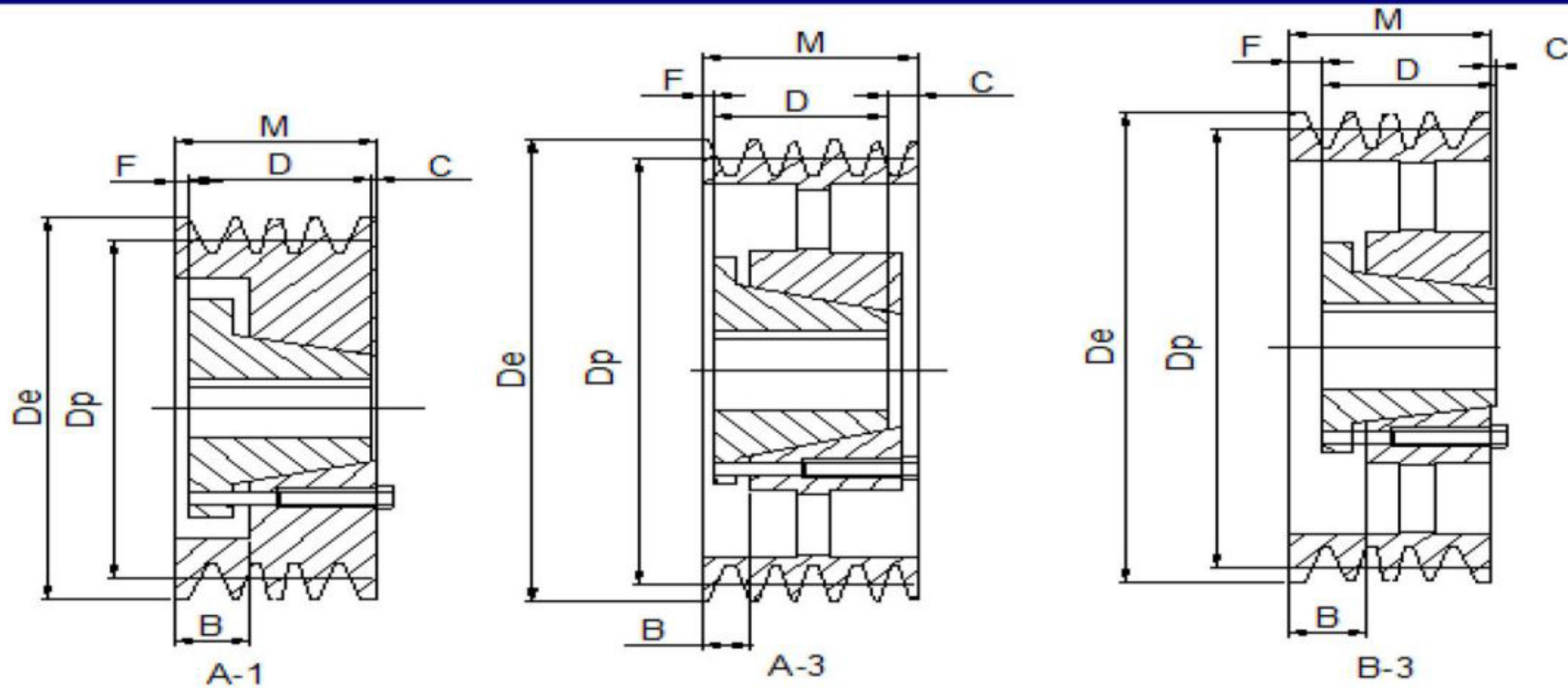


C-5 M=5 3/8" (136.53mm)

SIZE 规格	De 外径	Dp 节径	Bush Max Bore 最大孔径	Bush	Form 型号	Dimension				
						Di	F	B	D	C
5 C 60 SK	6.40	6.00	2 5/8	SK	A-1	-	3/16	7/8	1 15/16	3 1/8
5 C 70 SF	7.40	7.00	2 15/16	SF	A-1	-	1 1/4	1 15/16	2 1/16	2 1/16
5 C 75 SF	7.90	7.50	2 15/16	SF	A-1	-	1 1/4	1 15/16	2 1/16	2 1/16
5 C 80 E	8.40	8.00	3 1/2	E	A-1	-	1 1/2	2 3/8	2 5/8	1 1/4
5 C 85 E	8.90	8.50	3 1/2	E	A-1	-	1 1/2	2 3/8	2 5/8	1 1/4
5 C 90 E	9.40	9.00	3 1/2	E	A-1	-	1 1/2	2 3/8	2 5/8	1 1/4
5 C 95 E	9.90	9.50	3 1/2	E	A-1	-	1 1/2	2 3/8	2 5/8	1 1/4
5 C 100 E	10.40	10.00	3 1/2	E	A-2	6 1/4	1 1/2	2 3/8	2 5/8	1 1/4
5 C 105 E	10.90	10.50	3 1/2	E	A-2	6 1/4	1 1/2	2 3/8	2 5/8	1 1/4
5 C 110 E	11.40	11.00	3 1/2	E	A-2	6 1/4	1 1/2	2 3/8	2 5/8	1 1/4
5 C 120 E	12.40	12.00	3 1/2	E	A-2	6 1/4	1 1/2	2 3/8	2 5/8	1 1/4
5 C 130 E	13.40	13.00	3 1/2	E	A-3	6 1/4	1 1/2	2 3/8	2 5/8	1 1/4
5 C 140 E	14.40	14.00	3 1/2	E	A-3	6 1/4	1 1/2	2 3/8	2 5/8	1 1/4
5 C 150 E	15.40	15.00	3 1/2	E	A-3	6 1/4	1 1/2	2 3/8	2 5/8	1 1/4
5 C 160 E	16.40	16.00	3 1/2	E	A-3	6 1/4	1 1/2	2 3/8	2 5/8	1 1/4
5 C 180 E	18.40	18.00	3 1/2	E	A-3	6 1/4	1 1/2	2 3/8	2 5/8	1 1/4
5 C 200 F	20.40	20.00	3 15/16	F	A-3	7	15/16	1 5/16	3 5/8	1 7/16
5 C 240 F	24.40	24.00	3 15/16	F	A-3	7	15/16	1 5/16	3 5/8	1 7/16
5 C 270 F	27.40	27.00	3 15/16	F	A-3	7	15/16	1 5/16	3 5/8	1 7/16
5 C 300 F	30.40	30.00	3 15/16	F	A-3	7	15/16	1 5/16	3 5/8	1 7/16
5 C 360 J	36.40	36.00	3 15/16	J	A-3	7 3/4	3/8	1 9/16	4 1/2	1/2
5 C 440 J	44.40	44.00	4 1/2	J	A-3	7 3/4	3/8	1 9/16	4 1/2	1/2
5 C 500 J	50.40	50.00	4 1/2	J	A-3	7 3/4	3/8	1 9/16	4 1/2	1/2



C QD SHEAVES



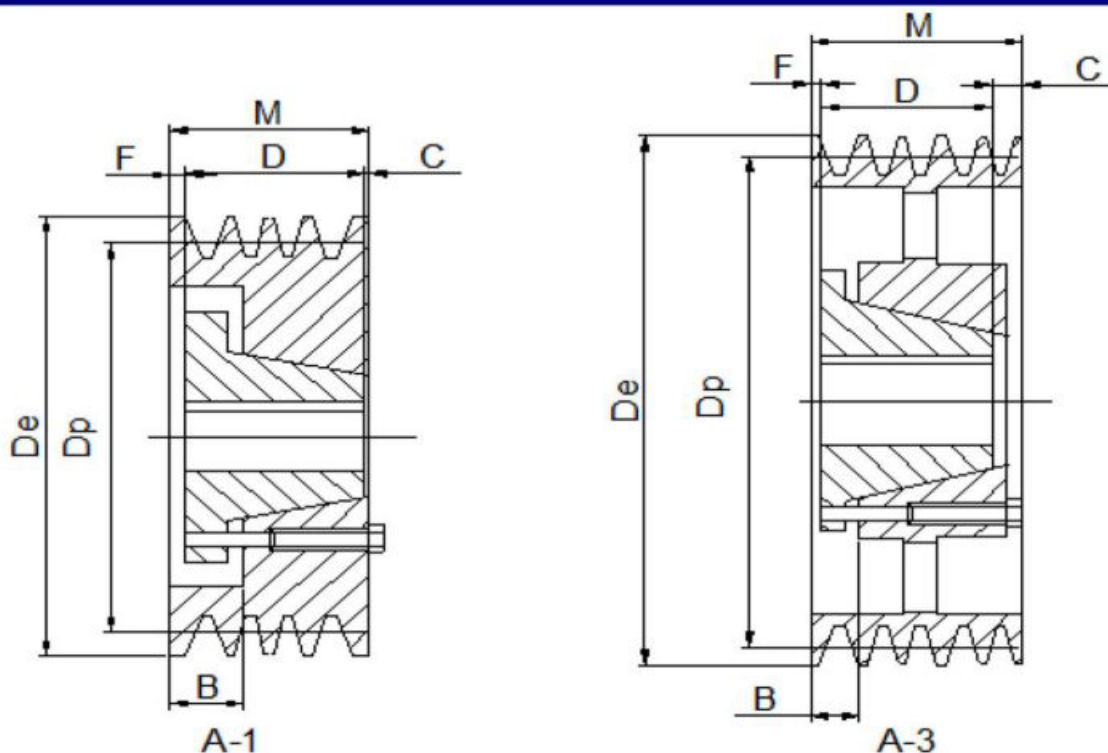
C-6

M=6 3/8" (161.93mm)

SIZE 规格	De 外径	Dp 节径	Bush Max Bore 最大孔径	Bush	Form 型号	Dimension				
						Di	F	B	D	C
6 C 60 SK	6.40	6.00	2 5/8	SK	A-1	-	3/16	7/8	1 15/16	4 1/8
6 C 70 SF	7.40	7.00	2 15/16	SF	A-1	-	1 1/4	1 15/16	2 1/16	3 1/16
6 C 75 SF	7.90	7.50	2 15/16	SF	A-1	-	1 1/4	1 15/16	2 1/16	3 1/16
6 C 80 E	8.40	8.00	3 1/2	E	A-1	-	1 1/2	2 3/8	2 5/8	2 1/4
6 C 85 E	8.90	8.50	3 1/2	E	A-1	-	1 1/2	2 3/8	2 5/8	2 1/4
6 C 90 F	9.40	9.00	3 1/2	F	A-1	-	1 7/16	2 7/16	3 5/8	1 5/16
6 C 95 F	9.90	9.50	3 1/2	F	A-1	-	1 7/16	2 7/16	3 5/8	1 5/16
6 C 100 F	10.40	10.00	3 1/2	F	A-1	-	1 7/16	2 7/16	3 5/8	1 5/16
6 C 105 F	10.90	10.50	3 1/2	F	A-1	-	1 7/16	2 7/16	3 5/8	1 5/16
6 C 110 F	11.40	11.00	3 1/2	F	A-1	-	1 7/16	2 7/16	3 5/8	1 5/16
6 C 120 F	12.40	12.00	3 1/2	F	A-3	7	1 7/16	2 7/16	3 5/8	1 5/16
6 C 130 F	13.40	13.00	3 1/2	F	A-3	7	1 7/16	2 7/16	3 5/8	1 5/16
6 C 140 F	14.40	14.00	3 1/2	F	A-3	7	1 7/16	2 7/16	3 5/8	1 5/16
6 C 150 F	15.40	15.00	3 1/2	F	A-3	7	1 7/16	2 7/16	3 5/8	1 5/16
6 C 160 F	16.40	16.00	3 1/2	F	A-3	7	1 7/16	2 7/16	3 5/8	1 5/16
6 C 180 F	18.40	18.00	3 1/2	F	A-3	7	1 7/16	2 7/16	3 5/8	1 5/16
6 C 200 F	20.40	20.00	3 15/16	F	A-3	7	15/16	1 15/16	3 5/8	1 13/16
6 C 240 F	24.40	24.00	3 15/16	F	A-3	7	15/16	1 15/16	3 5/8	1 13/16
6 C 270 J	27.40	27.00	3 15/16	J	A-3	7 3/4	3/8	1 9/16	4 1/2	1 1/2
6 C 300 J	30.40	30.00	3 15/16	J	A-3	7 3/4	3/8	1 9/16	4 1/2	1 1/2
6 C 360 J	36.40	36.00	3 15/16	J	A-3	7 3/4	3/8	1 9/16	4 1/2	1 1/2
6 C 440 J	44.40	44.00	4 1/2	J	A-3	7 3/4	3/8	1 9/16	4 1/2	1 1/2
6 C 500 M	50.40	50.00	4 1/2	M	B-3	9 1/2	1/2	1 15/16	6 3/4	7/8



C QD SHEAVES



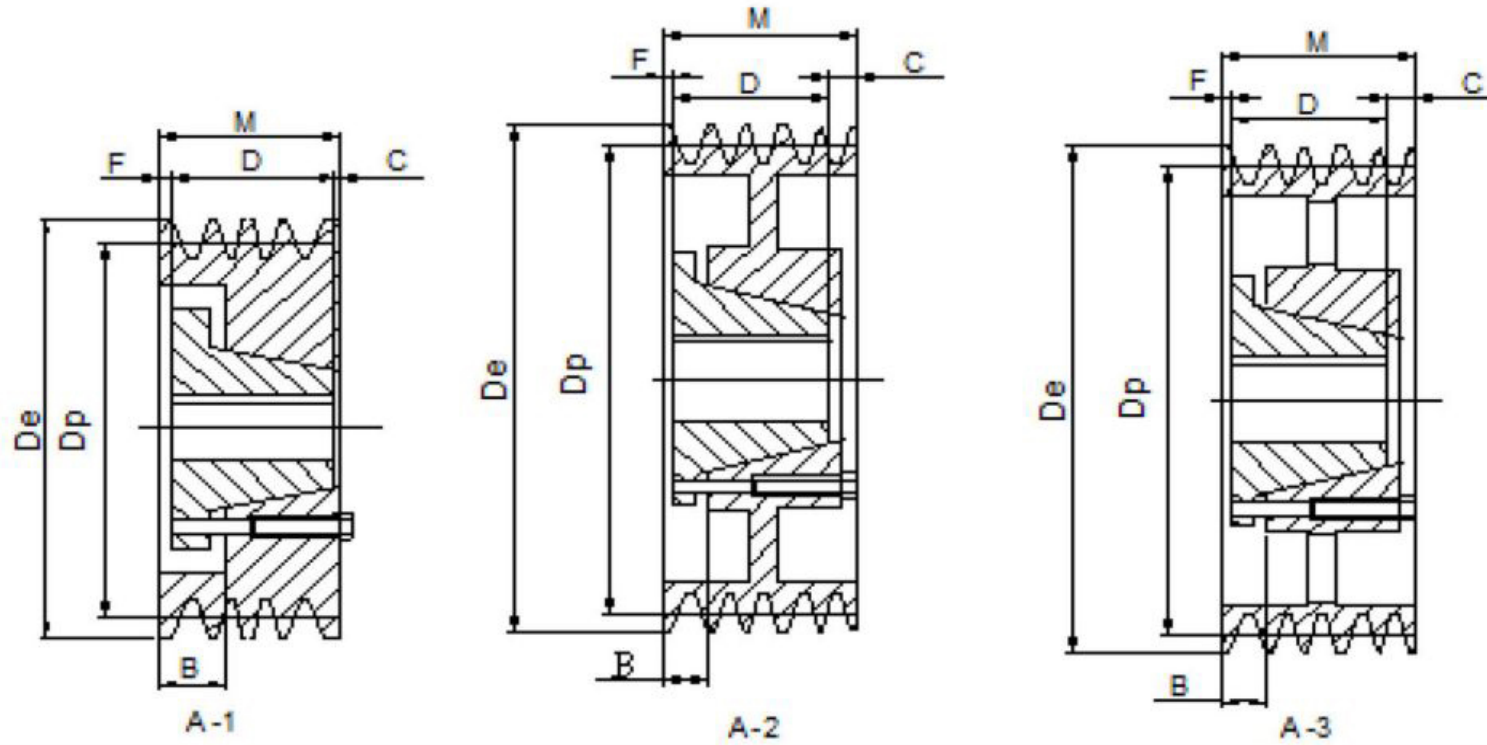
C-8

M=8 3/8" (212.73mm)

SIZE 规格	De 外径	Dp 节径	Bush Max Bore 最大孔径	Bush	Form 型号	Dimension				
						Di	F	B	D	C
8 C 70 SF	7.40	7.00	2 15/16	SF	A-1	-	2 5/16	3	2 1/16	4
8 C 75 SF	7.90	7.50	2 15/16	E	A-1	-	2 5/16	3	2 1/16	4
8 C 80 E	8.40	8.00	3 1/2	E	A-1	-	2 3/8	3 1/4	2 5/8	3 3/8
8 C 85 E	8.90	8.50	3 1/2	E	A-1	-	2 3/8	3 1/4	2 5/8	3 3/8
8 C 90 F	9.40	9.00	3 15/16	F	A-1	-	2 5/16	3 5/16	3 5/8	2 7/16
8 C 95 F	9.90	9.50	3 15/16	F	A-1	-	2 5/16	3 5/16	3 5/8	2 7/16
8 C 100 F	10.40	10.00	3 15/16	F	A-1	-	2 5/16	3 5/16	3 5/8	2 7/16
8 C 105 F	10.90	10.50	3 15/16	F	A-1	-	2 5/16	3 5/16	3 5/8	2 7/16
8 C 110 F	11.40	11.00	3 15/16	F	A-1	-	2 5/16	3 5/16	3 5/8	2 7/16
8 C 120 F	12.40	12.00	3 15/16	F	A-1	-	2 5/16	3 5/16	3 5/8	2 7/16
8 C 130 F	13.40	13.00	3 15/16	F	A-3	7	2 5/16	3 5/16	3 5/8	2 7/16
8 C 140 F	14.40	14.00	3 15/16	F	A-3	7	2 5/16	3 5/16	3 5/8	2 7/16
8 C 150 F	15.40	15.00	3 15/16	F	A-3	7	2 5/16	3 5/16	3 5/8	2 7/16
8 C 160 F	16.40	16.00	3 15/16	F	A-3	7	2 5/16	3 5/16	3 5/8	2 7/16
8 C 180 F	18.40	18.00	3 15/16	F	A-3	7	2 5/16	3 5/16	3 5/8	2 7/16
8 C 200 J	20.40	20.00	4 1/2	J	A-3	7 3/4	3/8	1 9/16	4 1/2	3 1/2
8 C 240 J	24.40	24.00	4 1/2	J	A-3	7 3/4	3/8	1 9/16	4 1/2	3 1/2
8 C 270 J	27.40	27.00	4 1/2	J	A-3	7 3/4	3/8	1 9/16	4 1/2	3 1/2
8 C 300 J	30.40	30.00	4 1/2	J	A-3	7 3/4	3/8	1 9/16	4 1/2	3 1/2
8 C 360 M	36.40	36.00	5 1/2	M	A-3	9 1/2	1/2	1 5/16	6 3/4	1 1/8
8 C 440 M	44.40	44.00	5 1/2	M	A-3	9 1/2	1/2	1 5/16	6 3/4	1 1/8
8 C 500 M	50.40	50.00	5 1/2	M	A-3	9 1/2	1/2	1 5/16	6 3/4	1 1/8



C QD SHEAVES



C-10

M=10 3/8" (263.53mm)

SIZE 规格	De 外径	Dp 节径	Bush Max Bore 最大孔径	Bush	Form 型号	Dimension				
						Di	F	B	D	C
10 C 80 E	8.40	8.00	3 1/2	E	A-1	-	2 3/8	3 1/4	2 5/8	5 3/8
10 C 85 E	8.90	8.50	3 1/2	E	A-1	-	2 3/8	3 1/4	2 5/8	5 3/8
10 C 90 F	9.40	9.00	3 15/16	F	A-1	-	2 3/8	3 9/16	3 5/8	4 3/8
10 C 95 J	9.90	9.50	4 1/2	J	A-1	-	2 3/8	3 9/16	4 1/2	3 1/2
10 C 100 J	10.40	10.00	4 1/2	J	A-1	-	2 3/8	3 9/16	4 1/2	3 1/2
10 C 105 J	10.90	10.50	4 1/2	J	A-1	-	2 3/8	3 9/16	4 1/2	3 1/2
10 C 110 J	11.40	11.00	4 1/2	J	A-1	-	2 3/8	3 9/16	4 1/2	3 1/2
10 C 120 J	12.40	12.00	4 1/2	J	A-1	-	2 3/8	3 9/16	4 1/2	3 1/2
10 C 130 J	13.40	13.00	4 1/2	J	A-2	7 3/4	2 3/8	3 9/16	4 1/2	3 1/2
10 C 140 J	14.40	14.00	4 1/2	J	A-2	7 3/4	2 3/8	3 9/16	4 1/2	3 1/2
10 C 150 J	15.40	15.00	4 1/2	J	A-2	7 3/4	2 3/8	3 9/16	4 1/2	3 1/2
10 C 160 J	16.40	16.00	4 1/2	J	A-3	7 3/4	2 3/8	3 9/16	4 1/2	3 1/2
10 C 180 J	18.40	18.00	4 1/2	J	A-3	7 3/4	2 3/8	3 9/16	4 1/2	3 1/2
10 C 200 J	20.40	20.00	4 1/2	J	A-3	7 3/4	2 3/8	3 9/16	4 1/2	3 1/2
10 C 240 M	24.40	24.00	5 1/2	M	A-3	9 1/2	1/2	1 15/16	6 3/4	3 1/8
10 C 300 M	30.40	30.00	5 1/2	M	A-3	9 1/2	1/2	1 15/16	6 3/4	3 1/8
10 C 360 M	36.40	36.00	5 1/2	M	A-3	9 1/2	1/2	1 15/16	6 3/4	3 1/8
10 C 440 M	44.40	44.00	5 1/2	M	A-3	9 1/2	1/2	1 15/16	6 3/4	3 1/8
10 C 500 M	50.40	50.00	5 1/2	M	A-3	9 1/2	1/2	1 15/16	6 3/4	3 1/8

C-12

M=12 3/8" (314.33mm)

SIZE 规格	De 外径	Dp 节径	Bush Max Bore 最大孔径	Bush	Form 型号	Dimension				
						Di	F	B	D	C
12 C 90 F	9.40	9.00	3 15/16	F	A-1	-	2 7/8	4 1/16	3 5/8	5 7/8
12 C 95 J	9.90	9.50	4 1/2	J	A-1	-	2 7/8	4 1/16	4 1/2	5
12 C 100 J	10.40	10.00	4 1/2	J	A-1	-	2 7/8	4 1/16	4 1/2	5
12 C 105 J	10.90	10.50	4 1/2	J	A-1	-	2 7/8	4 1/16	4 1/2	5
12 C 110 J	11.40	11.00	4 1/2	J	A-1	-	2 7/8	4 1/16	4 1/2	5
12 C 120 J	12.40	12.00	4 1/2	J	A-1	-	2 7/8	4 1/16	4 1/2	5
12 C 130 J	13.40	13.00	4 1/2	J	A-2	7 3/4	2 7/8	4 1/16	4 1/2	5
12 C 140 J	14.40	14.00	4 1/2	J	A-2	7 3/4	2 7/8	4 1/16	4 1/2	5
12 C 150 J	15.40	15.00	4 1/2	J	A-2	7 3/4	2 7/8	4 1/16	4 1/2	5
12 C 160 J	16.40	16.00	4 1/2	J	A-3	7 3/4	2 7/8	4 1/16	4 1/2	5
12 C 180 J	18.40	18.00	4 1/2	J	A-3	7 3/4	2 7/8	4 1/16	4 1/2	5
12 C 200 J	20.40	20.00	5 1/2	J	A-3	9 1/2	1/2	1 15/16	6 3/4	5 1/8
12 C 240 M	24.40	24.00	5 1/2	M	A-3	9 1/2	1/2	1 15/16	6 3/4	5 1/8
12 C 270 M	27.40	27.00	5 1/2	M	A-3	9 1/2	1/2	1 15/16	6 3/4	5 1/8
12 C 300 M	30.40	30.00	5 1/2	M	A-3	9 1/2	1/2	1 15/16	6 3/4	5 1/8
12 C 360 M	36.40	36.00	5 1/2	M	A-3	9 1/2	1/2	1 15/16	6 3/4	5 1/8
12 C 440 M	44.40	44.00	5 1/2	M	A-3	9 1/2	1/2	1 15/16	6 3/4	5 1/8
12 C 500 M	50.40	50.00	5 1/2	M	A-3	9 1/2	1/2	1 15/16	6 3/4	5 1/8