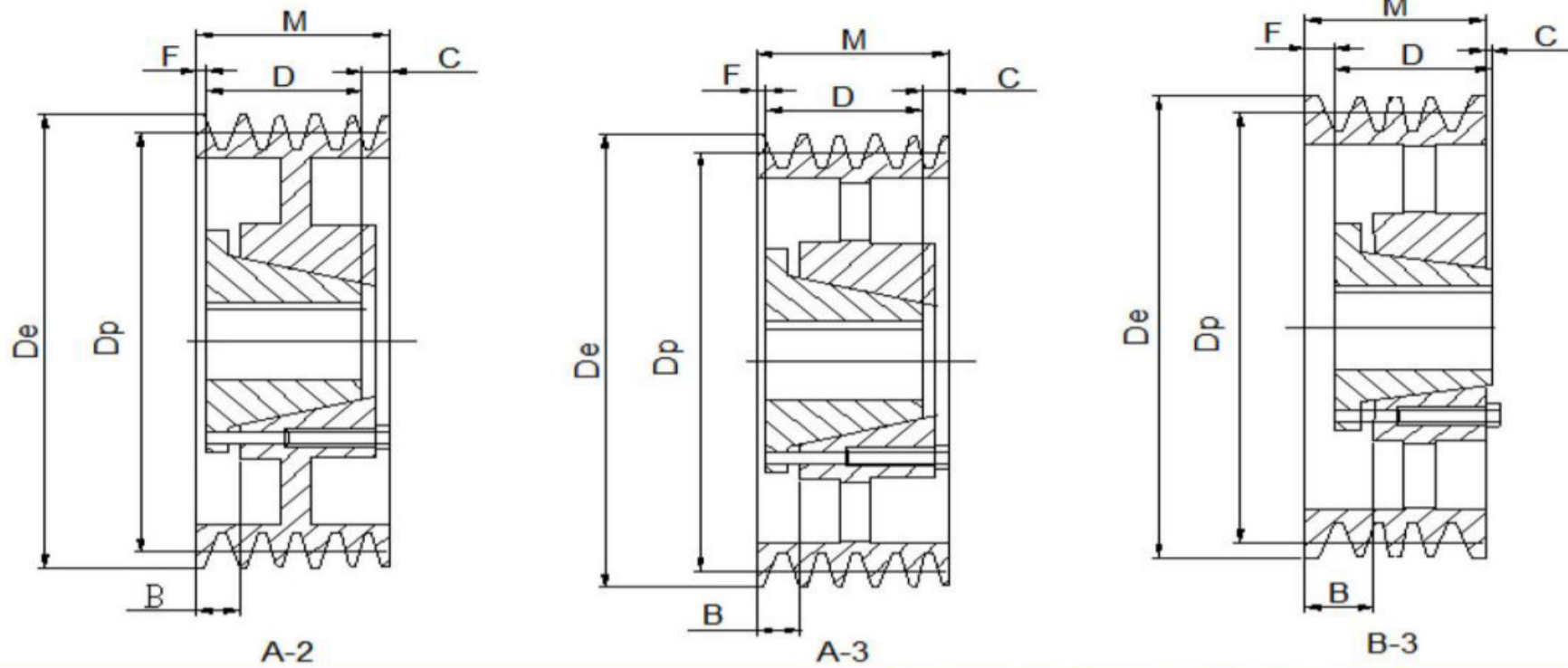




D QD SHEAVES



D-3 M=4 5/8" (117.48mm)

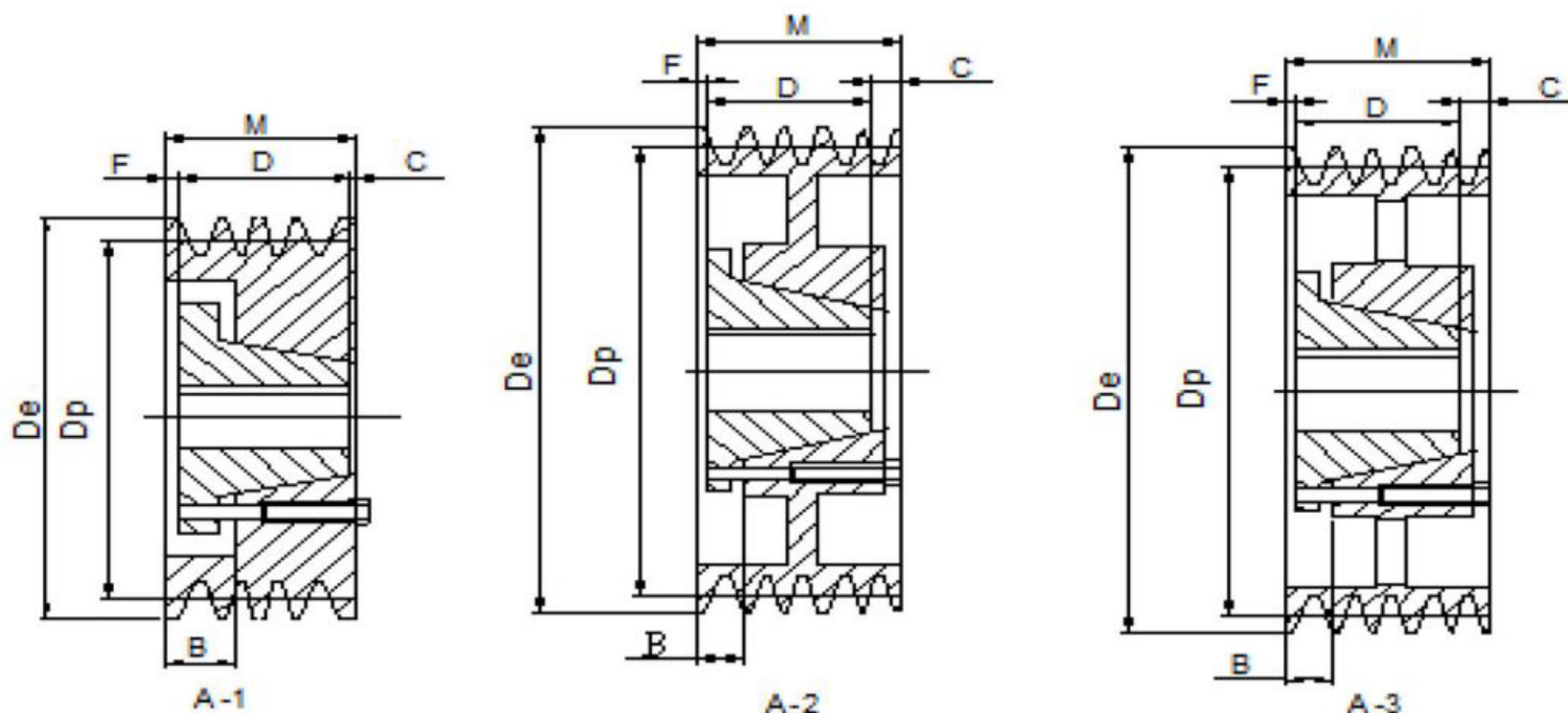
SIZE 规格	De 外径	Dp 节径	Bush Max Bore 最大孔径	Bush	Form 型号	Dimension				
						Di	F	B	D	C
3 D 120 F	12.60	12.00	3 15/16	F	A-2	7	1/2	1 1/2	3 5/8	1/2
3 D 130 F	13.60	13.00	3 15/16	F	A-2	7	1/2	1 1/2	3 5/8	1/2
3 D 135 F	14.10	13.50	3 15/16	F	A-2	7	1/2	1 1/2	3 5/8	1/2
3 D 140 F	14.60	14.00	3 15/16	F	A-2	7	1/2	1 1/2	3 5/8	1/2
3 D 145 F	15.10	14.50	3 15/16	F	A-2	7	1/2	1 1/2	3 5/8	1/2
3 D 150 F	15.60	15.00	3 15/16	F	A-2	7	1/2	1 1/2	3 5/8	1/2
3 D 155 F	16.10	15.50	3 15/16	F	A-2	7	1/2	1 1/2	3 5/8	1/2
3 D 160 F	16.60	16.00	3 15/16	F	A-2	7	1/2	1 1/2	3 5/8	1/2
3 D 170 F	17.60	17.00	3 15/16	F	A-2	7	1/2	1 1/2	3 5/8	1/2
3 D 180 J	18.60	18.00	4 1/2	J	A-3	7 3/4	-	1 3/16	4 1/2	1/8
3 D 200 J	20.60	20.00	4 1/2	J	A-3	7 3/4	-	1 3/16	4 1/2	1/8
3 D 220 J	22.60	22.00	4 1/2	J	A-3	7 3/4	-	1 3/16	4 1/2	1/8
3 D 270 J	27.60	27.00	4 1/2	J	A-3	7 3/4	-	1 3/16	4 1/2	1/8
3 D 330 J	33.60	33.00	4 1/2	J	A-3	7 3/4	-	1 3/16	4 1/2	1/8
3 D 400 J	40.60	40.00	4 1/2	J	A-3	7 3/4	-	1 3/16	4 1/2	1/8

D-4 M=4 5/8" (117.48mm)

SIZE 规格	De 外径	Dp 节径	Bush Max Bore 最大孔径	Bush	Form 型号	Dimension				
						Di	F	B	D	C
4 D 120 F	12.60	12.00	3 15/16	F	A-2	7	1 5/16	2 5/16	3 5/8	1 1/8
4 D 130 F	13.60	13.00	3 15/16	F	A-2	7	1 5/16	2 5/16	3 5/8	1 1/8
4 D 135 F	14.10	13.50	3 15/16	F	A-2	7	1 5/16	2 5/16	3 5/8	1 1/8
4 D 140 F	14.60	14.00	3 15/16	F	A-2	7	1 5/16	2 5/16	3 5/8	1 1/8
4 D 145 F	15.10	14.50	3 15/16	F	A-2	7	1 5/16	2 5/16	3 5/8	1 1/8
4 D 150 F	15.60	15.00	3 15/16	F	A-2	7	1 5/16	2 5/16	3 5/8	1 1/8
4 D 155 F	16.10	15.50	3 15/16	F	A-2	7	1 5/16	2 5/16	3 5/8	1 1/8
4 D 160 F	16.60	16.00	3 15/16	F	A-2	7	1 5/16	2 5/16	3 5/8	1 1/8
4 D 170 J	17.60	17.00	4 1/2	J	A-2	7 3/4	1 3/8	2 5/16	4 1/2	3/16
4 D 180 J	18.60	18.00	4 1/2	J	A-3	7 3/4	1 3/8	2 5/16	4 1/2	3/16
4 D 200 J	20.60	20.00	4 1/2	J	A-3	7 3/4	3/8	1 9/16	4 1/2	1 3/16
4 D 220 J	22.60	22.00	4 1/2	J	A-3	7 3/4	3/8	1 9/16	4 1/2	1 3/16
4 D 270 J	27.60	27.00	4 1/2	J	A-3	7 3/4	3/8	1 9/16	4 1/2	1 3/16
4 D 330 M	33.60	33.00	4 1/2	M	B-3	9 1/2	1/2	1 15/16	6 3/4	1 3/16
4 D 400 M	40.60	40.00	4 1/2	M	B-3	9 1/2	1/2	1 15/16	6 3/4	1 3/16



D QD SHEAVES



D-5 M=7 1/2" (190.50mm)

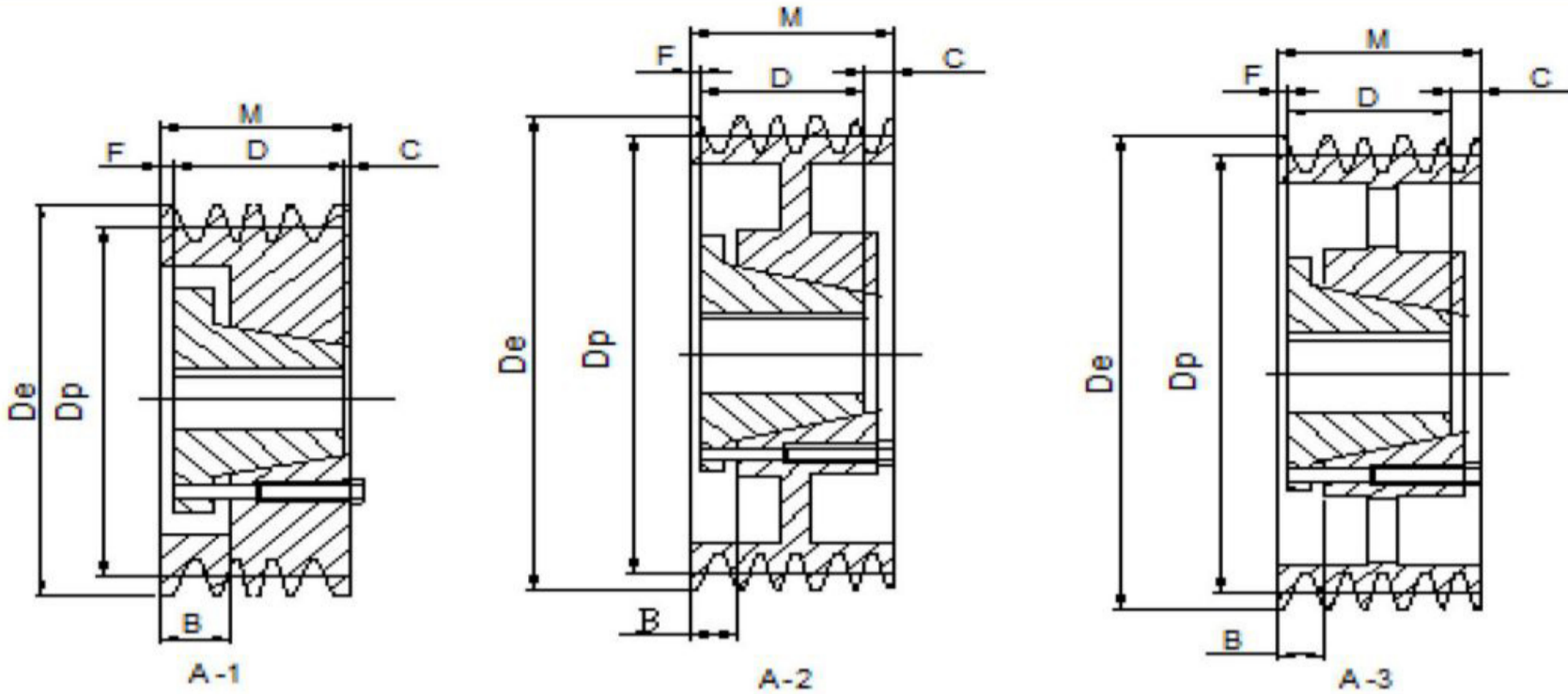
SIZE 规格	De 外径	Dp 节径	Bush Max Bore 最大孔径	Bush	Form 型号	Dimension				
						Di	F	B	D	C
5 D 120 F	12.60	12.00	3 15/16	F	A-2	7	2 1/16	3 1/16	3 5/8	1 13/16
5 D 130 F	13.60	13.00	3 15/16	F	A-2	7	2 1/16	3 1/16	3 5/8	1 13/16
5 D 135 F	14.10	13.50	3 15/16	F	A-2	7	2 1/16	3 1/16	3 5/8	1 13/16
5 D 140 F	14.60	14.00	3 15/16	F	A-2	7	2 1/16	3 1/16	3 5/8	1 13/16
5 D 145 F	15.10	14.50	3 15/16	F	A-2	7	2 1/16	3 1/16	3 5/8	1 13/16
5 D 150 F	15.60	15.00	3 15/16	F	A-2	7	2 1/16	3 1/16	3 5/8	1 13/16
5 D 155 F	16.10	15.50	3 15/16	F	A-2	7	2 1/16	3 1/16	3 5/8	1 13/16
5 D 160 F	16.60	16.00	3 15/16	F	A-2	7	2 1/16	3 1/16	3 5/8	1 13/16
5 D 170 J	17.60	17.00	4 1/2	J	A-2	7 3/4	3/8	1 9/16	4 1/2	2 5/8
5 D 180 J	18.60	18.00	4 1/2	J	A-3	7 3/4	3/8	1 9/16	4 1/2	2 5/8
5 D 200 J	20.60	20.00	4 1/2	J	A-3	7 3/4	3/8	1 9/16	4 1/2	2 5/8
5 D 220 J	22.60	22.00	4 1/2	J	A-3	7 3/4	3/8	1 9/16	4 1/2	2 5/8
5 D 270 M	27.60	27.00	5 1/2	M	A-3	9 1/2	1/2	1 15/16	6 3/4	1/4
5 D 330 M	33.60	33.00	5 1/2	M	A-3	9 1/2	1/2	1 15/16	6 3/4	1/4
5 D 400 M	40.60	40.00	5 1/2	M	A-3	9 1/2	1/2	1 15/16	6 3/4	1/4

D-6 M=8 15/16" (227.01mm)

SIZE 规格	De 外径	Dp 节径	Bush Max Bore 最大孔径	Bush	Form 型号	Dimension				
						Di	F	B	D	C
6 D 120 J	12.60	12.00	4 1/2	J	A-1	-	2 1/8	3 5/16	4 1/2	2 5/16
6 D 130 J	13.60	13.00	4 1/2	J	A-1	-	2 1/8	3 5/16	4 1/2	2 5/16
6 D 135 J	14.10	13.50	4 1/2	J	A-1	-	2 1/8	3 5/16	4 1/2	2 5/16
6 D 140 J	14.60	14.00	4 1/2	J	A-1	-	2 1/8	3 5/16	4 1/2	2 5/16
6 D 145 J	15.10	14.50	4 1/2	J	A-1	-	2 1/8	3 5/16	4 1/2	2 5/16
6 D 150 J	15.60	15.00	4 1/2	J	A-2	7 3/4	2 1/8	3 5/16	4 1/2	2 5/16
6 D 155 J	16.10	15.50	4 1/2	J	A-2	7 3/4	2 1/8	3 5/16	4 1/2	2 5/16
6 D 160 J	16.60	16.00	4 1/2	J	A-2	7 3/4	2 1/8	3 5/16	4 1/2	2 5/16
6 D 170 J	17.60	17.00	4 1/2	J	A-2	7 3/4	2 1/8	3 5/16	4 1/2	2 5/16
6 D 180 J	18.60	18.00	4 1/2	J	A-2	7 3/4	2 1/8	3 5/16	4 1/2	2 5/16
6 D 200 J	20.60	20.00	4 1/2	J	A-2	7 3/4	2 1/8	3 5/16	4 1/2	2 5/16
6 D 220 M	22.60	22.00	5 1/2	M	A-2	7 3/4	2 1/8	3 5/16	4 1/2	2 5/16
6 D 270 M	27.60	27.00	5 1/2	M	A-3	9 1/2	1/2	1 15/16	6 3/4	1 11/16
6 D 330 M	33.60	33.00	5 1/2	M	A-3	9 1/2	1/2	1 15/16	6 3/4	1 11/16
6 D 400 M	40.60	40.00	5 1/2	M	A-3	9 1/2	1/2	1 15/16	6 3/4	1 11/16
6 D 440 M	44.60	44.00	5 1/2	M	A-3	9 1/2	1/2	1 15/16	6 3/4	1 11/16
6 D 480 M	48.60	48.00	5 1/2	M	A-3	9 1/2	1/2	1 15/16	6 3/4	1 11/16
6 D 580 N	58.60	58.00	6	N	A-3	10 1/2	1/2	2 1/4	8 1/8	5/16



D QD SHEAVES



D-8 M=11 13/16" (300.04mm)

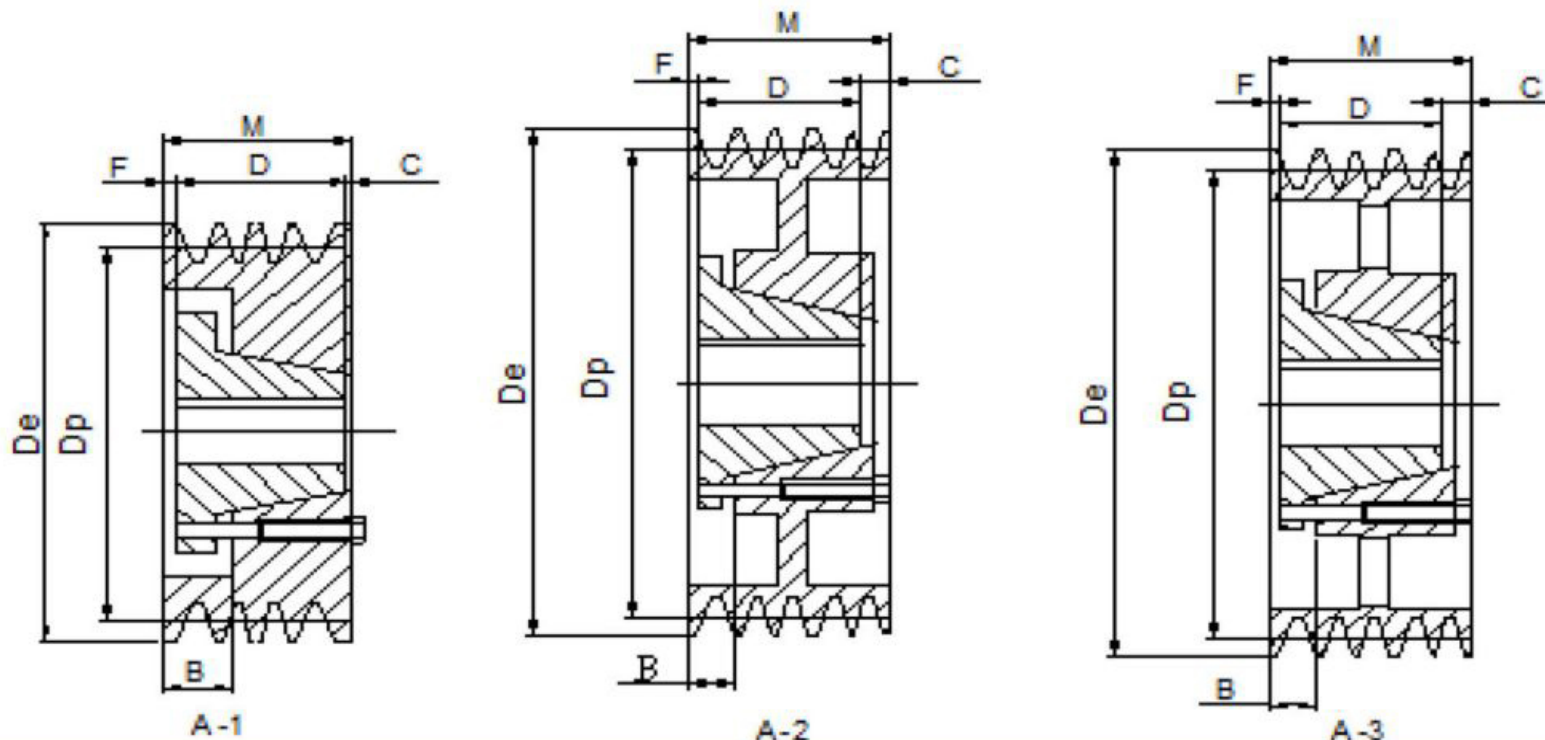
SIZE 规格	De 外径	Dp 节径	Bush Max Bore 最大孔径	Bush	Form 型号	Dimension				
						Di	F	B	D	C
8 D 120 J	12.60	12.00	4 1/2	J	A-1	-	2 3/8	3 9/16	4 1/2	4 15/16
8 D 130 J	13.60	13.00	4 1/2	J	A-1	-	2 3/8	3 9/16	4 1/2	4 15/16
8 D 135 J	14.10	13.50	4 1/2	J	A-1	-	2 3/8	3 9/16	4 1/2	4 15/16
8 D 140 J	14.60	14.00	4 1/2	J	A-1	-	2 3/8	3 9/16	4 1/2	4 15/16
8 D 145 J	15.10	14.50	4 1/2	J	A-1	-	2 3/8	3 9/16	4 1/2	4 15/16
8 D 150 J	15.60	15.00	4 1/2	J	A-2	7 3/4	2 3/8	3 9/16	4 1/2	4 15/16
8 D 155 J	16.10	15.50	4 1/2	J	A-2	7 3/4	2 3/8	3 9/16	4 1/2	4 15/16
8 D 160 J	16.60	16.00	4 1/2	J	A-2	7 3/4	2 3/8	3 9/16	4 1/2	4 15/16
8 D 170 M	17.60	17.00	5 1/2	M	A-1	-	2 1/2	3 15/16	6 3/4	2 9/16
8 D 180 M	18.60	18.00	5 1/2	M	A-2	9 1/2	2 1/2	3 15/16	6 3/4	2 9/16
8 D 200 M	20.60	20.00	5 1/2	M	A-2	9 1/2	2 1/2	3 15/16	6 3/4	2 9/16
8 D 220 M	22.60	22.00	5 1/2	M	A-2	9 1/2	1/2	1 15/16	6 3/4	4 9/16
8 D 270 M	27.60	27.00	5 1/2	M	A-3	9 1/2	1/2	1 15/16	6 3/4	4 9/16
8 D 330 M	33.60	33.00	5 1/2	M	A-3	9 1/2	1/2	1 15/16	6 3/4	4 9/16
8 D 400 N	40.60	40.00	6	N	A-3	10 1/2	1/2	2 1/4	8 1/8	3 9/16
8 D 440 N	44.60	44.00	6	N	A-3	10 1/2	1/2	2 1/4	8 1/8	3 9/16
8 D 480 N	48.60	48.00	6	N	A-3	10 1/2	1/2	2 1/4	8 1/8	3 9/16
8 D 580 N	58.60	58.00	6	N	A-3	10 1/2	1/2	2 1/4	8 1/8	3 9/16

D-10 M=14 11/16" (373.06mm)

SIZE 规格	De 外径	Dp 节径	Bush Max Bore 最大孔径	Bush	Form 型号	Dimension				
						Di	F	B	D	C
10 D 120 M	12.60	12.00	4 1/2	M	A-1	-	2 1/2	3 15/16	6 3/4	5 7/16
10 D 130 M	13.60	13.00	4 1/2	M	A-1	-	2 1/2	3 15/16	6 3/4	5 7/16
10 D 135 M	14.10	13.50	4 1/2	M	A-1	-	2 1/2	3 15/16	6 3/4	5 7/16
10 D 140 M	14.60	14.00	4 1/2	M	A-1	-	2 1/2	3 15/16	6 3/4	5 7/16
10 D 145 M	15.10	14.50	4 1/2	M	A-1	-	2 1/2	3 15/16	6 3/4	5 7/16
10 D 150 M	15.60	15.00	4 1/2	M	A-1	-	2 1/2	3 15/16	6 3/4	5 7/16
10 D 155 M	16.10	15.50	4 1/2	M	A-1	-	2 1/2	3 15/16	6 3/4	5 7/16
10 D 160 M	16.60	16.00	4 1/2	M	A-1	-	2 1/2	3 15/16	6 3/4	5 7/16
10 D 170 M	17.60	17.00	5 1/2	M	A-1	-	2 1/2	3 15/16	6 3/4	5 7/16
10 D 180 M	18.60	18.00	5 1/2	M	A-1	-	2 1/2	3 15/16	6 3/4	5 7/16
10 D 200 M	20.60	20.00	5 1/2	M	A-2	9 1/2	2 1/2	3 15/16	6 3/4	5 7/16
10 D 220 M	22.60	22.00	5 1/2	M	A-3	9 1/2	1 1/2	2 15/16	6 3/4	6 7/16
10 D 270 M	27.60	27.00	5 1/2	M	A-3	9 1/2	1 1/2	2 15/16	6 3/4	6 7/16
10 D 330 N	33.60	33.00	5 1/2	N	A-3	10 1/2	1 1/2	3 1/4	8 1/8	5 1/16
10 D 400 N	40.60	40.00	6	N	A-3	10 1/2	1 1/2	3 1/4	8 1/8	5 1/16
10 D 440 N	44.60	44.00	6	N	A-3	10 1/2	1 1/2	3 1/4	8 1/8	5 1/16
10 D 480 P	48.60	48.00	6	P	A-3	13	5/8	2 5/8	9 3/8	4 11/16
10 D 580 P	58.60	58.00	6	P	A-3	13	5/8	2 5/8	9 3/8	4 11/16



D QD SHEAVES



D-12

M=17 9/16" (446.09mm)

SIZE 规格	De 外径	Dp 节径	Bush Max Bore 最大孔径	Bush	Form 型号	Dimension				
						Di	F	B	D	C
12 D 120 M	12.60	12.00	5 1/2	M	A-1	-	3 1/2	4 15/16	6 3/4	7 5/16
12 D 130 M	13.60	13.00	5 1/2	M	A-1	-	3 1/2	4 15/16	6 3/4	7 5/16
12 D 135 M	14.10	13.50	5 1/2	M	A-1	-	3 1/2	4 15/16	6 3/4	7 5/16
12 D 140 M	14.60	14.00	5 1/2	M	A-1	-	3 1/2	4 15/16	6 3/4	7 5/16
12 D 145 M	15.10	14.50	5 1/2	M	A-1	-	3 1/2	4 15/16	6 3/4	7 5/16
12 D 150 M	15.60	15.00	5 1/2	M	A-1	-	3 1/2	4 15/16	6 3/4	7 5/16
12 D 155 M	16.10	15.50	5 1/2	M	A-1	-	3 1/2	4 15/16	6 3/4	7 5/16
12 D 160 M	16.60	16.00	5 1/2	M	A-1	-	3 1/2	4 15/16	6 3/4	7 5/16
12 D 170 M	17.60	17.00	5 1/2	M	A-1	-	3 1/2	4 15/16	6 3/4	7 5/16
12 D 180 M	18.60	18.00	5 1/2	M	A-1	-	3 1/2	4 15/16	6 3/4	7 5/16
12 D 200 M	20.60	20.00	5 1/2	M	A-2	9 1/2	3 1/2	4 15/16	6 3/4	7 5/16
12 D 220 M	22.60	22.00	5 1/2	M	A-2	9 1/2	2 1/2	3 15/16	6 3/4	8 5/16
12 D 270 N	27.60	27.00	5 1/2	N	A-3	10 1/2	2 1/2	4 1/4	6 3/4	6 15/16
12 D 330 N	33.60	33.00	6	N	A-3	10 1/2	2 1/2	4 1/4	6 3/4	6 15/16
12 D 400 P	40.60	40.00	6 3/4	P	A-3	13	5/8	2 5/8	8 1/8	7 9/16
12 D 440 P	44.60	44.00	6 3/4	P	A-3	13	5/8	2 5/8	8 1/8	7 9/16
12 D 480 P	48.60	48.00	6 3/4	P	A-3	13	5/8	2 5/8	8 1/8	7 9/16
12 D 580 P	58.60	58.00	6 3/4	P	A-3	13	5/8	2 5/8	8 1/8	7 9/16