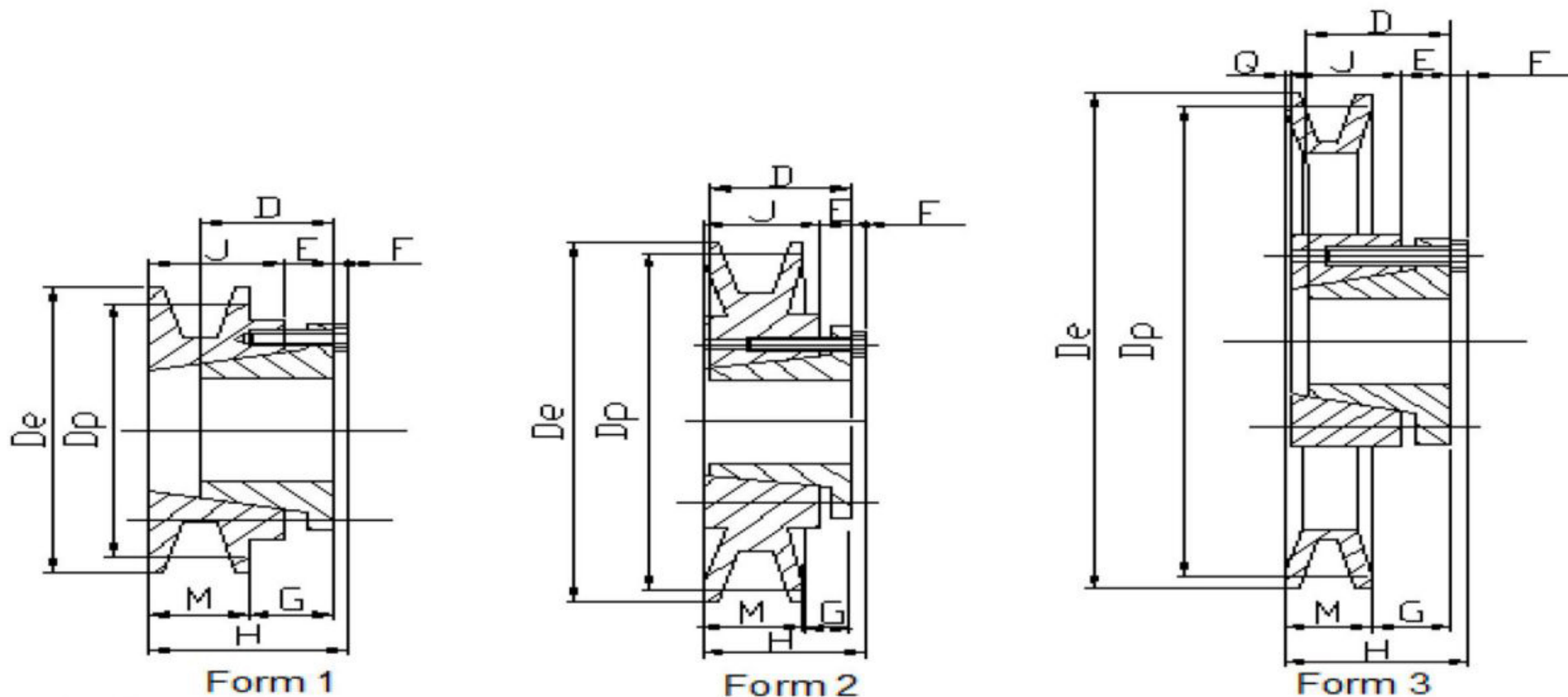




**QD SHEAVES**

QD孔皮带轮



for "4L" or "A" Belts and "3L" Belts

与"4L", "A"和"3L" 型号皮带配合使用

**AK30H TO AK184H**

Table 7

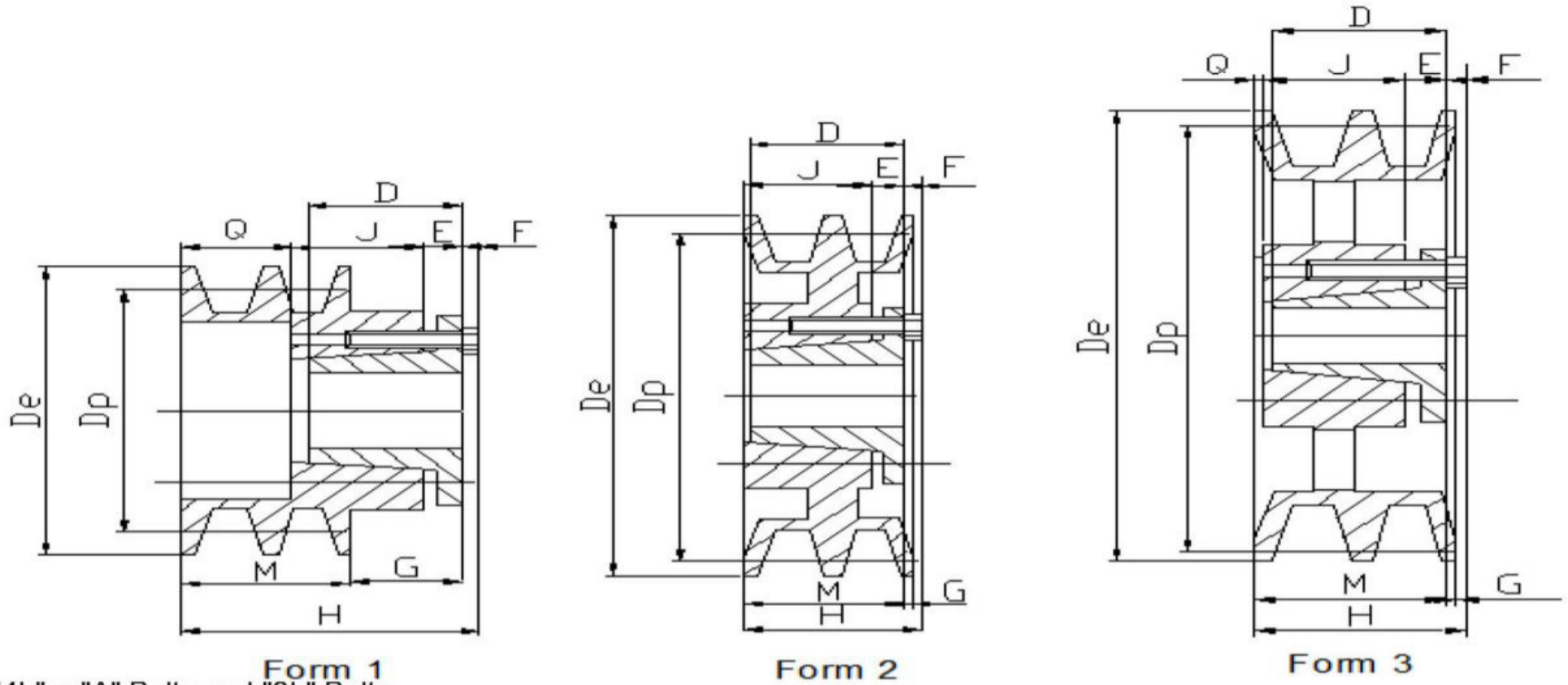
(in.)

SIZE 规格	Diameter			Form 型号	BUSHIN G	DIMENSIONS							
	De 外径	Dp 节径				H	M	D	G	Q	J	E	F
		"A"	"3L"										
AK30H	3.05	2.80	2.46	1	H	1 13/16	3/4	1 1/4	7/8	-	1 3/16	7/16	3/16
AK32H	3.25	3.00	2.66	1	H	1 13/16	3/4	1 1/4	7/8	-	1 3/16	7/16	3/16
AK34H	3.45	3.20	2.86	2	H	1 1/2	3/4	1 1/4	9/16	-	7/8	7/16	3/16
AK39H	3.75	3.50	3.16	2	H	1 1/2	3/4	1 1/4	9/16	-	7/8	7/16	3/16
AK41H	3.95	3.70	3.36	2	H	1 1/2	3/4	1 1/4	9/16	-	7/8	7/16	3/16
AK44H	4.25	4.00	3.66	2	H	1 1/2	3/4	1 1/4	9/16	-	7/8	7/16	3/16
AK46H	4.45	4.20	3.86	2	H	1 1/2	3/4	1 1/4	9/16	-	7/8	7/16	3/16
AK49H	4.75	4.50	4.16	2	H	1 1/2	3/4	1 1/4	9/16	-	7/8	7/16	3/16
AK51H	4.95	4.70	4.36	2	H	1 1/2	3/4	1 1/4	9/16	-	7/8	7/16	3/16
AK54H	5.25	5.00	4.66	2	H	1 1/2	3/4	1 1/4	9/16	-	7/8	7/16	3/16
AK56H	5.45	5.20	4.86	2	H	1 1/2	3/4	1 1/4	9/16	-	7/8	7/16	3/16
AK59H	5.75	5.50	5.16	2	H	1 1/2	3/4	1 1/4	9/16	-	7/8	7/16	3/16
AK61H	5.95	5.70	5.36	3	H	1 1/2	3/4	1 1/4	9/16	-	7/8	7/16	3/16
AK64H	6.25	6.00	5.66	3	H	1 1/2	3/4	1 1/4	9/16	-	7/8	7/16	3/16
AK66H	6.45	6.20	5.86	3	H	1 1/2	3/4	1 1/4	9/16	-	7/8	7/16	3/16
AK69H	6.75	6.50	6.16	3	H	1 1/2	3/4	1 1/4	9/16	-	7/8	7/16	3/16
AK71H	6.95	6.70	6.36	3	H	1 1/2	3/4	1 1/4	9/16	-	7/8	7/16	3/16
AK74H	7.25	7.00	6.66	3	H	1 1/2	3/4	1 1/4	9/16	-	7/8	7/16	3/16
AK79H	7.75	7.50	7.16	3	H	1 1/2	3/4	1 1/4	9/16	-	7/8	7/16	3/16
AK84H	8.25	8.00	7.66	3	H	1 1/2	3/4	1 1/4	9/16	-	7/8	7/16	3/16
AK89H	8.75	8.50	8.16	3	H	1 1/2	3/4	1 1/4	9/16	-	7/8	7/16	3/16
AK94H	9.25	9.00	8.66	3	H	1 1/2	3/4	1 1/4	9/16	-	7/8	7/16	3/16
AK99H	9.75	9.50	9.16	3	H	1 1/2	3/4	1 1/4	9/16	-	7/8	7/16	3/16
AK104H	10.25	10.00	9.66	3	H	1 1/2	3/4	1 1/4	9/16	-	7/8	7/16	3/16
AK109H	10.75	10.50	10.16	3	H	1 1/2	3/4	1 1/4	9/16	-	7/8	7/16	3/16
AK114H	11.25	11.00	10.66	3	H	1 1/2	3/4	1 1/4	9/16	-	7/8	7/16	3/16
AK124H	12.25	12.00	11.66	3	H	1 1/2	3/4	1 1/4	9/16	-	7/8	7/16	3/16
AK134H	13.25	13.00	12.66	3	H	1 1/2	3/4	1 1/4	9/16	-	7/8	7/16	3/16
AK144H	14.25	14.00	13.66	3	H	1 1/2	3/4	1 1/4	9/16	-	7/8	7/16	3/16
AK154H	15.25	15.00	14.66	3	H	1 1/2	3/4	1 1/4	9/16	-	7/8	7/16	3/16
AK184H	18.25	18.00	17.66	3	H	1 1/2	3/4	1 1/4	9/16	-	7/8	7/16	3/16



**QD SHEAVES**

**QD孔皮带轮**



for "4L" or "A" Belts and "3L" Belts  
与"4L","A"和"3L" 型号皮带配合使用

**2AK30H TO 2AK184H**

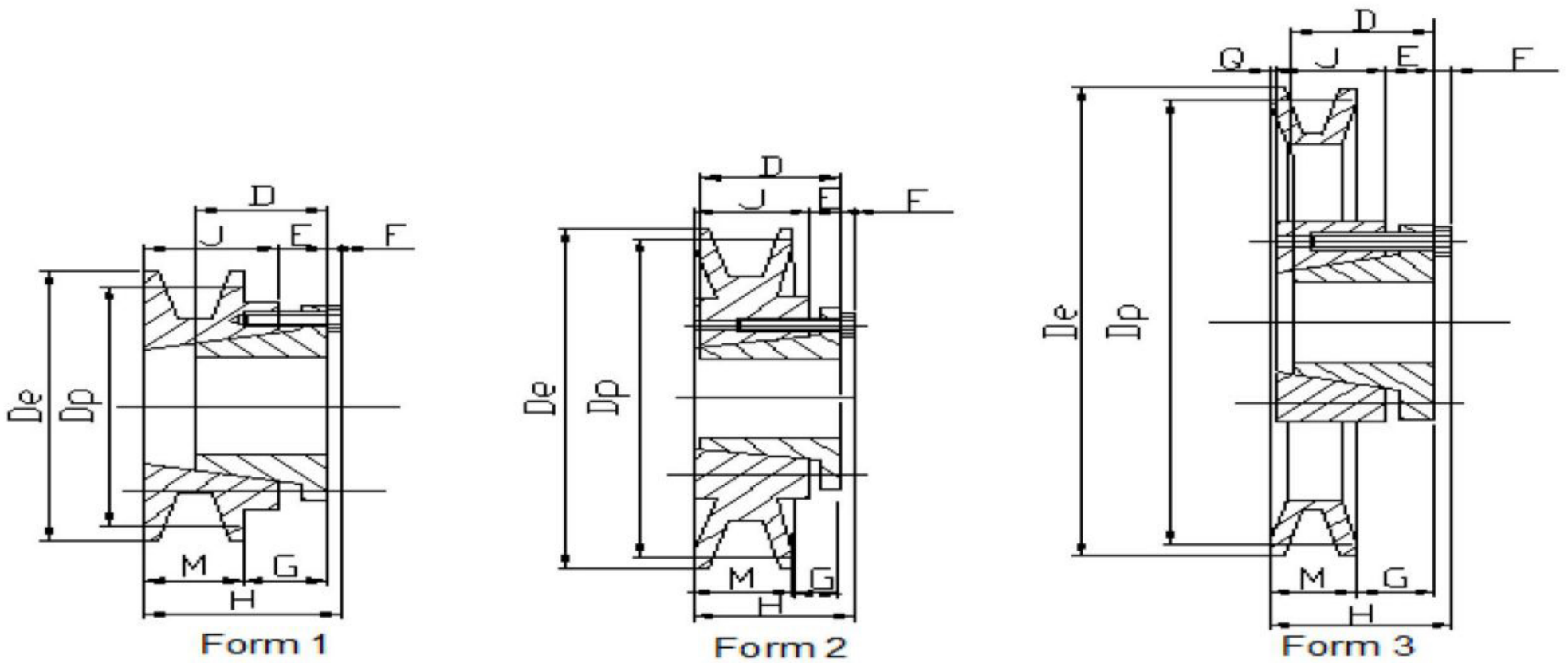
Table 8 (in.)

SIZE 规格	Diameter			Form 型号	BUSHIN G	DIMENSIONS							
	De 外径	Dp 节径				H	M	D	G	Q	J	E	F
		"A"	"3L"										
2AK30H	3.05	2.80	2.46	1	H	2 7/16	1 3/8	1 1/4	7/8	15/16	7/8	7/16	3/16
2AK32H	3.25	3.00	2.66	1	H	2 7/16	1 3/8	1 1/4	7/8	15/16	7/8	7/16	3/16
2AK34H	3.45	3.20	2.86	1	H	2	1 3/8	1 1/4	7/16	1/2	7/8	7/16	3/16
2AK39H	3.75	3.50	3.16	1	H	2	1 3/8	1 1/4	7/16	1/2	7/8	7/16	3/16
2AK41H	3.95	3.70	3.36	2	H	1 1/2	1 3/8	1 1/4	1/16	-	7/8	7/16	3/16
2AK44H	4.25	4.00	3.66	2	H	1 1/2	1 3/8	1 1/4	1/16	-	7/8	7/16	3/16
2AK46H	4.45	4.20	3.86	2	H	1 1/2	1 3/8	1 1/4	1/16	-	7/8	7/16	3/16
2AK49H	4.75	4.50	4.16	2	H	1 1/2	1 3/8	1 1/4	1/16	-	7/8	7/16	3/16
2AK51H	4.95	4.70	4.36	2	H	1 1/2	1 3/8	1 1/4	1/16	-	7/8	7/16	3/16
2AK54H	5.25	5.00	4.66	2	H	1 1/2	1 3/8	1 1/4	1/16	-	7/8	7/16	3/16
2AK56H	5.45	5.20	4.86	2	H	1 1/2	1 3/8	1 1/4	1/16	-	7/8	7/16	3/16
2AK59H	5.75	5.50	5.16	3	H	1 1/2	1 3/8	1 1/4	1/16	-	7/8	7/16	3/16
2AK61H	5.95	5.70	5.36	3	H	1 1/2	1 3/8	1 1/4	1/16	-	7/8	7/16	3/16
2AK64H	6.25	6.00	5.66	3	H	1 1/2	1 3/8	1 1/4	1/16	-	7/8	7/16	3/16
2AK74H	7.25	7.00	6.66	3	H	1 1/2	1 3/8	1 1/4	1/16	-	7/8	7/16	3/16
2AK84H	8.25	8.00	7.66	3	H	1 1/2	1 3/8	1 1/4	1/16	-	7/8	7/16	3/16
2AK94H	9.25	9.00	8.66	3	H	1 1/2	1 3/8	1 1/4	1/16	-	7/8	7/16	3/16
2AK104H	10.25	10.00	9.66	3	H	1 1/2	1 3/8	1 1/4	1/16	-	7/8	7/16	3/16
2AK114H	11.25	11.00	10.66	3	H	1 1/2	1 3/8	1 1/4	1/16	-	7/8	7/16	3/16
2AK124H	12.25	12.00	11.66	3	H	1 1/2	1 3/8	1 1/4	1/16	-	7/8	7/16	3/16
2AK134H	13.25	13.00	12.66	3	H	1 1/2	1 3/8	1 1/4	1/16	-	7/8	7/16	3/16
2AK144H	14.25	14.00	13.66	3	H	1 1/2	1 3/8	1 1/4	1/16	-	7/8	7/16	3/16
2AK154H	15.25	15.00	14.66	3	H	1 1/2	1 3/8	1 1/4	1/16	-	7/8	7/16	3/16
2AK184H	18.25	18.00	17.66	3	H	1 1/2	1 3/8	1 1/4	1/16	-	7/8	7/16	3/16



**QD SHEAVES**

**QD孔皮带轮**



for "4L" or "A" Belts and "5L" or "B" Belts  
与"4L","A"和"5L","B"型号皮带配合使用

**BK30H TO BK190H**

Table 9

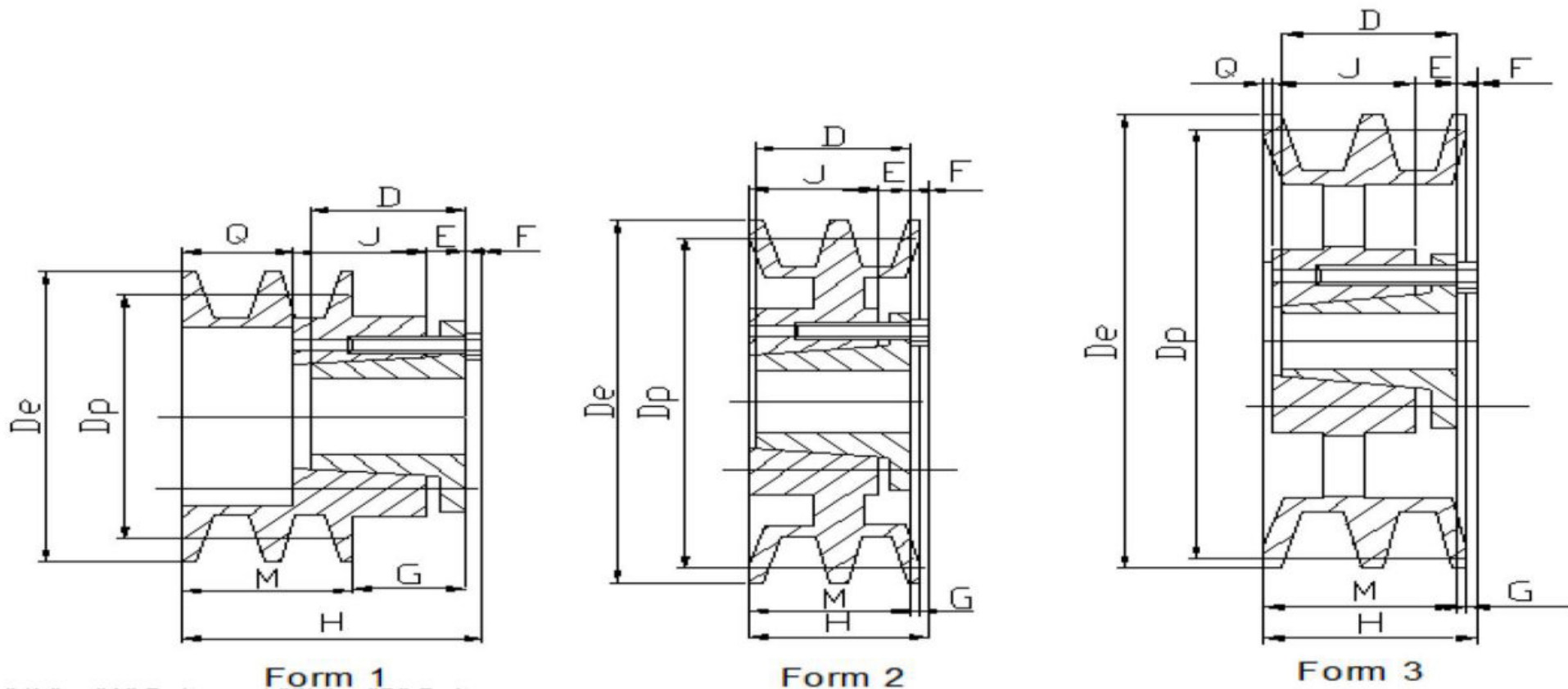
(in.c)

SIZE 规格	Diameter			Form 型号	BUSHIN G	DIMENSIONS							
	De 外径	Dp 节径				H	M	D	G	Q	J	E	F
		"A"	"B"										
BK30H	3.15	2.40	2.80	1	H	1 15/16	7/8	1 1/4	7/8	-	15/16	7/16	3/16
BK32H	3.35	2.60	3.00	1	H	1 15/16	7/8	1 1/4	7/8	-	15/16	7/16	3/16
BK34H	3.55	2.80	3.20	1	H	1 15/16	7/8	1 1/4	7/8	-	15/16	7/16	3/16
BK36H	3.75	3.00	3.40	2	H	1 1/2	7/8	1 1/4	7/16	-	7/8	7/16	3/16
BK40H	3.95	3.20	3.60	2	H	1 1/2	7/8	1 1/4	7/16	-	7/8	7/16	3/16
BK45H	4.25	3.50	3.90	2	H	1 1/2	7/8	1 1/4	7/16	-	7/8	7/16	3/16
BK47H	4.45	3.70	4.10	2	H	1 1/2	7/8	1 1/4	7/16	-	7/8	7/16	3/16
BK50H	4.75	4.00	4.40	2	H	1 1/2	7/8	1 1/4	7/16	-	7/8	7/16	3/16
BK52H	4.95	4.20	4.60	2	H	1 1/2	7/8	1 1/4	7/16	-	7/8	7/16	3/16
BK55H	5.25	4.50	4.90	2	H	1 1/2	7/8	1 1/4	7/16	-	7/8	7/16	3/16
BK57H	5.45	4.70	5.10	2	H	1 1/2	7/8	1 1/4	7/16	-	7/8	7/16	3/16
BK60H	5.75	5.00	5.40	2	H	1 1/2	7/8	1 1/4	7/16	-	7/8	7/16	3/16
BK62H	5.95	5.20	5.60	2	H	1 1/2	7/8	1 1/4	7/16	-	7/8	7/16	3/16
BK65H	6.25	5.50	5.90	2	H	1 1/2	7/8	1 1/4	7/16	-	7/8	7/16	3/16
BK67H	6.45	5.70	6.10	2	H	1 1/2	7/8	1 1/4	7/16	-	7/8	7/16	3/16
BK70H	6.75	6.00	6.40	3	H	1 9/16	7/8	1 1/4	1/2	1/16	7/8	7/16	3/16
BK72H	6.95	6.20	6.60	3	H	1 9/16	7/8	1 1/4	1/2	1/16	7/8	7/16	3/16
BK75H	7.25	6.50	6.90	3	H	1 9/16	7/8	1 1/4	1/2	1/16	7/8	7/16	3/16
BK77H	7.45	6.70	7.10	3	H	1 9/16	7/8	1 1/4	1/2	1/16	7/8	7/16	3/16
BK80H	7.75	7.00	7.40	3	H	1 9/16	7/8	1 1/4	1/2	1/16	7/8	7/16	3/16
BK85H	8.25	7.50	7.90	3	H	1 9/16	7/8	1 1/4	1/2	1/16	7/8	7/16	3/16
BK90H	8.75	8.00	8.40	3	H	1 9/16	7/8	1 1/4	1/2	1/16	7/8	7/16	3/16
BK95H	9.25	8.50	8.90	3	H	1 9/16	7/8	1 1/4	1/2	1/16	7/8	7/16	3/16
BK100H	9.75	9.00	9.40	3	H	1 9/16	7/8	1 1/4	1/2	1/16	7/8	7/16	3/16
BK105H	10.25	9.50	9.90	3	H	1 9/16	7/8	1 1/4	1/2	1/16	7/8	7/16	3/16
BK110H	10.75	10.00	10.40	3	H	1 9/16	7/8	1 1/4	1/2	1/16	7/8	7/16	3/16
BK115H	11.25	10.50	10.90	3	H	1 9/16	7/8	1 1/4	1/2	1/16	7/8	7/16	3/16
BK120H	11.75	11.00	11.40	3	H	1 9/16	7/8	1 1/4	1/2	1/16	7/8	7/16	3/16
BK130H	12.75	12.00	12.40	3	H	1 9/16	7/8	1 1/4	1/2	1/16	7/8	7/16	3/16
BK140H	13.75	13.00	13.40	3	H	1 9/16	7/8	1 1/4	1/2	1/16	7/8	7/16	3/16
BK150H	14.75	14.00	14.40	3	H	1 9/16	7/8	1 1/4	1/2	1/16	7/8	7/16	3/16
BK160H	15.75	15.00	15.40	3	H	1 9/16	7/8	1 1/4	1/2	1/16	7/8	7/16	3/16
BK190H	18.75	18.00	18.40	3	H	1 9/16	7/8	1 1/4	1/2	1/16	7/8	7/16	3/16



**QD SHEAVES**

**QD孔皮带轮**



Form 1  
for "4L" or "A" Belts and "5L" or "B" Belts  
与"4L", "A"和"5L", "B"型号皮带配合使用

**2BK32H TO 2BK190H**

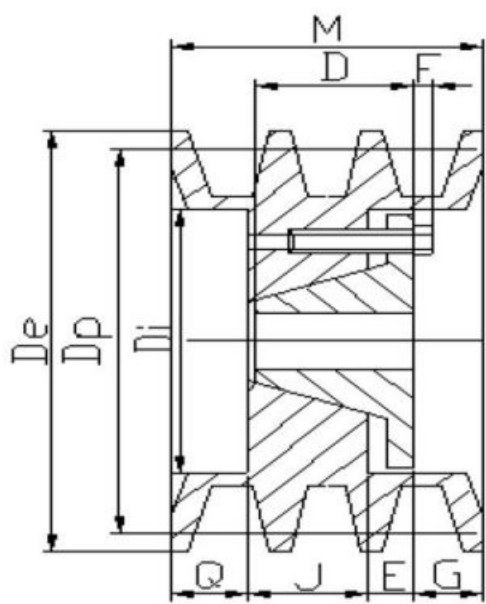
Table 10 (in.)

SIZE 规格	Diameter			Form 型号	BUSHIN G	DIMENSIONS							
	De 外径	Dp 节径				H	M	D	G	Q	J	E	F
		"A"	"B"										
2BK32H	3.35	2.60	3.00	1	H	2 13/16	1 3/4	1 1/4	7/8	1 5/16	7/8	7/16	3/16
2BK34H	3.55	2.80	3.20	1	H	2 13/16	1 3/4	1 1/4	7/8	1 5/16	7/8	7/16	3/16
2BK36H	3.75	3.00	3.40	1	H	2 3/8	1 3/4	1 1/4	7/16	7/8	7/8	7/16	3/16
2BK40H	3.95	3.20	3.60	1	H	2 3/8	1 3/4	1 1/4	7/16	7/8	7/8	7/16	3/16
2BK45H	4.25	3.50	3.90	1	H	2 3/8	1 3/4	1 1/4	7/16	7/8	7/8	7/16	3/16
2BK47H	4.45	3.70	4.10	2	H	1 3/4	1 3/4	1 1/4	7/16	-	7/8	7/16	3/16
2BK50H	4.75	4.00	4.40	2	H	1 3/4	1 3/4	1 1/4	7/16	-	7/8	7/16	3/16
2BK52H	4.95	4.20	4.60	2	H	1 3/4	1 3/4	1 1/4	7/16	-	7/8	7/16	3/16
2BK55H	5.25	4.50	4.90	2	H	1 3/4	1 3/4	1 1/4	7/16	-	7/8	7/16	3/16
2BK57H	5.45	4.70	5.10	2	H	1 3/4	1 3/4	1 1/4	7/16	-	7/8	7/16	3/16
2BK60H	5.75	5.00	5.40	2	H	1 3/4	1 3/4	1 1/4	7/16	-	7/8	7/16	3/16
2BK62H	5.95	5.20	5.60	2	H	1 3/4	1 3/4	1 1/4	7/16	-	7/8	7/16	3/16
2BK65H	6.25	5.50	5.90	3	H	1 3/4	1 3/4	1 1/4	7/16	1/4	7/8	7/16	3/16
2BK67H	6.45	5.70	6.10	3	H	1 3/4	1 3/4	1 1/4	7/16	1/4	7/8	7/16	3/16
2BK70H	6.75	6.00	6.40	3	H	1 3/4	1 3/4	1 1/4	7/16	1/4	7/8	7/16	3/16
2BK80H	7.75	7.00	7.40	3	H	1 3/4	1 3/4	1 1/4	7/16	1/4	7/8	7/16	3/16
2BK90H	8.75	8.00	8.40	3	H	1 3/4	1 3/4	1 1/4	7/16	1/4	7/8	7/16	3/16
2BK100H	9.75	9.00	9.40	3	H	1 3/4	1 3/4	1 1/4	7/16	1/4	7/8	7/16	3/16
2BK110H	10.75	10.00	10.40	3	H	1 3/4	1 3/4	1 1/4	7/16	1/4	7/8	7/16	3/16
2BK120H	11.75	11.00	11.40	3	H	1 3/4	1 3/4	1 1/4	7/16	1/4	7/8	7/16	3/16
2BK130H	12.75	12.00	12.40	3	H	1 3/4	1 3/4	1 1/4	7/16	1/4	7/8	7/16	3/16
2BK140H	13.75	13.00	13.40	3	H	1 3/4	1 3/4	1 1/4	7/16	1/4	7/8	7/16	3/16
2BK160H	15.75	15.00	15.40	3	H	1 3/4	1 3/4	1 1/4	7/16	1/4	7/8	7/16	3/16
2BK190H	18.75	18.00	18.40	3	H	1 3/4	1 3/4	1 1/4	7/16	1/4	7/8	7/16	3/16

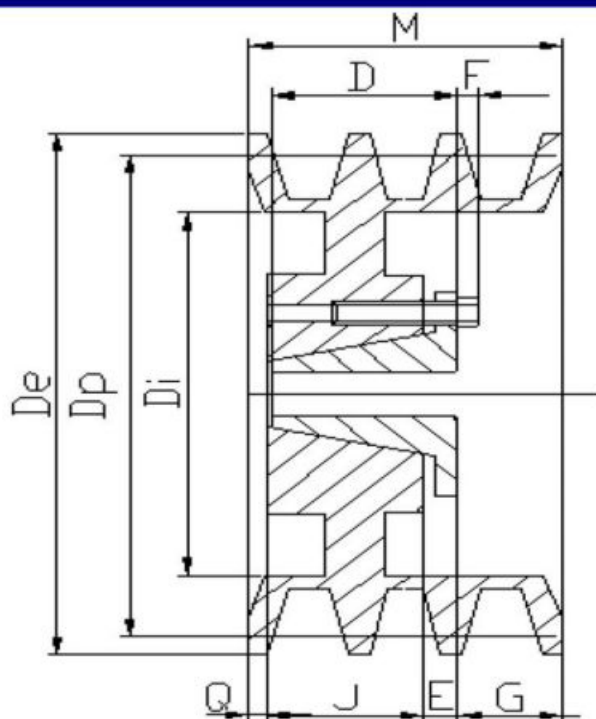


**QD SHEAVES**

**QD孔皮带轮**



**Form 2**



**Form 3**

for "4L" or "A" Belts and "5L" or "B" Belts  
与"4L","A"和"5L","B"型号皮带配合使用

**3BK45H TO 3BK190H**

Table 11 (in.)

SIZE 规格	DIAMETER				Form 型号	BUSHIN G	DIMENSIONS						
	De 外径	Di	Dp 节径				M	D	G	Q	J	E	F
			"A"	"B"									
3BK45H	4.25	2 5/8	3.50	3.90	2	H	2 1/2	1 1/4	1/2	11/16	7/8	7/16	3/16
3BK47H	4.45	2 11/16	3.70	4.10	2	H	2 1/2	1 1/4	1/2	11/16	7/8	7/16	3/16
3BK50H	4.75	3	4.00	4.40	2	H	2 1/2	1 1/4	1/2	11/16	7/8	7/16	3/16
3BK52H	4.95	3 3/16	4.20	4.60	2	H	2 1/2	1 1/4	1/2	11/16	7/8	7/16	3/16
3BK55H	5.25	3 1/2	4.50	4.90	2	H	2 1/2	1 1/4	1/2	11/16	7/8	7/16	3/16
3BK57H	5.45	3 11/16	4.70	5.10	2	H	2 1/2	1 1/4	1/2	11/16	7/8	7/16	3/16
3BK60H	5.75	4	5.00	5.40	3	H	2 1/2	1 1/4	1/2	11/16	7/8	7/16	3/16
3BK62H	5.95	4 3/16	5.20	5.60	3	H	2 1/2	1 1/4	1/2	11/16	7/8	7/16	3/16
3BK65H	6.25	4 1/2	5.50	5.90	3	H	2 1/2	1 1/4	29/32	9/32	7/8	7/16	3/16
3BK67H	6.45	4 11/16	5.70	6.10	3	H	2 1/2	1 1/4	29/32	9/32	7/8	7/16	3/16
3BK70H	6.75	5	6.00	6.40	3	H	2 1/2	1 1/4	29/32	9/32	7/8	7/16	3/16
3BK80H	7.75	6	7.00	7.40	3	H	2 1/2	1 1/4	27/32	11/32	7/8	7/16	3/16
3BK90H	8.75	7	8.00	8.40	3	H	2 1/2	1 1/4	27/32	11/32	7/8	7/16	3/16
3BK100H	9.75	8	9.00	9.40	3	H	2 1/2	1 1/4	27/32	11/32	7/8	7/16	3/16
3BK110H	10.75	9	10.00	10.40	3	H	2 1/2	1 1/4	27/32	11/32	7/8	7/16	3/16
3BK120H	11.75	10	11.00	11.40	3	H	2 1/2	1 1/4	27/32	11/32	7/8	7/16	3/16
3BK130H	12.75	11	12.00	12.40	3	H	2 1/2	1 1/4	25/32	13/32	7/8	7/16	3/16
3BK140H	13.75	12	13.00	13.40	3	H	2 1/2	1 1/4	25/32	13/32	7/8	7/16	3/16
3BK160H	15.75	14	15.00	15.40	3	H	2 1/2	1 1/4	25/32	13/32	7/8	7/16	3/16
3BK190H	18.75	17	18.00	18.40	3	H	2 1/2	1 1/4	25/32	13/32	7/8	7/16	3/16