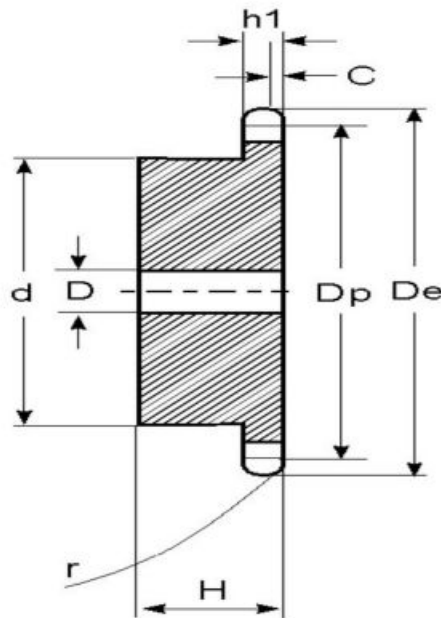




**DOUBLE PITCH SPROCKETS 1"-INCH DUPLEX -PITCH
SPROCKETS TYPE B**

Chain:

Pitch:
Internal width:
Roller dia.:



Sprocket:

Tooth radius r:
Radius width C:
Tooth width h1:
Tooth width L:
Tooth width h2:
Tooth width h3:
Full high H: -

CONVEYOR OR DRIVE SERIES-STANDARD ROLLER

DUPLEX PITCH-2040/C2040

Teeth	De	Dp	D	d	H	TYPE
11	2	1.852	1/2	1 3/8★	7/8	B
12	2.17	2	1/2	1 9/16★	7/8	B
13	2.33	2.152	1/2	1 9/16★	7/8	B
14	2.49	2.305	1/2	1 11/16★	7/8	B
15	2.65	2.458	5/8	1 23/32	7/8	B
16	2.81	2.613	5/8	1 7/8	7/8	B
17	2.98	2.768	5/8	2 3/64	1	B
18	3.14	2.924	5/8	2 7/32	1	B
19	3.3	3.08	5/8	2 3/8	1	B
20	3.46	3.236	5/8	2 35/64	1	B
21	3.62	3.392	5/8	2 45/64	1	B
22	3.78	3.549	5/8	2 7/8	1	B
23	3.94	3.706	5/8	3	1	B
24	4.1	3.864	5/8	3 1/4	1	B
25	4.26	4.021	5/8	3 1/4	1	B
26	4.42	4.179	5/8	3 1/4	1	B
28	4.74	4.494	5/8	3 1/4	1	B
30	5.06	4.81	5/8	3 1/4	1	B

CONVEYOR SERIES-CARRIER ROLLER

DUPLEX PITCH-2042/C2042

Teeth	De	Dp	D	d	H	TYPE
8	3.01	2.613	5/8	1 7/8	7/8	B
9	3.35	2.924	5/8	2 7/32	7/8	B
10	3.68	3.236	5/8	2 35/64	1	B
11	4	3.549	5/8	2 5/8	1	B
12	4.33	3.864	5/8	3 1/16	1	B
13	4.66	4.179	5/8	3 1/4	1	B
14	4.98	4.494	5/8	3 1/4	1	B
15	5.3	4.81	5/8	3 1/4	1	B
16	5.63	5.126	5/8	3 1/4	1	B
17	5.95	5.442	5/8	3 1/4	1	B
18	6.27	5.759	5/8	3 1/4	1	B
19	6.59	6.076	5/8	3 1/4	1	B
20	6.91	6.392	3/4	1 1/8	1 1/8	B
21	7.24	6.71	3/4	1 1/8	1 1/8	B
22	7.56	7.027	3/4	1 1/8	1 1/8	B
23	7.88	7.344	3/4	1 1/8	1 1/8	B
24	8.2	7.661	3/4	1 1/8	1 1/8	B
25	8.52	7.979	3/4	1 1/8	1 1/8	B
26	8.84	8.296	3/4	1 1/8	1 1/8	B
28	9.48	8.931	3/4	1 1/8	1 1/8	B
30	10.11	9.567	3/4	1 1/8	1 1/8	B

Note:★has recessed groove in hub for chain clearance



**DOUBLE PITCH SPROCKETS 1 1/4"-INCH DUPLEX -PITCH
SPROCKETS TYPE B**

Chain:

Pitch:

Internal width:

Roller dia.:

Sprocket:

Tooth radius r:

Radius width C:

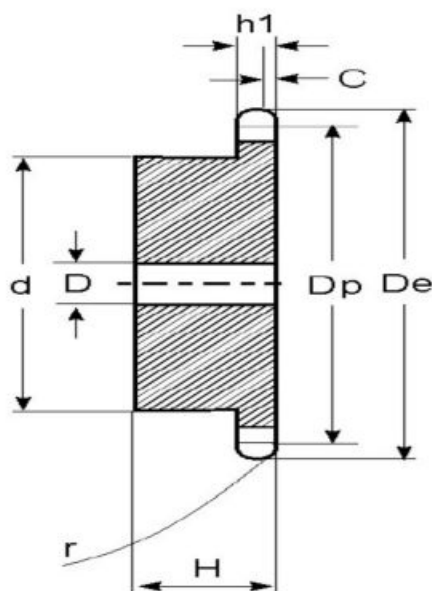
Tooth width h1:

Tooth width L:

Tooth width h2:

Tooth width h3:

Full high H: -



**CONVEYOR OR DRIVE SERIES-STANDARD ROLLER
DUPLEX PITCH-2050/C2050**

Teeth	De	Dp	D	d	H	TYPE
11	2.5	2.315	5/8	1 3/4★	1	B
12	2.71	2.5	5/8	1 63/64	1	B
13	2.91	2.69	5/8	1 23/64	1	B
14	3.11	2.881	5/8	1 15/16	1	B
15	3.32	3.073	5/8	2 5/32	1	B
16	3.52	3.266	5/8	2 23/64	1	B
17	3.72	3.46	5/8	2 9/16	1	B
18	3.92	3.655	5/8	2 25/32	1	B
19	4.12	3.85	5/8	2 63/64	1	B
20	4.32	4.045	3/4	3	1	B
21	4.52	4.241	3/4	3	1	B
22	4.72	4.437	3/4	3	1	B
23	4.92	4.633	3/4	3	1	B
24	5.12	4.83	3/4	3	1 1/4	B
25	5.32	5.026	3/4	3	1 1/4	B
26	5.52	5.223	3/4	3	1 1/4	B
28	5.92	5.617	3/4	3	1 1/4	B
30	6.32	6.012	3/4	3 1/4	1 1/4	B

**CONVEYOR SERIES-CARRIER ROLLER
DUPLEX PITCH-2052/C2052**

Teeth	De	Dp	D	d	H	TYPE
8	3.77	3.266	5/8	2 23/64	1	B
9	4.19	3.655	5/8	2 25/64	1	B
10	4.6	4.045	5/8	3	1	B
11	5.01	4.437	5/8	3	1	B
12	5.42	4.83	3/4	3	1 1/4	B
13	5.82	5.223	3/4	3	1 1/4	B
14	6.23	5.617	3/4	3	1 1/4	B
15	6.63	6.012	3/4	3 1/4	1 1/4	B
16	7.03	6.407	3/4	3 1/4	1 1/4	B
17	7.44	6.803	3/4	3 1/4	1 1/4	B
18	7.84	7.198	3/4	3 1/4	1 1/4	B
19	8.24	7.595	3/4	3 1/4	1 1/4	B
20	8.64	7.991	3/4	3 1/4	1 1/4	B
21	9.04	8.387	3/4	3 1/4	1 1/4	B
22	9.44	8.783	3/4	3 1/4	1 1/4	B
23	9.85	9.18	1	3 3/4	1 1/4	B
24	10.25	9.577	15/16	3 3/4	1 1/4	B
25	10.65	9.973	15/16	3 3/4	1 1/4	B
26	11.05	10.37	15/16	3 3/4	1 1/4	B
28	11.84	11.164	15/16	3 3/4	1 1/4	B
30	12.64	11.958	15/16	3 3/4	1 1/4	B

Note:★has recessed groove in hub for chain clearance



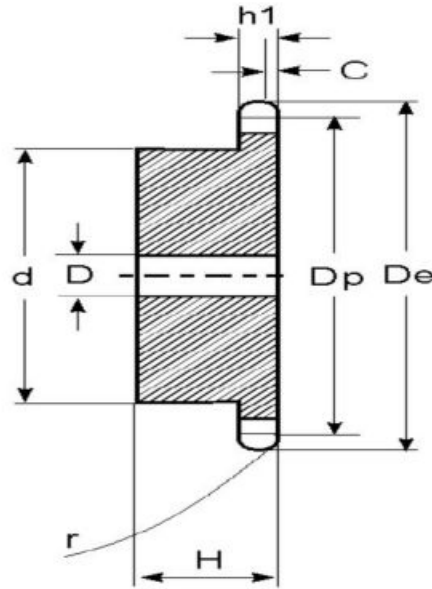
**DOUBLE PITCH SPROCKETS 1 1/2"-INCH DUPLEX -PITCH
SPROCKETS TYPE B**

Chain:

Pitch:

Internal width:

Roller dia.:



Sprocket:

Tooth radius r:

Radius width C:

Tooth width h1:

Tooth width L:

Tooth width h2:

Tooth width h3:

Full high H: -

**CONVEYOR OR DRIVE SERIES-STANDARD ROLLER
DUPLEX PITCH-2060/C2060**

Teeth	De	Dp	D	d	H	TYPE
11	3	2.773	3/4	2 1/16★	1 1/4	B
12	3.25	3	3/4	2 3/8★	1 1/4	B
13	3.49	3.228	3/4	2 5/64	1 1/4	B
14	3.74	3.457	3/4	2 21/64	1 1/4	B
15	3.98	3.688	3/4	2 19/32	1 1/4	B
16	4.22	3.92	3/4	2 27/32	1 1/4	B
17	4.46	4.152	3/4	2 3/32	1 1/4	B
18	4.7	4.386	3/4	2 11/32	1 1/4	B
19	4.94	4.62	3/4	3 1/2	1 1/4	B
20	5.19	4.854	3/4	3 7/8	1 1/4	B
21	5.43	5.089	3/4	4	1 1/4	B
22	5.67	5.324	3/4	4	1 1/4	B
23	5.91	5.56	3/4	4	1 1/4	B
24	6.15	5.796	3/4	4	1 1/4	B
25	6.39	6.032	3/4	4	1 1/4	B
26	6.63	6.268	3/4	4	1 1/4	B
28	7.11	6.741	3/4	4	1 1/4	B
30	7.59	7.215	3/4	4	1 1/4	B

**CONVEYOR SERIES-CARRIER ROLLER
DUPLEX PITCH-2062/C2062**

Teeth	De	Dp	D	d	H	TYPE
8	4.52	3.92	3/4	2 27/32	1 1/4	B
9	5.02	4.386	3/4	2 11/32	1 1/4	B
10	5.52	4.854	3/4	2 53/64	1 1/4	B
11	6.01	5.324	3/4	4	1 1/4	B
12	6.5	5.796	3/4	4	1 1/4	B
13	6.99	6.268	3/4	4	1 1/4	B
14	7.47	6.741	3/4	4	1 1/4	B
15	7.96	7.215	3/4	4	1 1/4	B
16	8.44	7.689	3/4	4	1 1/4	B
17	8.92	8.163	1	4	1 1/4	B
18	9.41	8.638	1	4	1 1/4	B
19	9.89	9.113	1	4 1/4	1 1/4	B
20	10.37	9.589	15/16	4 1/4	1 1/4	B
21	10.85	10.064	15/16	4 1/4	1 1/4	B
22	11.33	10.54	15/16	4 1/4	1 1/4	B
23	11.81	11.016	15/16	4 1/4	1 1/4	B
24	12.29	11.492	15/16	4 1/4	1 1/4	B
25	12.77	11.968	15/16	4 1/4	1 1/4	B
26	13.25	12.444	15/16	4 1/4	1 3/4	B
28	14.21	13.397	1 1/4	4 1/4	1 3/4	B
30	15.17	14.35	1 1/4	4 1/4	1 3/4	B

Note:★has recessed groove in hub for chain clearance



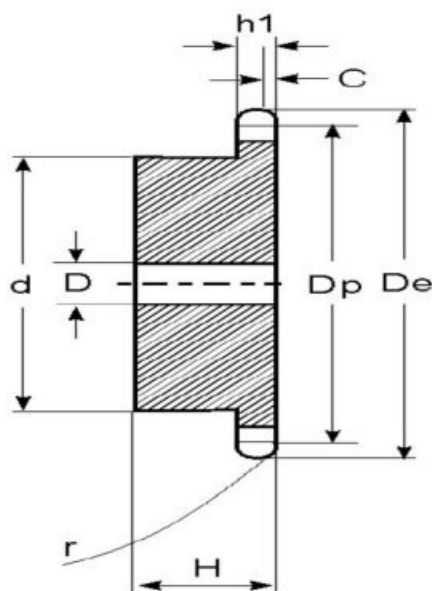
**DOUBLE PITCH SPROCKETS 2"-INCH DUPLEX -PITCH
SPROCKETS TYPE B**

Chain:

Pitch:

Internal width:

Roller dia.:



Sprocket:

Tooth radius r:

Radius width C:

Tooth width h1:

Tooth width L:

Tooth width h2:

Tooth width h3:

Full high H: -

CONVEYOR OR DRIVE SERIES-STANDARD ROLLER

DUPLEX PITCH-2080/C2080

Teeth	De	Dp	D	d	H	TYPE
11	4.01	3.694	1	2 13/16★	1 5/8	B
12	4.33	4	1	2 1/8★	1 5/8	B
13	4.66	4.304	1	2 25/32	1 1/2	B
14	4.98	4.61	1	3 1/8	1 1/2	B
15	5.3	4.917	1	3 29/64	1 1/2	B
16	5.63	5.226	1	3 51/64	1 1/2	B
17	5.95	5.536	1	4	1 1/2	B
18	6.27	5.848	1	4 1/4	1 1/2	B
19	6.59	6.16	1	4 1/4	1 1/2	B
20	6.91	6.472	1	4 1/4	1 1/2	B
21	7.23	6.785	1	4 1/4	1 3/4	B
22	7.56	7.099	1	4 1/4	1 3/4	B
23	7.88	7.413	1	4 1/4	1 3/4	B
24	8.2	7.727	1	4 1/4	1 3/4	B
25	8.52	8.042	1	4 1/4	1 3/4	B
26	8.84	8.357	1 1/4	4 3/4	2	B
28	9.48	8.988	1 3/16	4 3/4	2	B
30	10.11	9.62	1 3/16	4 3/4	2	B

CONVEYOR SERIES-CARRIER ROLLER

DUPLEX PITCH-2082/C2082

Teeth	De	Dp	D	d	H	TYPE
8	6.03	5.226	1	3 51/64	1 3/4	B
9	6.7	5.848	1	4 1/4	1 3/4	B
10	7.36	6.472	1	4 1/4	1 3/4	B
11	8.01	7.099	1	4 1/4	1 3/4	B
12	8.66	7.727	1	4 1/4	1 3/4	B
13	9.31	8.357	1 1/4	4 3/4	2	B
14	9.96	8.988	1 1/4	4 3/4	2	B
15	10.61	9.62	1 3/16	4 3/4	2	B
16	11.25	10.252	1 3/16	4 3/4	2	B
17	11.9	10.885	1 3/16	4 3/4	2	B
18	12.54	11.518	1 3/16	4 3/4	2	B
19	13.19	12.151	1 3/16	4 3/4	2	B
20	13.83	12.785	1 3/16	4 3/4	2	B
21	14.47	13.419	1 1/4	4 3/4	2	B
22	15.11	14.053	1 1/4	4 3/4	2	B
23	15.75	14.688	1 1/4	4 3/4	2	B
24	16.39	15.323	1 1/4	4 3/4	2	B
25	17.03	15.958	1 1/4	4 3/4	2	B
26	17.67	16.593	1 1/4	5 1/4	2	B
28	18.95	17.863	1 1/4	5 1/4	2	B
30	20.23	19.134	1 1/4	5 1/4	2	B