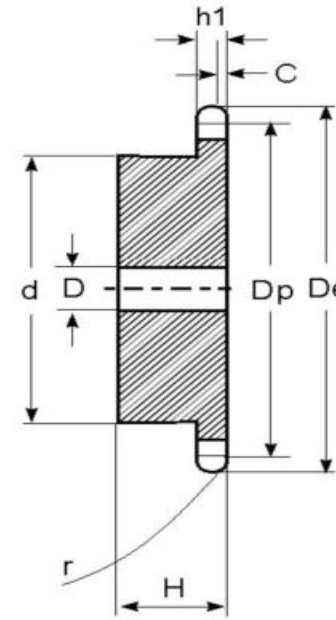




SPROCKETS FOR CHAIN 25-1
SPROCKETS TYPE B

Chain: Pitch : 6.35mm
Internal width : 3.18mm
Roller dia.: 3.3mm

Sprocket: Tooth radius r:
Radius width C:
Tooth width h1:
Tooth width L:
Tooth width h2:
Tooth width h3:
Full high H: -



Teeth	De	Simplex			Type
		d	D	H	
9	0.837	7/16	1/4	1/2	B
10	0.919	1/2	1/4	1/2	B
11	1.002	9/16	1/4	1/2	B
12	1.083	5/8	1/4	1/2	B
13	1.167	23/32	1/4	1/2	B
14	1.246	13/16	1/4	1/2	B
15	1.326	57/64	1/4	1/2	B
16	1.407	31/32	1/4	1/2	B
17	1.487	1 1/32	1/4	1/2	B
18	1.568	1 1/8	1/4	1/2	B
19	1.648	1 7/32	1/4	1/2	B
20	1.729	1 8/32	1/4	5/8	B
21	1.809	1 3/8	1/4	5/8	B
22	1.889	1 7/16	1/4	5/8	B
23	1.969	1 1/2	1/4	5/8	B
24	2.049	1 1/2	3/8	5/8	B
25	2.129	1 1/2	3/8	5/8	B
26	2.209	1 1/2	3/8	5/8	B
28	2.369	1 1/2	3/8	5/8	B
30	2.529	1 1/2	3/8	5/8	B
32	2.688	1 1/2	3/8	5/8	B
36	3.008	1 1/2	3/8	3/4	B
40	3.327	2	1/2	3/4	B
45	3.725	2	1/2	3/4	B
48	3.964	2	1/2	3/4	B
54	4.442	2	1/2	3/4	B
60	4.92	2	1/2	3/4	B
70	5.717	2	1/2	3/4	B
72	5.876	2	1/2	3/4	B

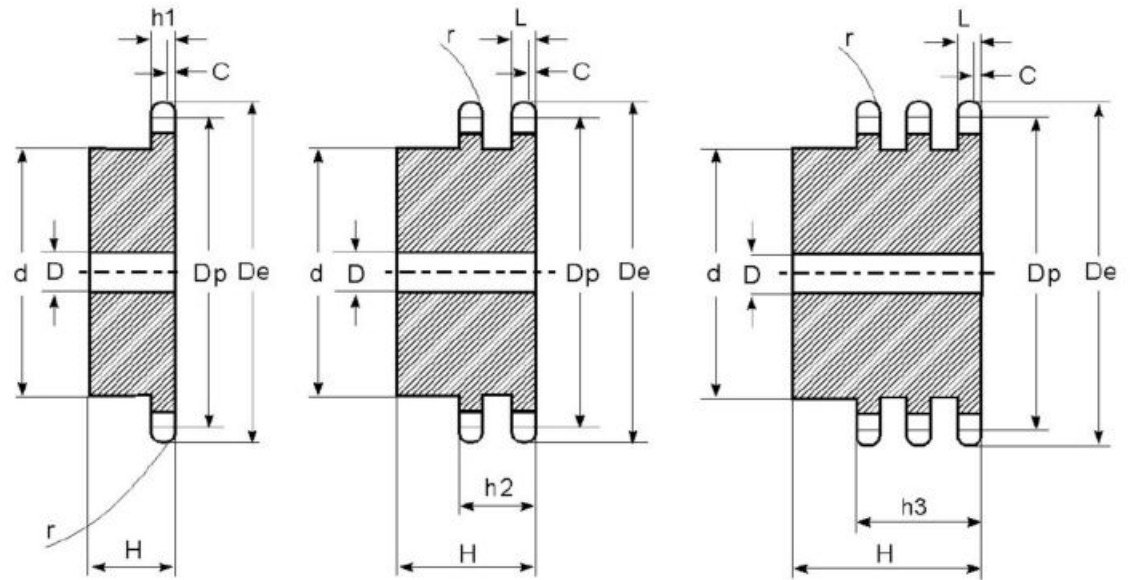


SPROCKETS FOR CHAIN 40-1 / 40-2 / 40-3 (1/2"Pitch)

SPROCKETS TYPE B

Chain: Pitch: 12.7mm
Internal width : 7.85mm
Roller dia. : 7.92mm

Sprocket: Tooth radius:
Radius width C:
Tooth width h1:
Tooth width L:
Tooth width h2:
Tooth width h3:
Full high H: -



Note: Triplex 40 stock sprockets with 25 teeth or less have hardened Teeth

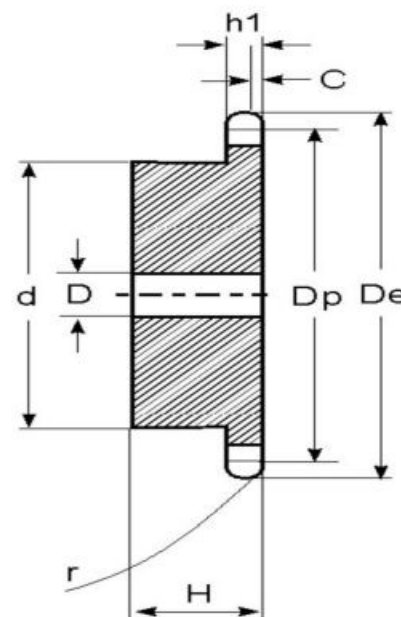
Teeth	De	Simplex			Type	Duplex			Type	Triplex			Type
		d	D	H		d	D	H		d	D	H	
51	8.41	3 1/2	3/4	1 1/8	B								
52	8.57	3 1/2	3/4	1 1/8	B	3 3/4	15/16	1 3/4	B	3 3/4	15/16	2 3/8	B
55	9.04	3 1/2	3/4	1 1/8	B								
56	9.2	3 1/2	3/4	1 1/8	B								
57	9.36	3 1/2	3/4	1 1/8	B								
58	9.52	3 1/2	3/4	1 1/8	B								
59	9.68	3 1/2	3/4	1 1/8	B								
60	9.84	3 1/2	3/4	1 1/8	B	3 3/4	15/16	1 3/4	B	3 3/4	15/16	2 3/8	B
68	11.12					4 1/4	1 3/16	2 1/8	B	4	1 3/16	2 5/8	B
70	11.43	4	3/4	1 1/4	B								
72	11.75	4	3/4	1 1/4	B	4 1/4	1 3/16	2 1/8	B	4	1 3/16	2 5/8	B
76	12.39					4 1/4	1 3/16	2 1/8	B	4	1 3/16	2 5/8	B
80	13.03	4	3/4	1 1/4	B								
84	13.66	4	3/4	1 1/4	B	4 1/4	13.66	2 1/8	B	4 1/4	1 3/16	2 3/4	B
95	15.41					4 1/4	1 3/16	2 1/8	B	4 1/4	1 3/16	2 3/4	B
96	15.57	4	1	1 1/4	B	4 1/4	1 3/16	2 1/8	B				
102	16.53					4 1/4	1 3/16	2 1/8	B	4 1/4	1 3/16	2 3/4	B
112	18.12	4	1	1 1/4	B	4 1/4	1 3/16	2 1/8	B				



SPROCKETS FOR CHAIN 41-1 (1/2"Pitch)
SPROCKETS TYPE B

Chain: Pitch:
Internal width:
Roller dia.:

Sprocket: Tooth radius r:
Radius width C:
Tooth width h1:
Tooth width L:
Tooth width h2:
Tooth width h3:
Full high H: -



Teeth	De	Simplex			Type
		d	D	H	
6	1.17	21/32★	3/8	7/8	B
7	1.34	3/4★	3/8	7/8	B
8	1.51	63/64★	1/2	7/8	B
9	1.67	1 1/8★	1/2	7/8	B
10	1.84	1 1/4★	1/2	7/8	B
11	2	1 7/16★	1/2	7/8	B
12	2.17	1 9/16★	1/2	7/8	B
13	2.33	1 9/16	1/2	7/8	B
14	2.49	1 3/4	1/2	7/8	B
15	2.65	1 29/32	1/2	7/8	B
16	2.81	2 1/16	5/8	7/8	B
17	2.98	2 15/64	5/8	1	B
18	3.14	2 3/8	5/8	1	B
19	3.3	2 15/32	5/8	1	B
20	3.46	2 3/4	5/8	1	B
21	3.62	2 7/8	5/8	1	B
22	3.78	3	5/8	1	B
23	3.94	3 3/16	5/8	1	B
24	4.1	3 1/4	5/8	1	B
25	4.26	3 1/4	5/8	1	B
26	4.42	3 1/4	5/8	1	B
27	4.58	3 1/4	5/8	1	B
28	4.74	3 1/4	5/8	1	B
30	5.06	3 1/4	5/8	1	B
32	5.38	3 1/4	5/8	1	B
35	5.86	3 1/4	5/8	1	B
36	6.02	3 1/4	5/8	1	B
40	6.65	3 1/4	3/4	1 1/16	B
42	6.97	3 1/2	3/4	1 1/16	B
45	7.45	3 1/2	3/4	1 1/16	B
48	7.93	3 1/2	3/4	1 1/16	B
54	8.89	3 1/2	3/4	1 1/16	B
60	9.84	3 1/2	3/4	1 1/16	B
70	11.43	4	3/4	1 3/16	B
72	11.75	4	3/4	1 3/16	B
80	13.03	4	3/4	1 3/16	B
84	13.66	4	3/4	1 3/16	B
96	15.57	4	1	1 3/16	B
112	18.12	4	1	1 3/16	B

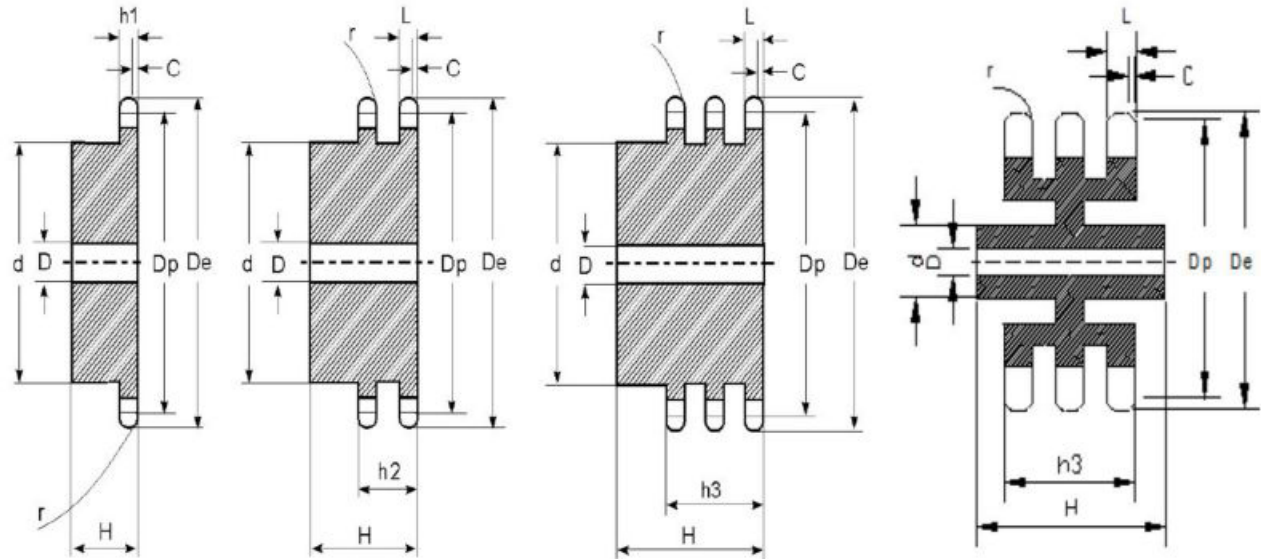


SPROCKETS FOR CHAIN 50-1/50-2/50-3 (5/8"Pitch)
SPROCKETS TYPE B & TYPE C

Chain: Pitch: 15.875mm
Internal width: 9.4
Roller dia.: 10.16

Sprocket: Tooth radius r:
Radius width C:
Tooth width h1:
Tooth width L:
Tooth width h2:
Tooth width h3:

Full high H: -



Note: Duplex and Triplex 50 stock sprockets with 25 teeth or less have hardened Teeth

Teeth	De	Simplex			Type	Duplex			Type	Triplex			Type
		d	D	H		d	D	H		d	D	H	
51	10.51	3 3/4	1	1 1/4	B								
52	10.71	3 3/4	1	1 1/4	B	4 1/4	1 3/16	2 3/8	B	4	1 3/16	3 1/8	B
53	10.91	3 3/4	1	1 1/4	B								
54	11.11	3 3/4	1	1 1/4	B	4 1/4	1 3/16	2 3/8	B				
55	11.31	3 3/4	1	1 1/4	B								
56	11.5	3 3/4	1	1 1/4	B								
57	11.7	3 3/4	1	1 1/4	B								
58	11.9	3 3/4	1	1 1/4	B								
59	12.1	3 3/4	1	1 1/4	B								
60	12.3	3 3/4	1	1 1/4	B	4 1/2	1 5/16	2 3/8	B	4 1/2	1 5/16	3 1/8	B
68	13.89					4 1/2	1 5/16	2 3/8	B	4 1/2	1 5/16	3 1/8	B
70	14.29	3 3/4	1	1 3/4	B								
72	14.69	3 3/4	1	1 3/4	B	4 1/2	1 5/16	2 3/8	B	4 3/4	1 5/16	3 1/2	B&C
76	15.486	3 3/4	1	1 3/4	B	4 1/2	1 5/16	2 3/8	B	4 3/4	1 5/16	3 1/2	B&C
80	16.28	4 1/4	1	1 3/4	B								
84	17.08	4 1/4	1	1 3/4	B	4 1/2	1 5/16	2 3/8	B	4 3/4	1 5/16	3 1/2	B&C
95	19.27	4 1/4	1	1 3/4	B	4 1/2	1 5/16	2 3/8	B	4 3/4	1 5/16	3 3/4	B&C
96	19.47	4 1/4	1	1 3/4	B	4 1/2	1 5/16	2 3/8	B				
102	20.66					4 1/2	1 5/16	2 3/8	B	4 3/4	1 5/16	3 3/4	B&C
112	22.65	4 1/4	1	1 3/4	B	5 1/4	1 5/16	2 3/8	B				



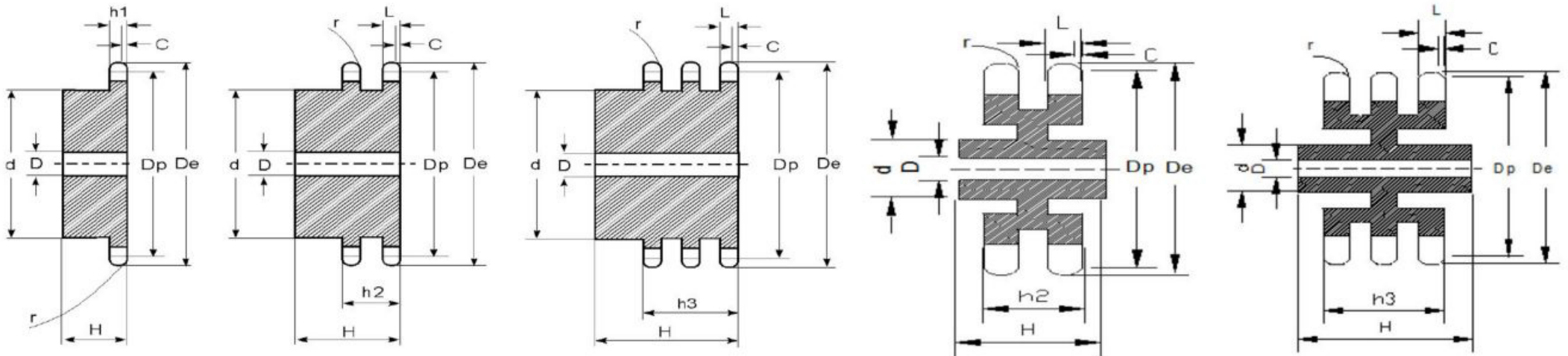
SPROCKETS FOR CHAIN 60-1/60-2/60-3 (3/4"Pitch)
SPROCKETS TYPE B & TYPE C

Chain: Pitch: 19.05mm
Internal width: 12.57
Roller dia.: 11.91

Sprocket: Tooth radius r:
Radius width C:
Tooth width h1:
Tooth width L:
Tooth width h2:
Tooth width h3:

Note: Duplex and Triplex 60 stock sprockets with 25 teeth or less have hardened Teeth

Full high H: -



Teeth	De	Simplex			Type	Duplex			Type	Triplex			Type
		d	D	H		d	D	H		d	D	H	
8	2.26	1 15/32★	5/8	1 1/4	B								
9	2.51	1 9/16★	3/4	1 1/4	B								
10	2.76	1 15/16★	3/4	1 1/4	B								
11	3	2 1/16★	3/4	1 1/4	B	1 13/16	1	2 1/8	B	1 13/16	1	3	B
12	3.25	2 3/8★	3/4	1 1/4	B	2 1/8	1	2 1/8	B	2 1/8	1	3	B
13	3.49	2 11/32	3/4	1 1/4	B	2 1/4	1	2 1/8	B	2 1/4	1	3	B
14	3.74	2 9/16	3/4	1 1/4	B	2 1/2	1	2 1/8	B	2 1/2	1	3	B
15	3.98	2 7/8	3/4	1 1/4	B	2 13/16	1	2 1/8	B	2 13/16	1	3	B
16	4.22	3 1/16	3/4	1 1/4	B	3	1	2 1/8	B	3	1	3	B
17	4.46	3 1/4	3/4	1 1/4	B	3 1/4	1	2 1/8	B	3 1/4	1	3	B
18	4.7	3 1/2	3/4	1 1/4	B	3 1/2	1	2 1/8	B	3 1/2	1	3	B
19	4.95	3 1/2	3/4	1 1/4	B	3 11/16	1	2 1/8	B	3 11/16	1	3	B
20	5.19	3 7/8	3/4	1 1/4	B	3 3/4	1	2 1/8	B	3 3/4	1	3	B
21	5.43	4	3/4	1 1/4	B	4 1/8	1	2 1/8	B	4 1/8	1	3	B
22	5.67	4	3/4	1 1/4	B	4 1/4	1	2 1/8	B	4 1/4	1	3	B
23	5.91	4	3/4	1 1/4	B	4 1/4	1	2 1/8	B	4 1/4	1	3	B
24	6.15	4	3/4	1 1/4	B	4 1/4	1	2 1/8	B	4 1/4	1	3	B
25	6.39	4	3/4	1 1/4	B	4 1/4	1	2 1/8	B	4 1/4	1	3	B
26	6.63	4	3/4	1 1/4	B	4 1/4	1	2 1/8	B	4 1/4	1	3	B
27	6.87	4	3/4	1 1/4	B								
28	7.11	4	3/4	1 1/4	B								
29	7.35	4	3/4	1 1/4	B								
30	7.59	4	3/4	1 1/4	B	4 1/4	1	2 1/8	B	4 1/4	1	3	B
31	7.83	4	3/4	1 1/4	B								
32	8.07	4	3/4	1 1/4	B	4 1/2	1 1/4	2 3/8	B				
33	8.3	4	1	1 1/4	B								
34	8.54	4	1	1 1/4	B								
35	8.78	4	1	1 1/4	B	4 1/2	1 1/4	2 3/8	B	4 1/2	1 1/4	3 1/4	B
36	9.02	4	1	1 1/4	B	4 1/2	1 1/4	2 3/8	B	4 1/2	1 1/4	3 1/4	B
37	9.26	4	1	1 1/4	B								
38	9.5	4 1/4	1	1 1/4	B								
39	9.74	4 1/4	1	1 1/4	B								
40	9.98	4 1/4	1	1 1/4	B	4 3/4	1 1/4	2 3/4	B				
41	10.22	4 1/4	1	1 1/4	B								
42	10.46	4 1/4	1	1 1/4	B	4 3/4	1 1/4	2 3/4	B	4 3/4	1 1/4	3 5/8	B



SPROCKETS FOR CHAIN 80-1/80-2/80-3 (1"Pitch)

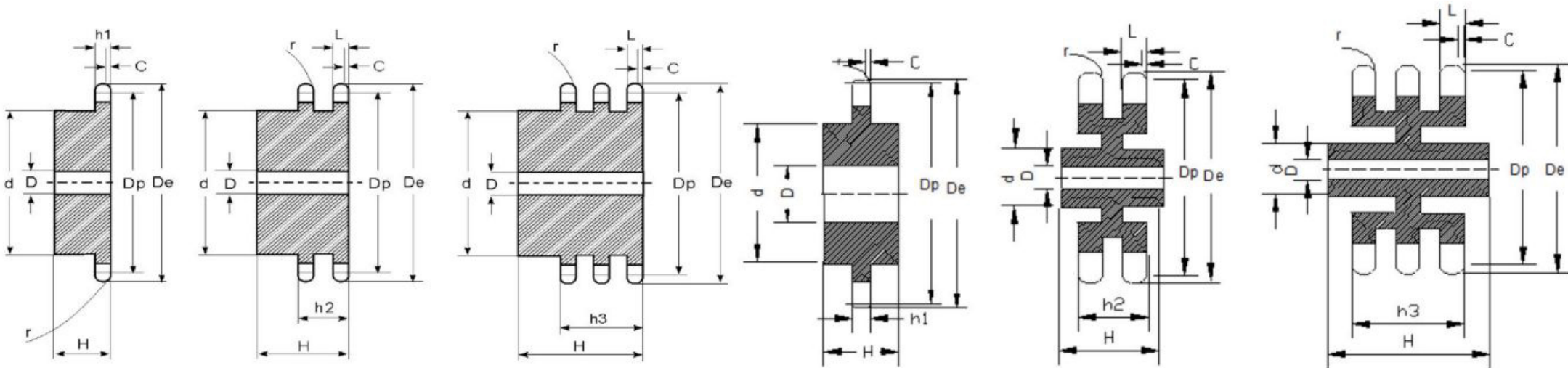
SPROCKETS TYPE B & TYPE C

Chain: Pitch: 25.4mm
Internal width: 15.75
Roller dia.: 15.88

Sprocket: Tooth radius r:
Radius width C:
Tooth width h1:
Tooth width L:
Tooth width h2:
Tooth width h3:

Note: Duplex 80 stock sprockets with 25 teeth or less have hardened Teeth

Full high H: -



Teeth	De	Simplex			Type	Duplex			Type	Triplex			Type
		d	D	H		d	D	H		d	D	H	
8	3.01	1 15/16★	1	1 5/8	B								
9	3.35	2 1/4★	1	1 5/8	B								
10	3.68	2 9/16★	1	1 5/8	B	2 9/16★	1	2 3/4	B				
11	4.01	2 13/16★	1	1 5/8	B	2 1/2	1	2 1/2	B	2 1/2	1	3 5/8	B
12	4.33	3 1/8★	1	1 5/8	B	2 27/32	1	2 1/2	B	2 27/32	1	3 5/8	B
13	4.66	3	1	1 1/2	B	3 5/32	1	2 1/2	B	3 5/32	1	3 5/8	B
14	4.98	3 1/4	1	1 1/2	B	3 15/32	1	2 1/2	B	3 15/32	1	3 5/8	B
15	5.3	3 13/16	1	1 1/2	B	3 51/64	1	2 1/2	B	3 51/64	1	3 5/8	B
16	5.63	4	1	1 1/2	B	4	1	2 3/4	B	4	1	3 7/8	B
17	5.95	4	1	1 1/2	B	4 27/64	1	2 3/4	B	4 27/64	1	3 7/8	B
18	6.27	4 1/4	1	1 1/2	B	4 47/64	1	2 3/4	B	4 47/64	1	3 7/8	B
19	6.59	4 1/4	1	1 1/2	B	5	1	2 3/4	B	5	1	3 7/8	B
20	6.91	4 1/4	1	1 1/2	B	5	1	2 3/4	B	5	1	3 7/8	B
21	7.24	4 1/4	1	1 3/4	B	5	1	2 3/4	B	5	1	3 7/8	B
22	7.56	4 1/4	1	1 3/4	B	5	1	2 3/4	B	5	1	3 7/8	B
23	7.88	4 1/4	1	1 3/4	B	5	1	2 3/4	B	5	1	3 7/8	B
24	8.2	4 1/4	1	1 3/4	B	5 1/4	1	2 3/4	B	5 1/4	1	3 7/8	B
25	8.52	4 1/4	1	1 3/4	B	5 1/4	1	3	B	5 1/4	1	3 7/8	B
26	8.84	4 3/4	1 1/4	2	B	5 1/4	1	3	B	5 1/4	1	3 7/8	B
27	9.16	4 3/4	1 1/4	2	B								
28	9.48	4 3/4	1 1/4	2	B								
29	9.8	4 3/4	1 1/4	2	B								
30	10.11	4 3/4	1 1/4	2	B	5 3/4	1 1/4	3	B	5 3/4	1 1/4	4 1/4	B
31	10.43	4 3/4	1 1/4	2	B								
32	10.75	4 3/4	1 1/4	2	B	5 3/4	1 1/4	3	B				
33	11.07	4 3/4	1 1/4	2	B								
34	11.39	4 3/4	1 1/4	2	B								
35	11.71	4 3/4	1 1/4	2	B	5 3/4	1 1/4	3	B	5 3/4	1 1/4	4 1/4	B
36	12.03	4 3/4	1 1/4	2	B	5 3/4	1 1/4	3 1/8	B	5 3/4	1 1/4	4 1/4	B
37	12.35	4 3/4	1 1/4	2	B								
38	12.67	4 3/4	1 1/4	2	B								
39	12.99	4 3/4	1 1/4	2	B								
40	13.31	4 3/4	1 1/4	2	B								
41	13.63	4 3/4	1 1/4	2	B								
42	13.94	4 3/4	1 1/4	2	B	5 3/4	1 1/4	3 1/8	B	6	1 1/4	4 1/2	B&C

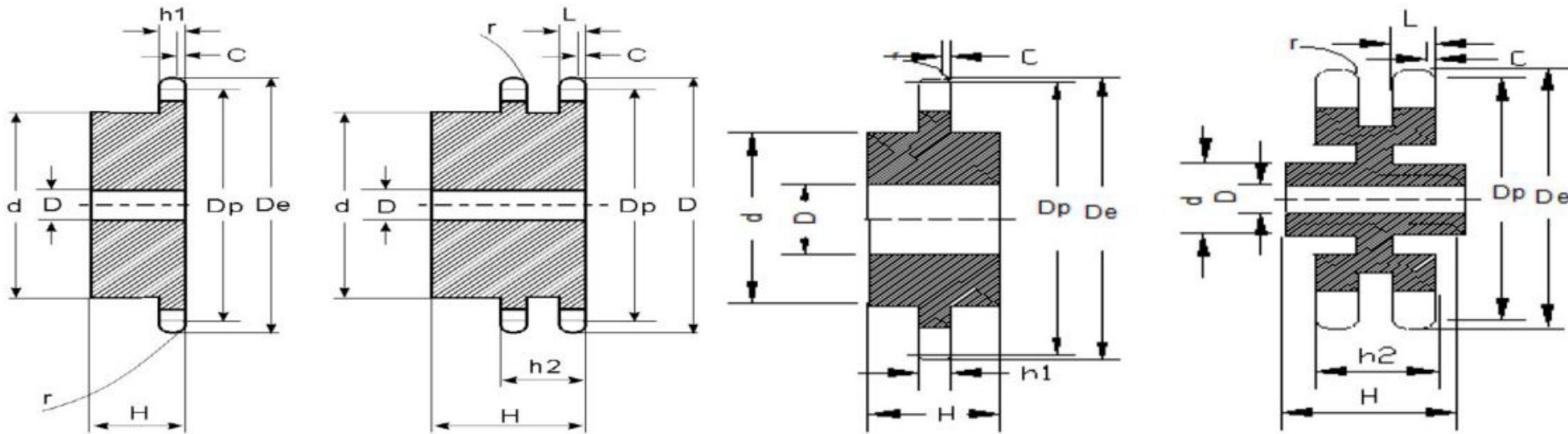


SPROCKETS FOR CHAIN 120-1/120-2 (1 1/2"Pitch)
SPROCKETS TYPE B & TYPE C

Chain: Pitch: 38.1mm
Internal width: 25.2
Roller dia.: 22.23

Sprocket: Tooth radius r:
Radius width C:
Tooth width h1:
Tooth width L:
Tooth width h2;
Tooth width h3:

Full highht :-



Teeth	De	Simplex			Type	Duplex			Type
		d	D	H		d	D	H	
9	5.02	3 3/8★	1 3/8	2 1/4	B				
10	5.52	3 3/4★	1 3/8	2 1/4	B				
11	6.01	3 9/16	1 3/8	2 1/8	B	3 9/16	1 1/2	3 3/4	B
12	6.5	4 1/8	1 3/8	2 1/8	B	4 1/16	1 1/2	3 3/4	B
13	6.99	4 9/16	1 3/8	2 1/4	B	4 1/2	1 1/2	3 3/4	B
14	7.47	4 3/4	1 3/8	2 1/4	B	5	1 1/2	3 3/4	B
15	7.96	4 3/4	1 1/4	2 3/8	B	5 1/4	1 1/2	3 3/4	B
16	8.44	5 1/4	1 1/4	2 3/8	B	5 1/4	1 1/2	3 3/4	B
17	8.92	5 1/4	1 1/4	2 3/8	B	5 1/4	1 1/2	3 3/4	B
18	9.41	5 1/4	1 1/4	2 3/8	B	5 1/4	1 1/2	3 3/4	B
19	9.89	5 1/4	1 1/4	2 3/8	B	5 1/4	1 1/2	3 3/4	B
20	10.37	5 1/4	1 1/4	2 3/8	B	5 1/2	1 1/2	3 3/4	B
21	10.85	5 1/4	1 1/4	2 3/8	B	5 1/2	1 1/2	3 3/4	B
22	11.33	5 1/4	1 1/4	2 3/8	B	5 3/4	1 1/2	4	B
23	11.81	5 1/4	1 1/4	2 3/8	B	6 1/2	1 1/2	4	B
24	12.29	5 1/4	1 1/4	2 3/8	B	6 1/2	1 1/2	4	B
25	12.77	5 1/4	1 1/4	2 3/8	B	6 1/2	1 1/2	4	B
26	13.25	6	1 1/2	2 1/2	B	6 1/2	1 1/2	4	B
28	14.21	6	1 1/2	2 1/2	B				
30	15.17	6	1 1/2	2 1/2	B	6 1/2	1 1/2	4	B
32	16.13	6	1 1/2	2 1/2	B				
35	17.57	6	1 1/2	2 1/2	B	7 1/2	1 1/2	6	B&C
36	18.05	6	1 1/2	2 1/2	B				
40	19.96	6	1 1/2	3 3/4	B&C				
42	20.92	6	1 1/2	3 3/4	B&C				
45	22.35	6	1 1/2	3 3/4	B&C	7 1/2	1 1/2	6	B&C
48	23.79	6	1 1/2	4	B&C				
54	26.65	6	1 1/2	4	B&C				
60	29.52	7	1 1/2	4	B&C	9 1/2	1 1/2	6 1/4	B&C
70	34.3	7 1/2	1 1/2	4 1/2	B&C				
80	39.08	7 1/2	1 1/2	4 1/2	B&C				

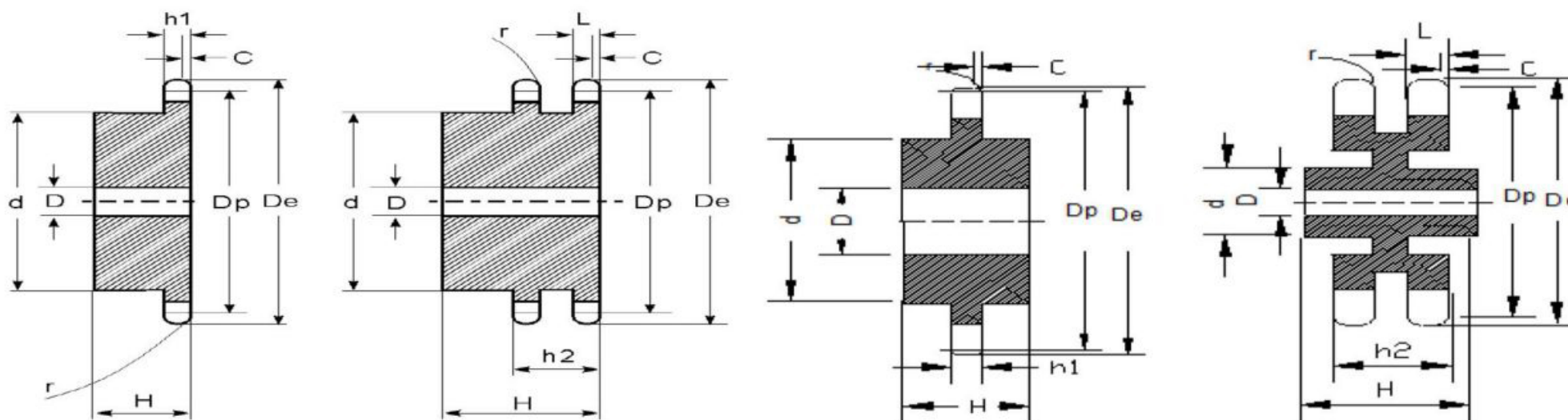


SPROCKETS FOR CHAIN 140-1/140-2 (1 3/4"Pitch)
SPROCKETS TYPE B & TYPE C

Chain: Pitch: 44.45mm
Internal width: 25.22
Roller dia.: 25.4

Sprocket: Tooth radius r:
Radius width C:
Tooth width h1:
Tooth width L:
Tooth width h2:
Tooth width h3:

Full high : -



Teeth	De	Simplex			Type	Duplex			Type
		d	D	H		d	D	H	
11	7.01	4 1/4	1 1/2	2 1/4	B				
12	7.58	4 1/2	1 1/2	2 1/4	B				
13	8.15	5 1/2	1 1/2	2 3/8	B	5	1 5/8	3 3/4	B
14	8.72	5 1/2	1 1/2	2 3/8	B	5 1/2	1 5/8	3 3/4	B
15	9.28	6 1/4	1 1/2	2 3/8	B	6 1/2	1 5/8	3 3/4	B
16	9.85	6 1/4	1 1/2	2 1/2	B	7	1 5/8	4	B
17	10.41	6 1/4	1 1/2	2 1/2	B	7	1 5/8	4	B
18	10.98	6 1/4	1 1/2	2 1/2	B	7	1 3/4	4	B
19	11.54	6 1/4	1 1/2	2 1/2	B	7	1 3/4	4	B
20	12.1	6 1/4	1 1/2	2 1/2	B	7	1 3/4	4	B
21	12.66	6 1/4	1 1/2	2 1/2	B	7	1 3/4	4	B
22	13.22	6 1/4	1 1/2	2 1/2	B	7	1 3/4	4	B
23	13.78	6 1/4	1 1/2	2 1/2	B	7	1 3/4	4	B
24	14.34	6 1/4	1 1/2	2 1/2	B	7	1 3/4	4	B
25	14.9	6 1/4	1 1/2	2 1/2	B	7	1 3/4	4	B
26	15.46	6 1/4	1 1/2	3	B	7	1 3/4	4	B
27	16.02	6 1/4	1 1/2	3	B				
28	16.58	6 1/4	1 1/2	3	B				
30	17.7	6 1/4	1 1/2	3	B				
32	18.82	6 1/4	1 1/2	3	B				
35	20.49	7	1 1/2	4	B&C	7 1/2	1 1/2	6	c
40	23.29	7	1 1/2	4	B&C				
45	26.08	7	1 1/2	4	B&C	7 1/2	1 1/2	6	c
48	27.75	7	1 1/2	4	B&C				
54	31.1	7	1 1/2	4	B&C				
60	34.44	7	1 1/2	5	B&C	9 1/2	1 1/2	6 1/4	c
70	40.02	7 1/2	1 1/2	5	B&C				
80	45.59	7 1/2	1 1/2	5	B&C				

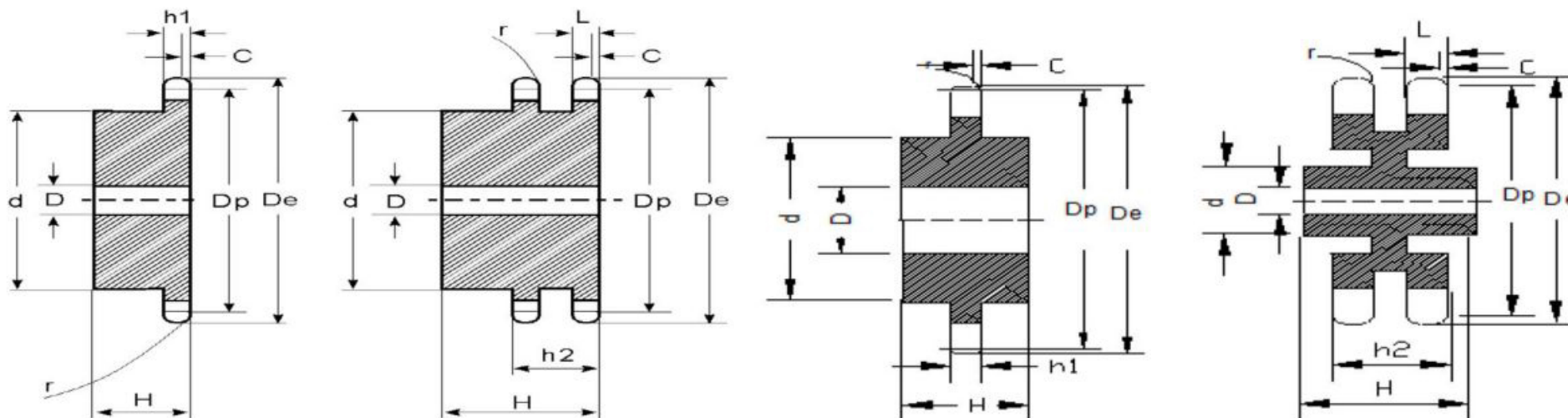


SPROCKETS FOR CHAIN 160-1/160-2 (2"Pitch)
SPROCKETS TYPE B & TYPE C

Chain: Pitch: 50.8mm
Internal width: 31.55
Roller dia.: 28.58

Sprocket: Tooth radius r:
Radius width C:
Tooth width h1:
Tooth width L:
Tooth width h2;
Tooth width h3:

Full highh : -



Teeth	De	Simplex			Type	Duplex			Type
		d	D	H		d	D	H	
8	6.03	3 1/4	1 1/2	2 1/4	B				
9	6.7	3 5/8	1 1/2	2 1/4	B				
10	7.36	4 1/8	1 1/2	2 1/4	B				
11	8.01	4 3/4	1 1/2	2 1/2	B				
12	8.66	5 1/2	1 1/2	2 1/2	B				
13	9.31	6	1 1/2	2 3/4	B	6	2	4 3/4	B
14	9.96	6 1/2	1 1/2	2 3/4	B	6 3/4	2	4 3/4	B
15	10.61	7	1 1/2	2 3/4	B	7	2	4 3/4	B
16	11.26	7	1 1/2	2 3/4	B	7	2	4 3/4	B
17	11.9	7	1 1/2	2 3/4	B	7	2	4 3/4	B
18	12.54	7	1 1/2	2 3/4	B	7	2	4 3/4	B
19	13.19	7	1 1/2	2 3/4	B	7	2	4 3/4	B
20	13.83	7	1 1/2	2 3/4	B	7	2	4 3/4	B
21	14.47	7	1 1/2	2 3/4	B	7 1/2	2	4 3/4	B
22	15.11	7	1 1/2	2 3/4	B	7 1/2	2	4 3/4	B
23	15.75	7	1 1/2	2 3/4	B	7 1/2	2	4 3/4	B
24	16.39	7	1 1/2	3	B	7 1/2	2	4 3/4	B
25	17.03	7	1 1/2	3	B	7 1/2	2	4 3/4	B
26	17.67	7	1 1/2	3	B	7 1/2	2	4 3/4	B
27	18.31	7	1 1/2	3	B				
28	18.95	7	1 1/2	3	B				
30	20.23	7	1 1/2	3	B				
35	23.42	8	1 1/2	4 1/2	B&C	9 1/2	1 1/2	6 5/8	B&C
40	26.61	8	1 1/2	4 1/2	B&C				B&C
45	29.8	8	1 1/2	5	B&C	10	1 1/2	7 1/8	B&C
54	35.54	8	1 1/2	5	B&C				B&C
60	39.36	8	1 1/2	5	B&C	10	1 1/2	7 1/8	B&C
70	45.73	8	1 1/2	5	B&C				B&C
80	52.1	8	1 1/2	6	B&C				B&C

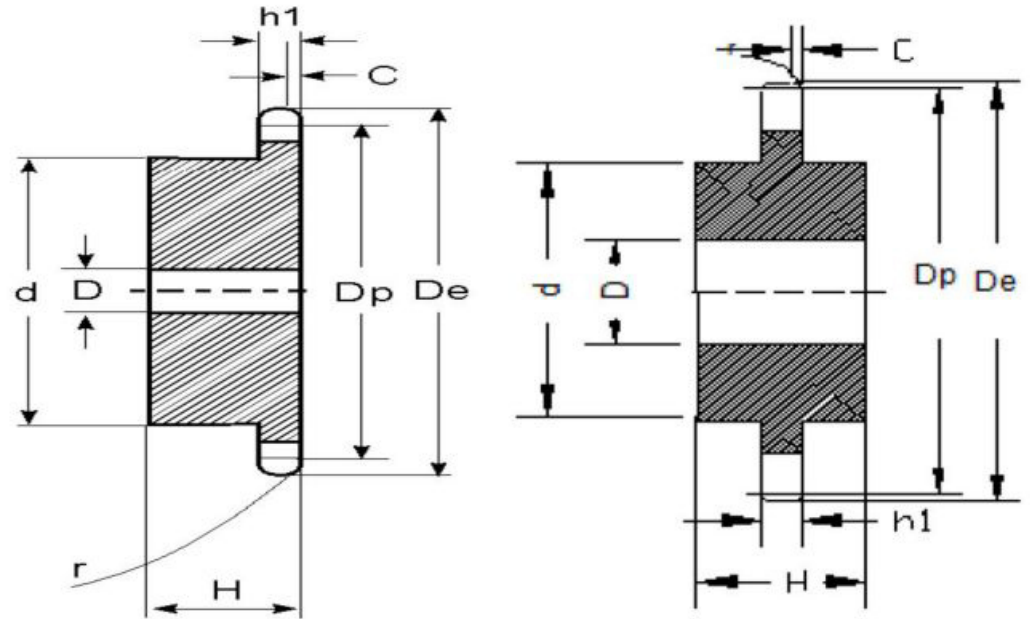


SPROCKETS FOR CHAIN 180-1 (2 1/4"Pitch)
SPROCKETS TYPE B & TYPE C

Chain: Pitch: 57.15mm
Internal width: 35.48
Roller dia.: 35.71

Sprocket: Tooth radius r:
Radius width C:
Tooth width h1:
Tooth width L:
Tooth width h2:
Tooth width h3:

Full high H: -



Teeth	De	Simplex			Type
		d	D	H	
11	9.01	5 1/2	1 1/2	3	B
12	9.75	6	1 1/2	3	B
13	10.48	6 3/4	1 1/2	3 1/8	B
14	11.21	7	1 1/2	3 1/8	B
15	11.93	7	1 1/2	3 1/8	B
16	12.66	7	1 1/2	3 1/8	B
17	13.39	7	1 1/2	3 1/8	B
18	14.11	7	1 1/2	3 1/8	B
19	14.83	7 1/2	1 1/2	3 3/8	B
20	15.56	7 1/2	1 1/2	3 3/8	B
21	16.28	7 1/2	1 1/2	3 3/8	B
22	17	7 1/2	1 1/2	3 3/8	B
23	17.72	7 1/2	1 1/2	3 3/8	B
24	18.44	7 1/2	1 1/2	3 3/8	B
25	19.16	7 1/2	1 1/2	3 3/8	B
28	21.32	8	1 1/2	3 1/2	B
30	22.76	8 1/2	1 1/2	4 3/8	C
35	26.35	8 1/2	1 1/2	4 3/8	C
40	29.94	8 1/2	1 1/2	4 3/8	C
45	33.53	9	1 1/2	5	C
54	39.98	9	1 1/2	5	C
60	44.28	9 1/2	1 1/2	5 3/8	C

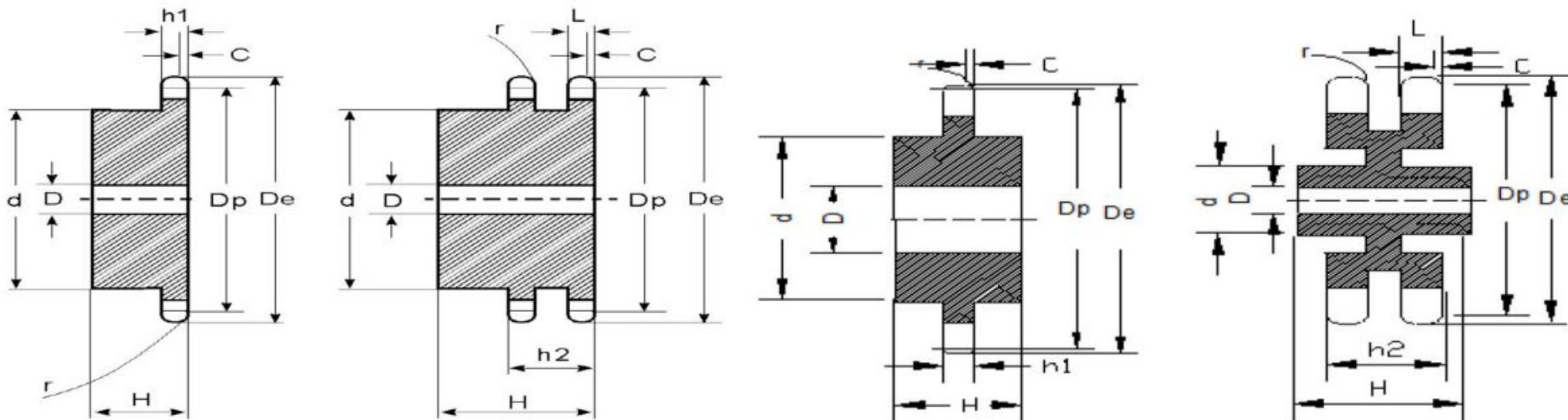


SPROCKETS FOR CHAIN 200-1 /200-2 (2 1/2"Pitch)
SPROCKETS TYPE B & TYPE C

Chain: Pitch: 63.5mm
Internal width: 37.85
Roller dia.: 39.68

Sprocket: Tooth radius r:
Radius width C:
Tooth width h1:
Tooth width L:
Tooth width h2:
Tooth width h3:

Full highht : -



Teeth	De	Simplex			Type	Duplex			Type
		d	D	H		d	D	H	
10	9.2	5 1/2	1 1/2	3	B				
11	10.02	6	1 1/2	3	B	5 1/2	2	5 7/8	B
12	10.83	6 1/2	1 1/2	3	B	6 1/2	2	6 1/4	B
13	11.64	7	1 1/2	3	B	7	2	6 3/8	B
14	12.46	7 1/2	1 1/2	3 1/2	B	8	2	6 3/8	B
15	13.26	7 1/2	1 1/2	3 1/2	B	8 1/2	2	6 3/8	B
16	14.07	7 1/2	1 1/2	3 1/2	B	8 1/2	2	6 5/8	B
17	14.87	7 1/2	1 1/2	3 1/2	B	8 1/2	2	6 5/8	B
18	15.68	7 1/2	1 1/2	3 1/2	B	8 1/2	2	6 5/8	B
19	16.48	7 1/2	1 1/2	3 1/2	B	8 1/2	2	6 5/8	B
20	17.29	7 1/2	1 1/2	3 1/2	B	8 1/2	2	6 5/8	B
21	18.09	7 1/2	1 1/2	3 1/2	B	8 1/2	2	6 5/8	B
22	18.89	8 1/2	1 1/2	4	B	8 1/2	2	6 5/8	B
23	19.69	8 1/2	1 1/2	4	B	8 1/2	2	6 5/8	B
24	20.49	8 1/2	1 1/2	4	B	8 1/2	2	6 5/8	B
25	21.29	8 1/2	1 1/2	4	B	8 1/2	2	6 5/8	B
26	22.09	8 1/2	1 1/2	4 1/2	B&C	8 1/2	2	6 5/8	B
28	23.69	8 1/2	1 1/2	4 1/2	B&C				
30	25.29	8 1/2	1 1/2	4 1/2	B&C				
32	26.88	8 1/2	1 1/2	4 1/2	B&C				
35	29.28	8 1/2	1 1/2	4 1/2	B&C				
40	33.27	9	1 1/2	5	B&C				
45	37.25	9	1 1/2	5	B&C	10	1 1/2	8 1/2	B&C
54	44.42	9 1/2	1 1/2	5 1/2	B&C				
60	49.2	9 1/2	1 1/2	5 1/2	B&C	10	1 1/2	9	B&C

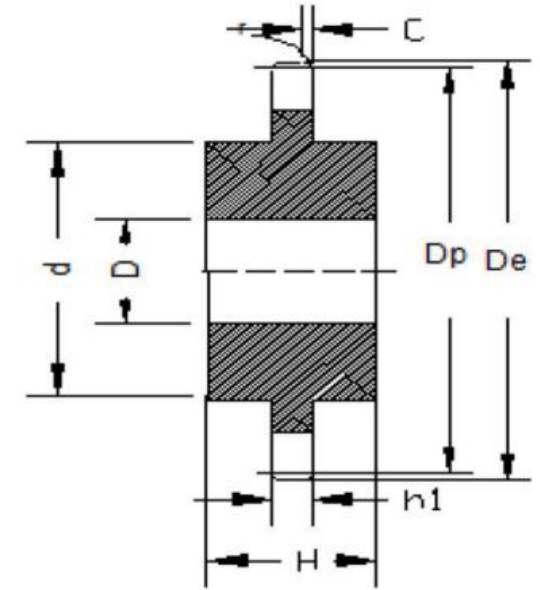
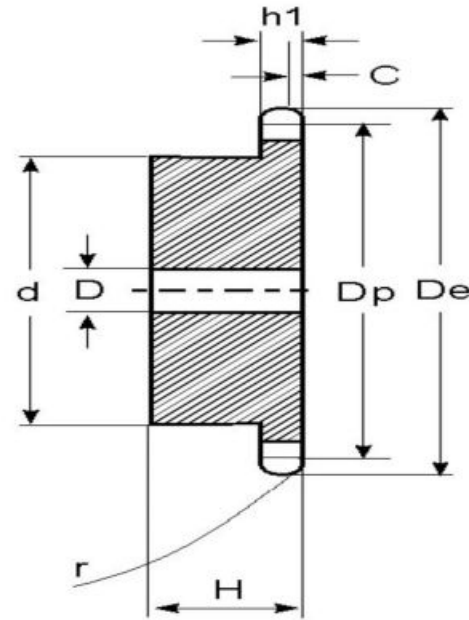


SPROCKETS FOR CHAIN 240-1 (3"Pitch)
SPROCKETS TYPE B & TYPE C

Chain: Pitch: 12.7mm
Internal width:
Roller dia.:

Sprocket: Tooth radius r:
Radius width C:
Tooth width h1:
Tooth width L:
Tooth width h2:
Tooth width h3:

Full high H: -



Teeth	De	Simplex			Type
		d	D	H	
10	11.03	6 1/2	1 1/2	3 3/8	B
11	12.02	7	1 1/2	3 7/8	B
12	13	7 1/2	1 1/2	3 7/8	B
13	13.97	7 1/2	1 1/2	3 7/8	B
14	14.94	7 1/2	1 1/2	3 7/8	B
15	15.91	7 1/2	1 1/2	3 7/8	B
16	16.88	8	1 1/2	4 1/8	B
17	17.85	8	1 1/2	4 1/8	B
18	18.81	8	1 1/2	4 1/8	B
19	19.78	8	1 1/2	4 1/8	B
20	20.74	8	1 1/2	4 1/8	B
21	21.71	8	1 1/2	4 1/8	B
25	25.55	8	1 1/2	4 1/8	B
30	30.34	9	1 1/2	6 1/4	C
35	35.13	9	1 1/2	6 1/4	C
40	39.92	10	1 1/2	6 3/4	C
45	44.7	10	1 1/2	6 3/4	C
54	53.31	10	1 1/2	6 3/4	C
60	59.04	10	1 1/2	6 3/4	C