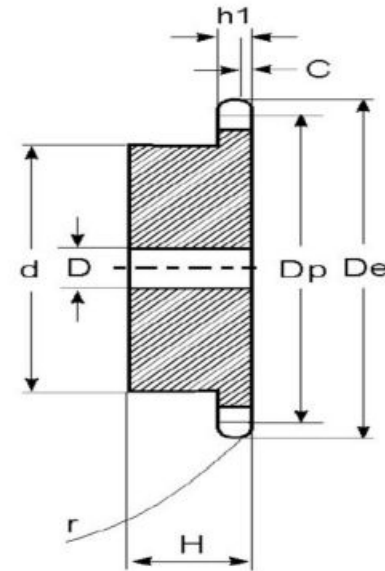




**STAINLESS STEEL SPROCKETS FOR CHAIN 25-1(1/4" Pitch)
SPROCKETS TYPE B**

Chain: Pitch: 6.35mm
Internal width: 3.18mm
Roller dia.: 3.3mm

Sprocket: Tooth radius r:
Radius width C:
Tooth width h1:
Tooth width L:
Tooth width h2:
Tooth width h3:
Full high H: -



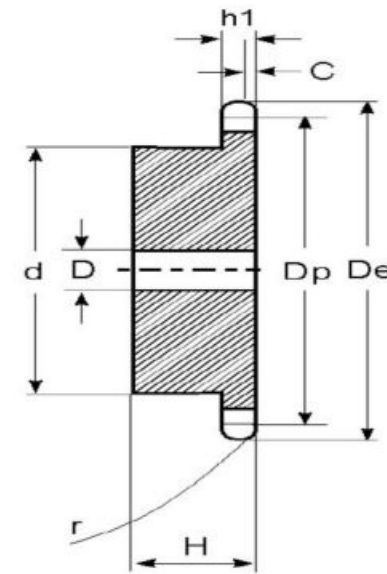
Teeth	De	Simplex			Type
		d	D	H	
9	0.837	7/16	1/4	1/2	B
10	0.919	1/2	1/4	1/2	B
11	1.002	9/16	1/4	1/2	B
12	1.083	5/8	1/4	1/2	B
13	1.167	23/32	1/4	1/2	B
14	1.246	13/16	1/4	1/2	B
15	1.326	57/64	1/4	1/2	B
16	1.407	31/32	1/4	1/2	B
17	1.487	1 1/32	1/4	1/2	B
18	1.568	1 1/8	1/4	1/2	B
19	1.648	1 7/32	1/4	1/2	B
20	1.729	1 9/32	1/4	5/8	B
21	1.809	1 3/8	1/4	5/8	B
22	1.889	1 7/16	1/4	5/8	B
23	1.969	1 1/2	1/4	5/8	B
24	2.049	1 1/2	3/8	5/8	B
25	2.129	1 1/2	3/8	5/8	B
26	2.209	1 1/2	3/8	5/8	B
28	2.369	1 1/2	3/8	5/8	B
30	2.529	1 1/2	3/8	5/8	B
36	3.008	1 1/2	3/8	3/4	B
40	3.327	2	1/2	3/4	B
45	3.725	2	1/2	3/4	B
60	4.92	2	1/2	3/4	B



**STAINLESS STEEL SPROCKETS FOR CHAIN 35-1(3/8" Pitch)
SPROCKETS TYPE B**

Chain: Pitch: 9.525mm
Internal width: 4.77mm
Roller dia.: 5.08mm

Sprocket: Tooth radius r:
Radius width C:
Tooth width h1:
Tooth width L:
Tooth width h2:
Tooth width h3:
Full high H: -



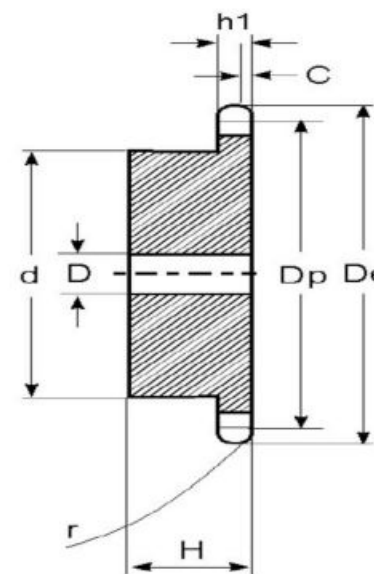
Teeth	De	Simplex			Type
		d	D	H	
9	1.26	27/32★	3/8	3/4	B
10	1.38	31/32★	3/8	3/4	B
11	1.5	1 1/16★	3/8	3/4	B
12	1.63	1 7/32★	1/2	3/4	B
13	1.75	1 1/4★	1/2	3/4	B
14	1.87	1 1/4	1/2	3/4	B
15	1.99	1 11/32	1/2	3/4	B
16	2.11	1 15/32	1/2	3/4	B
17	2.23	1 19/32	1/2	3/4	B
18	2.35	1 23/32	1/2	3/4	B
19	2.47	1 27/32	1/2	3/4	B
20	2.59	1 15/16	1/2	3/4	B
21	2.71	2	1/2	7/8	B
22	2.83	2	1/2	7/8	B
23	2.95	2	1/2	7/8	B
24	3.07	2	1/2	7/8	B
25	3.19	2	1/2	7/8	B
26	3.31	2	1/2	7/8	B
28	3.55	2	1/2	7/8	B
30	3.79	2	1/2	7/8	B
35	4.39	2 1/4	5/8	7/8	B
40	4.99	2 1/4	5/8	1	B
45	5.59	2 1/4	5/8	1	B
60	7.38	2 1/4	3/4	1	B



STAINLESS STEEL SPROCKETS FOR CHAIN 40-1(1/2" Pitch)
SPROCKETS TYPE B

Chain: Pitch: 12.7mm
Internal width: 7.85mm
Roller dia.: 7.92mm

Sprocket: Tooth radius r:
Radius width C:
Tooth width h1:
Tooth width L:
Tooth width h2:
Tooth width h3:
Full high H: -



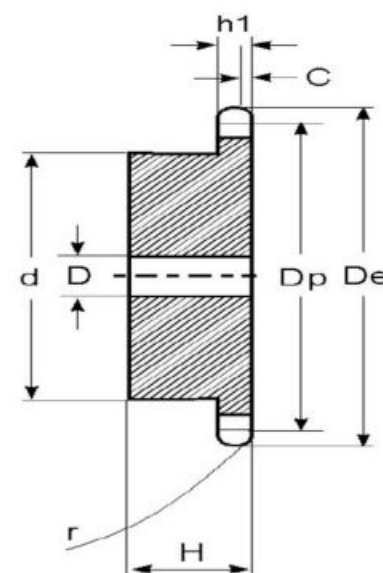
Teeth	De	Simplex			Type
		d	D	H	
10	1.84	1 1/4★	1/2	7/8	B
11	2	1 3/8★	1/2	7/8	B
12	2.17	1 9/16★	1/2	7/8	B
13	2.33	1 9/16	1/2	7/8	B
14	2.49	1 11/16	1/2	7/8	B
15	2.65	1 13/16	5/8	7/8	B
16	2.81	2	5/8	7/8	B
17	2.98	2 1/8	5/8	1	B
18	3.14	2 5/16	5/8	1	B
19	3.3	2 1/2	5/8	1	B
20	3.46	2 5/8	5/8	1	B
21	3.62	2 3/4	5/8	1	B
22	3.78	2 7/8	5/8	1	B
23	3.94	3	5/8	1	B
24	4.1	3 1/4	5/8	1	B
25	4.26	3 1/4	5/8	1	B
26	4.42	3 1/4	5/8	1	B
28	4.74	3 1/4	5/8	1	B
30	5.06	3 1/4	5/8	1	B
35	5.86	3 1/4	5/8	1	B
40	6.65	3 1/2	3/4	1	B
45	7.45	3 1/2	3/4	1	B
60	9.84	3 1/2	3/4	1	B



**STAINLESS STEEL SPROCKETS FOR CHAIN 50-1(5/8" Pitch)
SPROCKETS TYPE B**

Chain: Pitch: 15.875mm
Internal width: 9.4mm
Roller dia.: 10.16mm

Sprocket: Tooth radius r:
Radius width C:
Tooth width h1:
Tooth width L:
Tooth width h2:
Tooth width h3:
Full high H: -



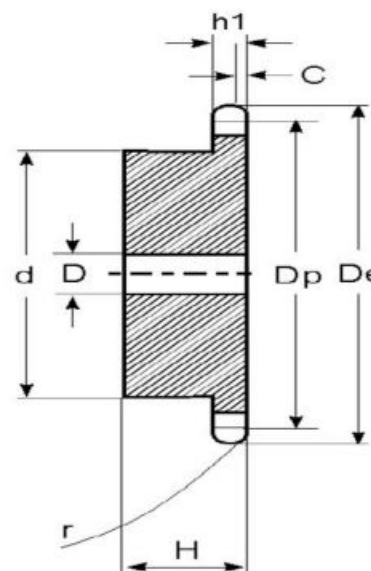
Teeth	De	Simplex			Type
		d	D	H	
10	2.3	1 9/16★	5/8	1	B
11	2.5	1 3/4★	5/8	1	B
12	2.71	1 63/64★	5/8	1	B
13	2.91	1 7/8	5/8	1	B
14	3.11	2 1/8	5/8	1	B
15	3.32	2 3/8	5/8	1	B
16	3.52	2 1/2	5/8	1	B
17	3.72	2 11/16	5/8	1	B
18	3.92	2 7/8	5/8	1	B
19	4.12	2 1/2	5/8	1	B
20	4.32	2 1/2	3/4	1	B
21	4.52	3	3/4	1	B
22	4.72	3	3/4	1	B
23	4.92	3	3/4	1	B
24	5.12	3	3/4	1 1/4	B
25	5.32	3	3/4	1 1/4	B
26	5.52	3	3/4	1 1/4	B
28	5.92	3	3/4	1 1/4	B
30	6.32	3 1/4	3/4	1 1/4	B
35	7.32	3 1/4	3/4	1 1/4	B
40	8.32	3 1/4	3/4	1 1/4	B
45	9.31	3 1/2	3/4	1 1/4	B
60	12.3	3 1/2	1	1 1/4	B



**STAINLESS STEEL SPROCKETS FOR CHAIN 60-1(3/4" Pitch)
SPROCKETS TYPE B**

Chain: Pitch: 19.05mm
Internal width: 12.57mm
Roller dia.: 11.91mm

Sprocket: Tooth radius r:
Radius width C:
Tooth width h1:
Tooth width L:
Tooth width h2:
Tooth width h3:
Full high H: -



Teeth	De	Simplex			Type
		d	D	H	
12	3.25	2 3/8★	3/4	1 1/4	B
13	3.49	2 11/32	3/4	1 1/4	B
14	3.74	2 9/16	3/4	1 1/4	B
15	3.98	2 7/8	3/4	1 1/4	B
16	4.22	3 1/16	3/4	1 1/4	B
17	4.466	3 1/4	3/4	1 1/4	B
18	4.7	3 1/2	3/4	1 1/4	B
19	4.95	3 1/2	3/4	1 1/4	B
20	5.19	3 7/8	3/4	1 1/4	B
21	5.43	4	3/4	1 1/4	B
22	5.67	4	3/4	1 1/4	B
23	5.91	4	3/4	1 1/4	B
24	6.15	4	3/4	1 1/4	B
25	6.39	4	3/4	1 1/4	B
26	6.63	4	3/4	1 1/4	B
28	7.11	4	3/4	1 1/4	B
30	7.59	4	3/4	1 1/4	B
35	8.78	4	1	1 1/4	B
40	9.98	4 1/4	1	1 1/4	B
45	11.18	4 1/4	1	1 1/4	B
60	14.76	4 1/4	1 1/4	1 3/4	B