

推荐安装尺寸: Recommended Dimensions:

轴: h8 Shaft: h8 毂: H8 Hub: H8

类似JB/T 7934 Z13标准

Similar to JB/T 7934 Z13 Standard

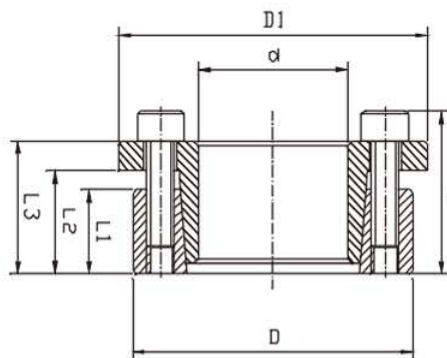
| 尺寸 Dimensions | | | | | | | 传递的轴向力 Transmitted Axial Force | 传递扭矩 Transmitted Torque | 接触面压强 Contacting Pressure | | DIN912-12.9级锁紧螺钉 DIN912-12.9 Locking Screw | | |
|------------------|----------|-----------|-----|-----|-----|-----|--------------------------------------|-------------------------------|------------------------------|-------------------|---|-------------|---------|
| Φd | ΦD | $\Phi D1$ | L1 | L2 | L3 | L | | | Ft | Mt | 轴 Shaft P | 毂 Hub P1 | 数量 n |
| mm | mm | mm | mm | mm | mm | mm | KN | Nm | N/mm ² | N/mm ² | | | |
| 200 | 260 | 266 | 51 | 59 | 84 | 98 | 464 | 46418 | 134 | 103 | 15 | M14x45 | 230 |
| 220 | 285 | 291 | 64 | 72 | 100 | 116 | 501 | 55147 | 105 | 81 | 12 | M16X60 | 355 |
| 240 | 305 | 311 | 64 | 72 | 100 | 116 | 627 | 75207 | 120 | 95 | 15 | M16X60 | 355 |
| 260 | 325 | 331 | 64 | 72 | 100 | 116 | 752 | 97775 | 133 | 107 | 18 | M16X60 | 355 |
| 280 | 355 | 361 | 75 | 83 | 123 | 141 | 812 | 113657 | 114 | 90 | 16 | M18X80 | 485 |
| 300 | 375 | 381 | 75 | 83 | 123 | 141 | 913 | 136987 | 120 | 96 | 18 | M18X80 | 485 |
| 320 | 405 | 411 | 90 | 98 | 142 | 162 | 1170 | 187177 | 120 | 95 | 18 | M20X100 | 690 |
| 340 | 425 | 431 | 90 | 98 | 142 | 162 | 1365 | 232015 | 132 | 105 | 21 | M20X100 | 690 |
| 360 | 455 | 461 | 110 | 118 | 166 | 188 | 1433 | 257988 | 107 | 84 | 18 | M22X110 | 930 |
| 380 | 475 | 481 | 110 | 118 | 166 | 188 | 1672 | 317711 | 118 | 94 | 21 | M22X110 | 930 |
| 400 | 495 | 501 | 100 | 118 | 166 | 188 | 1672 | 334433 | 123 | 100 | 21 | M22X110 | 930 |

推荐安装尺寸:

Recommended Dimensions:

轴: h8 Shaft: h8

毂: H8 Hub: H8



类似JB/T 7934 Z8标准

Similar to JB/T 7934 Z8 Standard

| 尺寸 Dimensions | | | | | | | 传递的轴向力 Transmitted Axial Force | 传递扭矩 Transmitted Torque | 接触面压强 Contacting Pressure | | DIN912-12.9级锁紧螺钉 DIN912-12.9 Locking Screw | | |
|------------------|----------|-----------|----|----|----|----|--------------------------------------|-------------------------------|------------------------------|-------------------|---|-------------|---------|
| Φd | ΦD | $\Phi D1$ | L1 | L2 | L3 | L | | | Ft | Mt | 轴 Shaft P | 毂 Hub P1 | 数量 n |
| mm | mm | mm | mm | mm | mm | mm | KN | Nm | N/mm ² | N/mm ² | | | |
| 19 | 47 | 56 | 17 | 22 | 28 | 34 | 26 | 243 | 234 | 94 | 5 | M6x20 | 17 |
| 20 | 47 | 56 | 17 | 22 | 28 | 34 | 26 | 256 | 222 | 94 | 5 | M6x20 | 17 |
| 22 | 47 | 56 | 17 | 22 | 28 | 34 | 26 | 282 | 202 | 94 | 5 | M6x20 | 17 |
| 24 | 50 | 59 | 17 | 22 | 28 | 34 | 31 | 368 | 222 | 106 | 6 | M6x20 | 17 |
| 25 | 50 | 59 | 17 | 22 | 28 | 34 | 31 | 383 | 213 | 106 | 6 | M6x20 | 17 |
| 28 | 55 | 64 | 17 | 22 | 28 | 34 | 31 | 429 | 190 | 97 | 6 | M6x20 | 17 |
| 30 | 55 | 64 | 17 | 22 | 28 | 34 | 31 | 460 | 177 | 97 | 6 | M6x20 | 17 |
| 32 | 60 | 69 | 17 | 22 | 28 | 34 | 41 | 655 | 222 | 118 | 8 | M6x20 | 17 |
| 35 | 60 | 69 | 17 | 22 | 28 | 34 | 41 | 716 | 203 | 118 | 8 | M6x20 | 17 |
| 38 | 65 | 74 | 17 | 22 | 28 | 34 | 41 | 778 | 187 | 109 | 8 | M6x20 | 17 |
| 40 | 65 | 74 | 17 | 22 | 28 | 34 | 41 | 819 | 178 | 109 | 8 | M6x20 | 17 |